

SK 14

Order No.: 3025176



<http://eshop.phoenixcontact.de/phoenix/treeViewClick.do?UID=3025176>

Shield connection terminal block, for applying the shield to busbars,
type SK 14

Commercial data

EAN	4017918130305
Pack	10 pcs.
Customs tariff	85369010
Weight/Piece	0.02036 KG
Catalog page information	Page 678 (CL-2009)

Product notes

WEEE/RoHS-compliant since:
02/15/2005



<http://www.download.phoenixcontact.com>
Please note that the data given here has been taken from the online catalog. For comprehensive information and data, please refer to the user documentation. The General Terms and Conditions of Use apply to Internet downloads.

Technical data

General

Color	silver
-------	--------

Connection data

Tightening torque max	0.8 Nm
-----------------------	--------

Accessories

Item	Designation	Description
------	-------------	-------------

Assembly

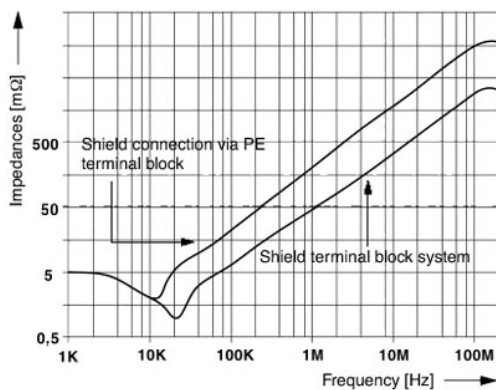
3025341	AB-SK	Support for busbars
0404428	AB/SS	Support made of insulating material, with retaining screw, for use with either 3 x 10 mm or 6 x 6 mm busbar, color: gray
0402174	NLS-CU 3/10 SN 1000MM	PEN conductor busbar, 3mm x 10 mm, length: 1000 mm

General

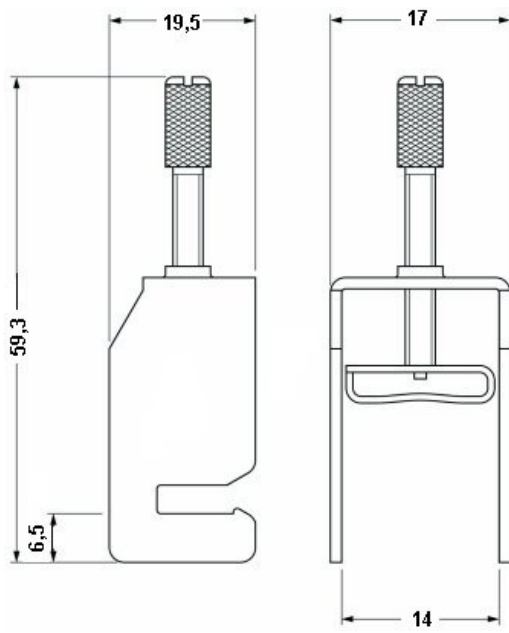
0404017	AK 4	Power terminal block, Load current : 41 A, Cross section: 0.5 mm ² - 6 mm ² , Width: 7 mm, Color: gray
0421032	AKG 4 BK	Power terminal block, Load current : 41 A, Cross section: 0.5 mm ² - 6 mm ² , Width: 7 mm, Color: black
0421029	AKG 4 GNYE	Power terminal block, Load current : 41 A, Cross section: 0.5 mm ² - 6 mm ² , Width: 7 mm, Color: green-yellow

Diagrams/Drawings

Diagram



Dimensioned drawing



SK 14 Order No.: 3025176

<http://eshop.phoenixcontact.de/phoenix/treeViewClick.do?UID=3025176>

Address

PHOENIX CONTACT Deutschland GmbH
Flachmarktstr. 8
32825 Blomberg, Germany
Phone +49 5235 3 12000
Fax +49 5235 3 41200
<http://www.phoenixcontact.de>



© 2010 Phoenix Contact
Technical modifications reserved;