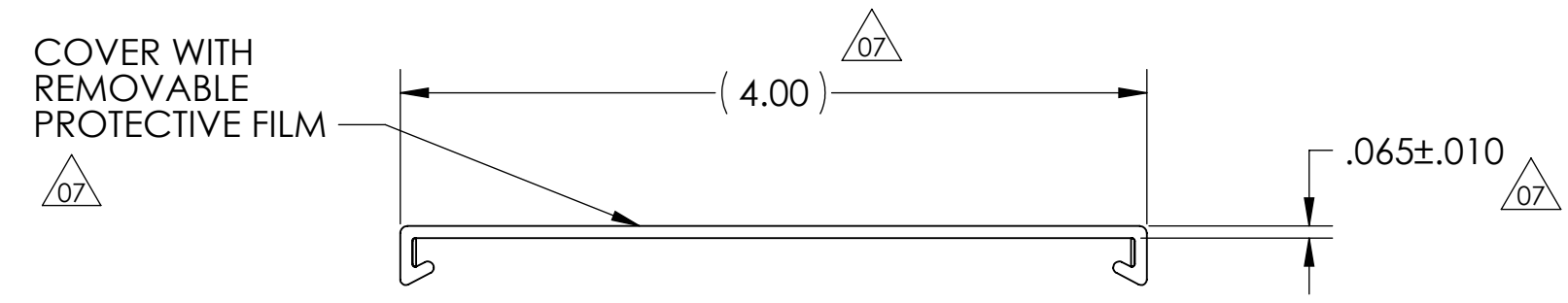
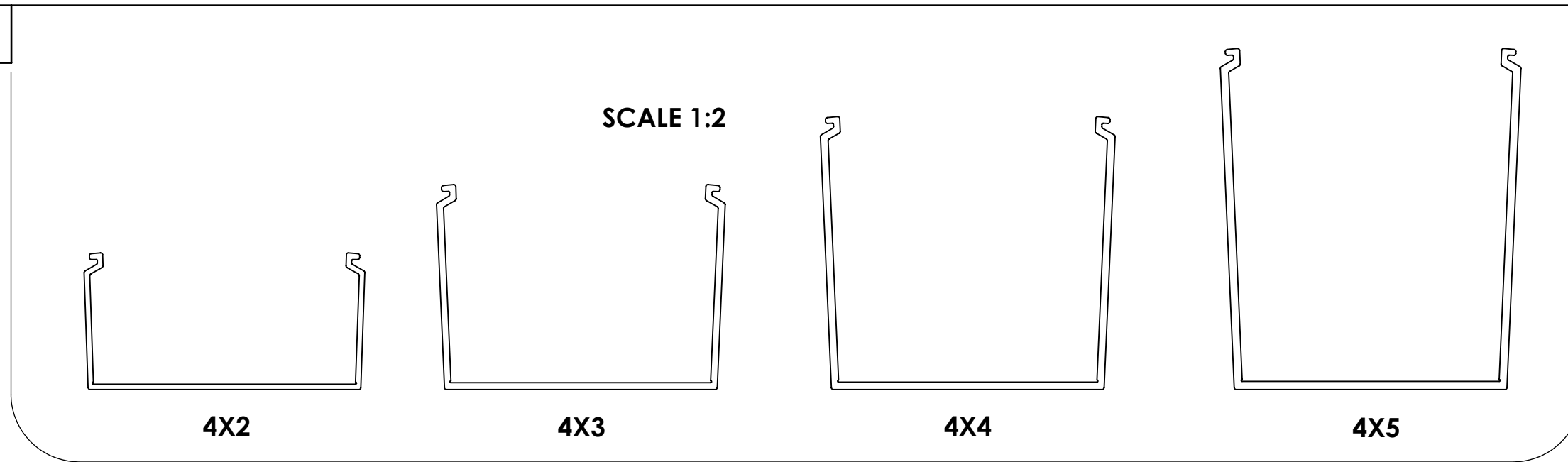
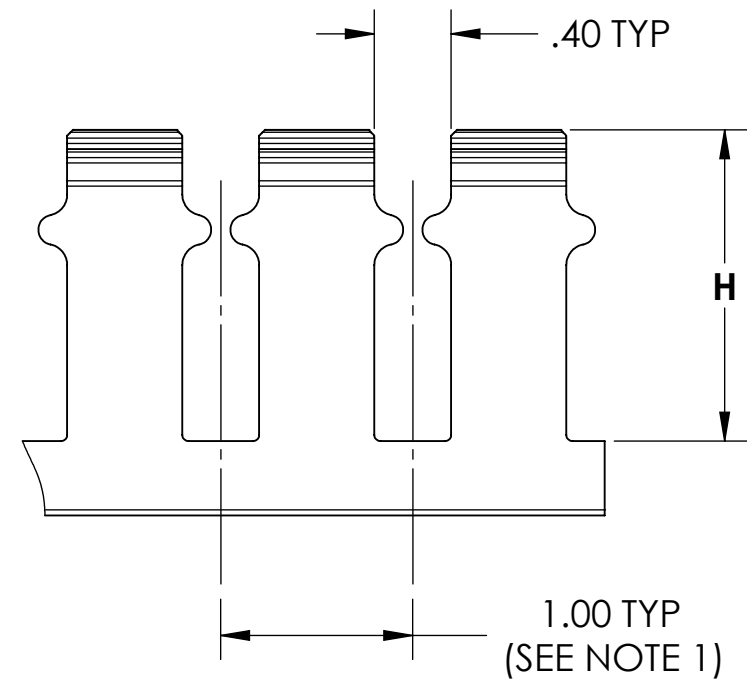


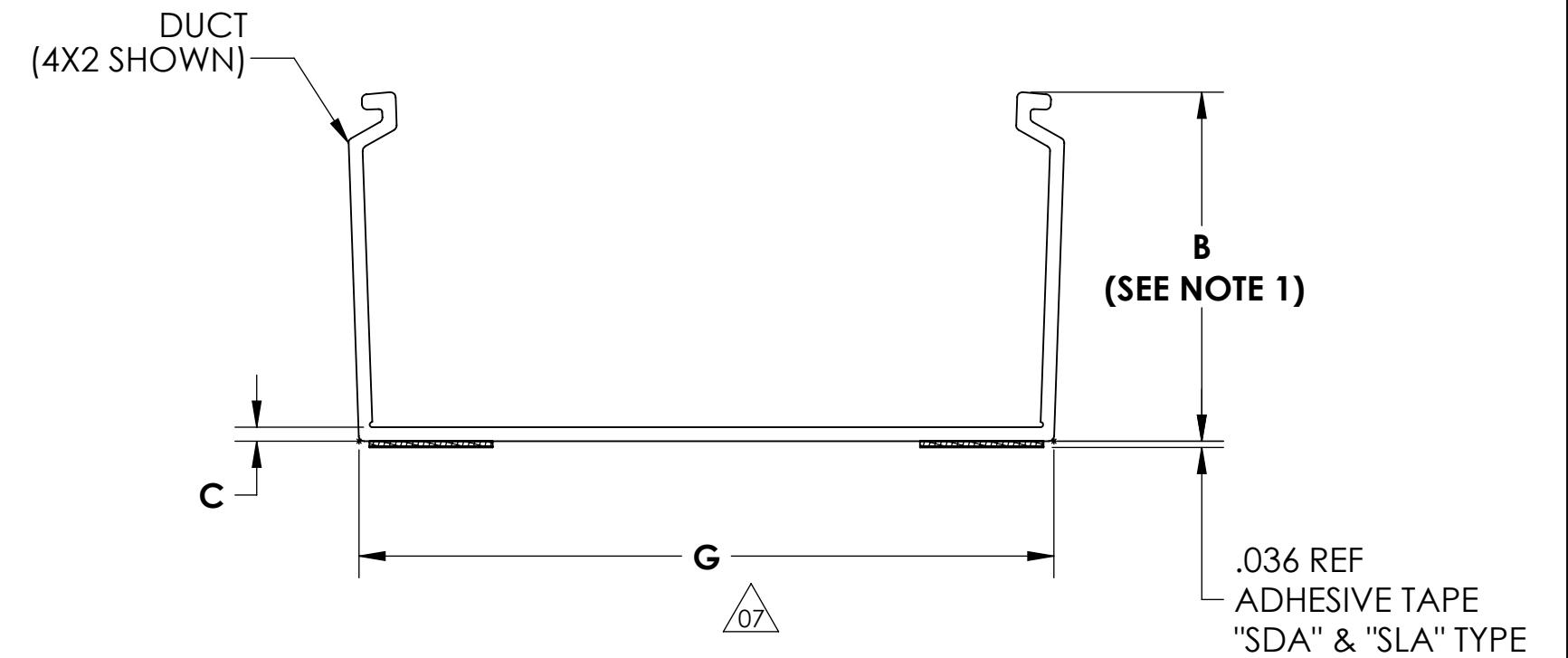
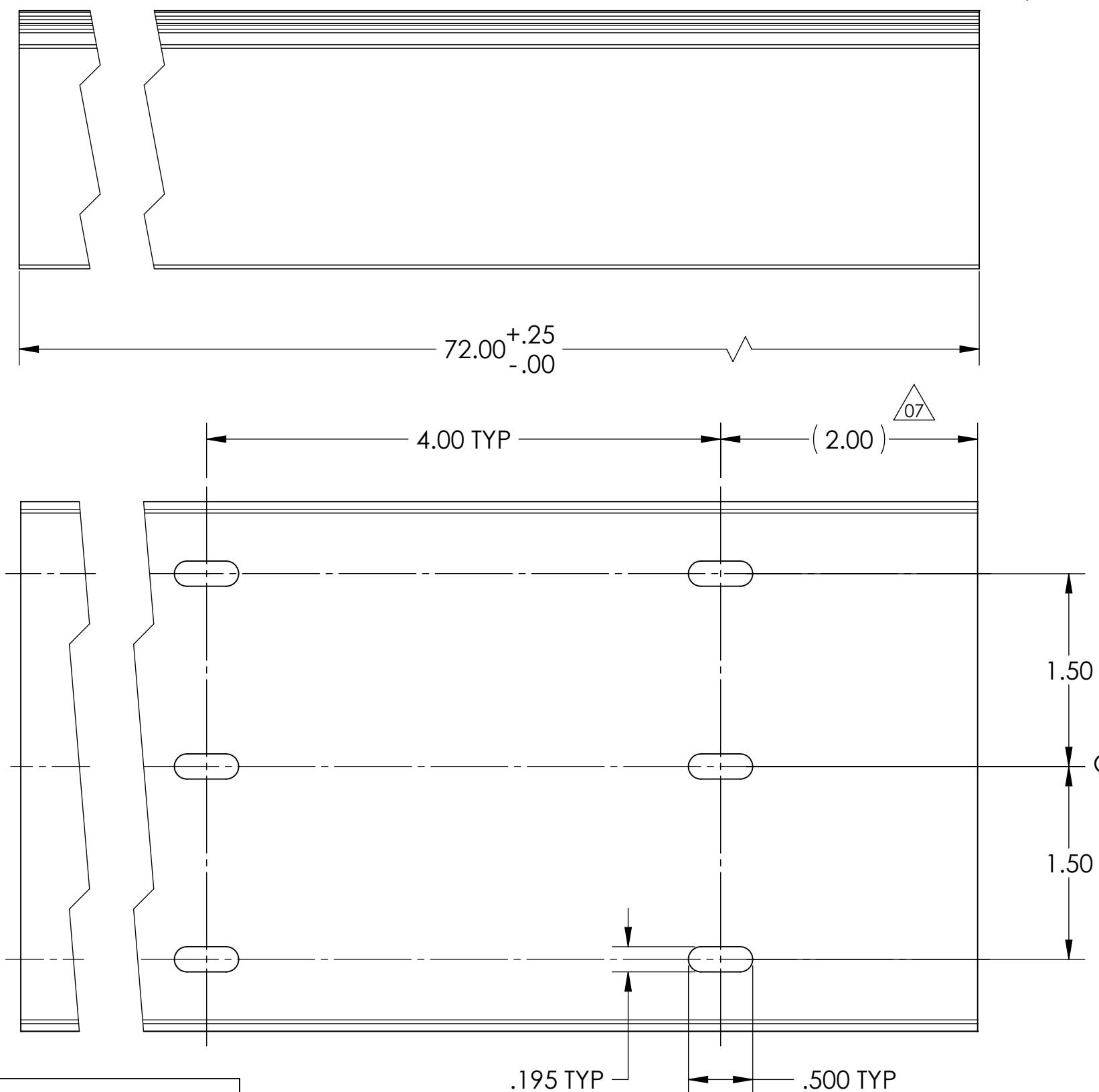
Revision level		Revision Record	Changed	Date	Approved	Date
Drawing	Part					
07	-	SEE ECN# 100016	MHT	01/09/2012	MHT	02/06/2012



SLOTTED WALL DUCT
TYPE "SL4X2" "SL4X3" "SL4X4" "SL4X5"



SOLID WALL DUCT
TYPE "SD"



50% WIRE FILL CAPACITY
WIRE O.D.

DUCT SIZE (WxH)	DUCT AREA (Sq. In.)	TWISTED PAIR 24 AWG UNSHIELDED								
		12AWG		14AWG		16AWG				
		12AWG	14AWG	16AWG	18AWG	22AWG	24AWG			
4X2	7.288	.158	.165	.139	.125	.113	.065	4 Pr. Cat 5e	4 Pr. Cat 6	4 Pr. Cat 6a
4X3	10.932	186	171	240	297	364	1099	99	81	37
4X4	14.619	279	256	360	446	545	1648	148	121	56
4X5	18.266	373	342	482	596	729	2204	198	162	74
		466	427	602	745	911	2754	247	202	93

TYPE NUMBER	DESCRIPTION	MOUNTING METHOD	B (SEE NOTE 1)	C	G	H
TC4	COVER	-	-	-	-	-
SD4X2	SOLID DUCT	SCREW	2.008 +.025/-0.020	.080 +/- .005	4.000 +/- .025	-
SD4X3	"	"	3.009 +.035/-0.020	.100 +/- .007	4.000 +/- .029	-
SD4X4	"	"	4.008 +.045/-0.020	.110 +/- .008	4.000 +/- .031	-
SD4X5	"	"	5.007 +.055/-0.020	.120 +/- .009	4.000 +/- .033	-
SDA4X2	SOLID DUCT W/ADHES.	ADHESIVE TAPE	2.008 +.025/-0.020	.080 +/- .005	4.000 +/- .025	-
SDA4X3	"	"	3.009 +.035/-0.020	.100 +/- .007	4.000 +/- .029	-
SDA4X4	"	"	4.008 +.045/-0.020	.110 +/- .008	4.000 +/- .031	-
SDA4X5	"	"	5.007 +.055/-0.020	.120 +/- .009	4.000 +/- .033	-
SL4X2	SLOTTED DUCT	SCREW	2.008 +.025/-0.020	.080 +/- .005	4.000 +/- .025	1.620 ± .015
SL4X3	"	"	3.009 +.035/-0.020	.100 +/- .007	4.000 +/- .029	2.600 ± .015
SL4X4	"	"	4.008 +.045/-0.020	.110 +/- .008	4.000 +/- .031	3.600 ± .015
SL4X5	"	"	5.007 +.055/-0.020	.120 +/- .009	4.000 +/- .033	4.600 ± .015
SLA4X2	SLOTTED DUCT W/ADHES.	ADHESIVE TAPE	2.008 +.025/-0.020	.080 +/- .005	4.000 +/- .025	1.620 ± .015
SLA4X3	"	"	3.009 +.035/-0.020	.100 +/- .007	4.000 +/- .029	2.600 ± .015
SLA4X4	"	"	4.008 +.045/-0.020	.110 +/- .008	4.000 +/- .031	3.600 ± .015
SLA4X5	"	"	5.007 +.055/-0.020	.120 +/- .009	4.000 +/- .033	4.600 ± .015

Notes
1) BOTH SIDES ALIKE WITHIN .015



Material

PVC
AVAILABLE IN WHITE,
GRAY, BLACK, OR BLUE
CONSULT FACTORY FOR
OTHER COLORS
RoHS COMPLIANT

Units

inches
Dimension without tolerances
details to:
.xxxx = ±.0005
.xxx = ±.005
.xx = ±.01
.x = ±.03
None = ±.06
∠ = ±0.5°

The copyright of this drawing is reserved by HellermannTyton. It is issued on condition that it is not reproduced, copied, or disclosed to a third party, either wholly or in part, without the consent of HellermannTyton.

Drawn	KAC	06/22/2009	Article/Type-No	SEE CHART	Scale	1:1
Approved			Title	4" WIDE SD, SDA, SL, SLA DUCT WITH COVER	Project Number	PRP07-021
HellermannTyton			Drawing-No	DT07-021-402CST	Format	C
North America Email: corp@htamericas.com Web: www.hellermann.tyton.com			Pre-Production : Phase		Sheet	1/1