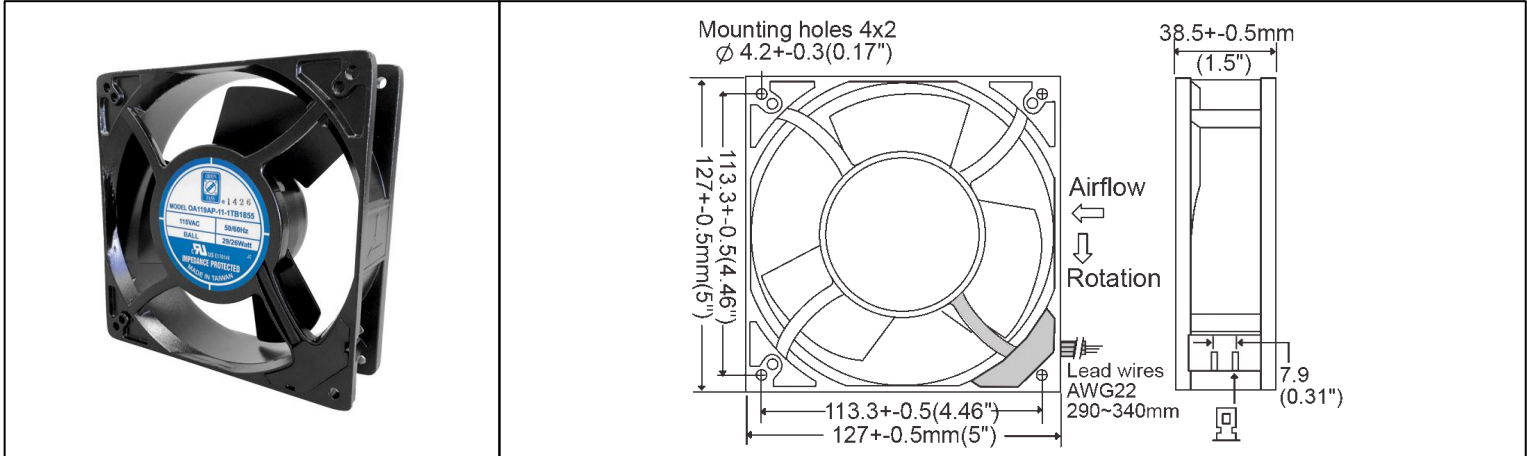


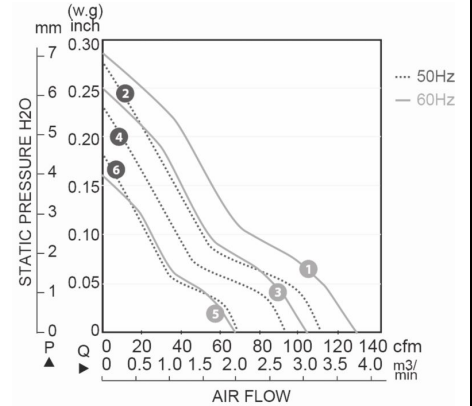
OA119AP All Metal Series



AC Fans - 115, 230V
127mm x 38mm (5.0" x 1.5")



| | | |
|------------------------------|---|--|
| Frame | Die Cast Aluminum, Black Finish | Operating Temperature -30°C ~ +80°C |
| Impeller | Steel Alloy, Black Finish | |
| Power Connection | 2x Lead Wires, 22 AWG 300mm, or Terminals | Storage Temperature -40°C ~ +100°C |
| Motor | AC Shaded Pole, Impedance Protected, IP55 Rated | Life Expectancy 50,000 Hours (L10 at 55°C) |
| Bearing System | Ball Bearings | Installed Options IP55 Rated Motor |
| Dielectric Strength | 1500VAC/min, <1mA | Available Options Salt Fog Ratings Other Voltages |
| Insulation Resistance | ≥10MΩ @ 500V DC | Weight: 1.4 lbs. |



| Part Number | Rated Voltage (Volts AC) | Voltage Range (Volts AC) | Frequency (Hertz) | Rated Power (Watts) | Rated Speed (RPM) | Max Airflow (CFM) | Noise Level (dBA) | Max Static Pressure ("H ₂ O) |
|--------------------|--------------------------|--------------------------|-------------------|---------------------|-------------------|-------------------|-------------------|---|
| OA119AP-11-1*B1855 | 115 | 100 ~ 125 | 50 / 60 | 29 / 26 | 2600 / 2950 | 110 / 128 | 48 | 0.27 / 0.29 |
| OA119AP-11-2*B1855 | 115 | 100 ~ 125 | 50 / 60 | 23 / 20 | 2300 / 2400 | 95 / 105 | 42 | 0.23 / 0.25 |
| OA119AP-11-3*B1855 | 115 | 100 ~ 125 | 50 / 60 | 18 / 15 | 1600 / 1500 | 68 / 65 | 28 | 0.18 / 0.16 |
| OA119AP-22-1*B1855 | 230 | 200 ~ 250 | 50 / 60 | 29 / 26 | 2600 / 2950 | 110 / 128 | 48 | 0.27 / 0.29 |
| OA119AP-22-2*B1855 | 230 | 200 ~ 250 | 50 / 60 | 23 / 20 | 2300 / 2400 | 95 / 105 | 42 | 0.23 / 0.25 |
| OA119AP-22-3*B1855 | 230 | 200 ~ 250 | 50 / 60 | 18 / 15 | 1600 / 1500 | 68 / 65 | 28 | 0.18 / 0.16 |

* Substitute "T" for Terminal connection type, or "W" for Wire Lead connection type.