

REVISIONS

LTR	DESCRIPTION	DATE (YR-MO-DA)	APPROVED
F	Add peak current to absolute maximum ratings. Editorial changes throughout.	92-11-24	M. A. Frye
G	Changes in accordance with NOR 5962-R144-95.	95-10-20	M. A. Frye
H	Make corrections to the switch operation table in 3.3.1. Update boilerplate to reflect current requirements. -rrp	03-03-10	R. Monnin
J	Make correction to marking paragraph 3.5. -rrp	05-05-11	R. Monnin
K	Redrawn. Update paragraphs to MIL-PRF-38535 requirements. - drw	17-07-20	Charles F. Saffle

CURRENT CAGE CODE 67268

THE ORIGINAL FIRST SHEET OF THIS DRAWING HAS BEEN REPLACED.

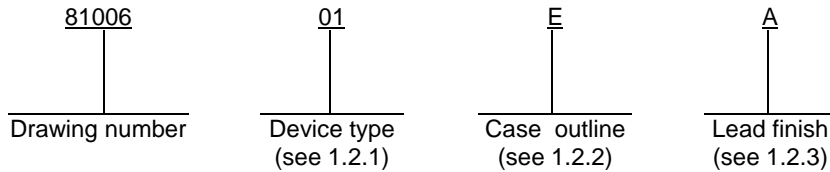


REV																				
SHEET																				
REV																				
SHEET																				
REV STATUS	REV	K	K	K	K	K	K	K	K	K	K	K	K	K	K	K				
OF SHEETS	SHEET	1	2	3	4	5	6	7	8	9	10	11	12	13						
PMIC N/A	PREPARED BY Gary J. Zahn	<p align="center">DLA LAND AND MARITIME COLUMBUS, OHIO 43218-3990 http://www.landandmaritime.dla.mil</p>																		
<p align="center">STANDARD MICROCIRCUIT DRAWING</p> <p>THIS DRAWING IS AVAILABLE FOR USE BY ALL DEPARTMENTS AND AGENCIES OF THE DEPARTMENT OF DEFENSE</p> <p align="center">AMSC N/A</p>	CHECKED BY William E. Sharp	<p align="center">MICROCIRCUIT, LINEAR, CMOS, HIGH LEVEL ANALOG SWITCHES WITH DRIVERS, MONOLITHIC SILICON</p>																		
	APPROVED BY N. A. Hauck																			
	DRAWING APPROVAL DATE 81-10-01	SIZE A	CAGE CODE 14933	81006																
	REVISION LEVEL K	SHEET 1 OF 13																		

1. SCOPE

1.1 Scope. This drawing describes device requirements for MIL-STD-883 compliant, non-JAN class level B microcircuits in accordance with MIL-PRF-38535, appendix A.

1.2 Part or Identifying Number (PIN). The complete PIN is as shown in the following example:



1.2.1 Device types. The device types identify the circuit function as follows:

<u>Device type</u>	<u>Generic number</u>	<u>Circuit function</u>
01	IH5040, DG5140	One-channel, 75 ohms, SPST switch
02	IH5041, DG5141	Two-channel, 75 ohms, SPST switch
03	IH5042, DG5142	One-channel, 75 ohms, SPDT switch
04	IH5043, DG5143	Two-channel, 75 ohms, SPDT switch
05	IH5044, DG5144	One-channel, 75 ohms, DPST switch
06	IH5045, DG5145	Two-channel, 75 ohms, DPST switch
07	IH5046	One-channel, 75 ohms, DPDT switch
08	IH5047	One-channel, 75 ohms, 4PST switch
09	IH5140, HI5040	One-channel, 75 ohms, SPST switch
10	IH5141, HI5041	Two-channel, 75 ohms, SPDT switch
11	IH5142, HI5042	One-channel, 75 ohms, SPDT switch
12	IH5143, HI5043	Two-channel, 30 ohms, SPDT switch
13	IH5144, HI5044	One-channel, 30 ohms, DPST switch
14	IH5145, HI5045	Two-channel, 75 ohms, DPST switch
15	HI5046	One-channel, 75 ohms, DPDT switch
16	IH5047, HI5047	One-channel, 75 ohms, 4PST switch
17	HI5046A	One-channel, 30 ohms, DPDT switch
18	HI5047A	One-channel, 30 ohms, 4PST switch
19	IH5148, HI5048	Two-channel, 30 ohms, SPST switch
20	IH5149, HI5049	Two-channel, 30 ohms, DPST switch
21	IH5150, HI5050	One-channel, 30 ohms, SPDT switch
22	IH5151, HI5051	Two-channel, 30 ohms, SPDT switch

1.2.2 Case outlines. The case outlines are as designated in MIL-STD-1835 as follows:

<u>Outline letter</u>	<u>Descriptive designator</u>	<u>Terminals</u>	<u>Package style</u>
A	GDFP5-F14 or CDFP6-F14	14	Flat pack
E	GDIP1-T16 or CDIP2-T16	16	Dual-in-line
I	MACY1-X10	10	Can
2	CQCC1-N20	20	Square leadless chip carrier
X	CDFP3-F14	14	Flat pack

1.2.3 Lead finish. The lead finish is as specified in MIL-PRF-38535, appendix A.

STANDARD MICROCIRCUIT DRAWING DLA LAND AND MARITIME COLUMBUS, OHIO 43218-3990	SIZE A		81006
		REVISION LEVEL K	SHEET 2

1.3 Absolute maximum ratings.

V+ - V-	33 V dc
V+ - V _D	30 V dc
V _D - V-	30 V dc
V _D - V _S	±22 V dc
V _L - V-	33 V dc
V _L - V _{IN}	30 V dc
V _L - V _R	20 V dc
V _{IN} - V _R	20 V dc
V _R - V-	33 V dc
V _R - V _{IN}	2 V dc
Current (any terminal except S or D)	30 mA
Peak current (source to drain)	80 mA ^{1/}
Storage temperature range	-65°C to +150°C
Lead temperature (soldering, 10 seconds)	+300°C
Junction temperature (T _J)	+175°C
Power dissipation, (P _D): ^{2/}	
Cases A and X at T _A = +125°C	350 mW
Case E at T _A = +125°C	400 mW
Case I at T _A = +125°C	350 mW
Case 2 at T _A = +125°C	350 mW

1.4 Recommended operating conditions.

+V _{CC}	+15 V dc
-V _{CC}	-15 V dc
V _R	0 V dc
V _L	5 V dc
Ambient operating temperature range (T _A)	-55°C to +125°C
Thermal resistance, junction-to-case (θ _{JC})	See MIL-STD-1835

2. APPLICABLE DOCUMENTS

2.1 Government specification, standards, and handbooks. The following specification, standards, and handbooks form a part of this drawing to the extent specified herein. Unless otherwise specified, the issues of these documents are those cited in the solicitation or contract.

DEPARTMENT OF DEFENSE SPECIFICATION

MIL-PRF-38535 - Integrated Circuits, Manufacturing, General Specification for.

DEPARTMENT OF DEFENSE STANDARDS

MIL-STD-883 - Test Method Standard Microcircuits.
MIL-STD-1835 - Interface Standard Electronic Component Case Outlines.

^{1/} Pulse at 1 ms, 10 percent duty cycle maximum.
^{2/} For T_A = +100°C to +125°C, derate linearly at 12 mW/°C.

STANDARD MICROCIRCUIT DRAWING DLA LAND AND MARITIME COLUMBUS, OHIO 43218-3990	SIZE A		81006
		REVISION LEVEL K	SHEET 3

DEPARTMENT OF DEFENSE HANDBOOKS

- MIL-HDBK-103 - List of Standard Microcircuit Drawings.
- MIL-HDBK-780 - Standard Microcircuit Drawings.

(Copies of these documents are available online at <http://quicksearch.dla.mil> or from the Standardization Document Order Desk, 700 Robbins Avenue, Building 4D, Philadelphia, PA 19111-5094).

2.2 Order of precedence. In the event of a conflict between the text of this drawing and the references cited herein, the text of this drawing takes precedence. Nothing in this document, however, supersedes applicable laws and regulations unless a specific exemption has been obtained.

3. REQUIREMENTS

3.1 Item requirements. The individual item requirements shall be in accordance with MIL-PRF-38535, appendix A for non-JAN class level B devices and as specified herein. Product built to this drawing that is produced by a Qualified Manufacturer Listing (QML) certified and qualified manufacturer or a manufacturer who has been granted transitional certification to MIL-PRF-38535 may be processed as QML product in accordance with the manufacturers approved program plan and qualifying activity approval in accordance with MIL-PRF-38535. This QML flow as documented in the Quality Management (QM) plan may make modifications to the requirements herein. These modifications shall not affect form, fit, or function of the device. These modifications shall not affect the PIN as described herein. A "Q" or "QML" certification mark in accordance with MIL-PRF-38535 is required to identify when the QML flow option is used.

3.2 Design, construction, and physical dimensions. The design, construction, and physical dimensions shall be as specified in MIL-PRF-38535, appendix A and herein.

3.2.1 Case outlines. The case outlines shall be in accordance with 1.2.2 herein.

3.2.2 Terminal connections. The terminal connections shall be as specified on figure 1.

3.3 Electrical performance characteristics. Unless otherwise specified herein, the electrical performance characteristics are as specified in table I and shall apply over the full ambient operating temperature range.

3.3.1 Switch operation. The analog switches listed below are guaranteed to turn "on" with either a "low" input ($V_R \leq V_{IL} \leq 0.8 V$) or "high" input ($2.4 V \leq V_{IH} \leq V_{IL}$) as specified below (see figure 1).

Device types	V _{IN}	Channels ON	Channels OFF
01, 09	2.4 V dc	1	
	0.8 V dc		1
02, 10, 05, 13, 19	2.4 V dc	1, 2	
	0.8 V dc		1, 2
03, 11, 21	2.4 V dc	1	2
	0.8 V dc	2	1
04, 12, 22	2.4 V dc	1, 2	3, 4
	0.8 V dc	3, 4	1, 2
07, 15, 17	2.4 V dc	2, 3	1, 4
	0.8 V dc	1, 4	2, 3
06, 08, 14, 16, 18, 20	2.4 V dc	1, 2, 3, 4	
	0.8 V dc		1, 2, 3, 4

3.4 Electrical test requirements. The electrical test requirements shall be the subgroups specified in table II. The electrical tests for each subgroup are described in table I.

STANDARD MICROCIRCUIT DRAWING DLA LAND AND MARITIME COLUMBUS, OHIO 43218-3990	SIZE A		81006
		REVISION LEVEL K	SHEET 4

TABLE I. Electrical performance characteristics.

Test	Symbol	Conditions -55°C ≤ T _A ≤ +125°C V _{CC} = ±15 V unless otherwise specified	Group A subgroups	Device type	Limits		Unit
					Min	Max	
Drain source "ON" resistance	R _{DS}	V _D = -10 V, I _S = 10 mA,	1, 3	1 - 16		75	Ω <u>1/</u>
			2			150	
			1, 3	17 - 22		45	
			2			50	
		V _D = 10 V, I _S = -10 mA,	1, 3	1 - 16		75	
			2			150	
			1, 3	17 - 22		45	
			2			50	
		V _D = -7.5 V, I _S = 10 mA, V _{CC} = ±10 V <u>2/</u>	1, 3	All		75	
			2			150	
		V _D = 7.5 V, I _S = -10 mA, V _{CC} = ±10 V <u>2/</u>	1, 3			75	
			2			150	
Channel "ON" leakage current	I _{D(ON)}	V _S = V _D = 10 V, See 3.3.1 for V _{IN}	2, 3	All	-200	200	nA
			1		-2	2	
		V _S = V _D = -10 V, See 3.3.1 for V _{IN}	2, 3		-200	200	
			1		-2	2	
Drain "OFF" leakage current	I _{D(OFF)}	V _S = -10 V, V _D = 10 V, See 3.3.1 for V _{IN}	2, 3	All	-100	100	nA
			1		-1	1	
		V _S = 10 V, V _D = -10 V, See 3.3.1 for V _{IN}	2, 3		-100	100	
			1		-1	1	
Source "OFF" leakage current	I _{S(OFF)}	V _S = 10 V, V _D = -10 V, See 3.3.1 for V _{IN}	2, 3	All	-100	100	nA
			1		-1	1	
		V _S = -10 V, V _D = 10 V, See 3.3.1 for V _{IN}	2, 3		-100	100	
			1		-1	1	
Input current, input voltage low	I _{IL}	V _{IN} = 0 V	1, 3	All	-1	1	μA
			2		-10	1	
Input current, input voltage high	I _{IH}	V _{IN} = 2.4 V, 5 V	1, 3	All	-1	1	μA
			2		-1	10	
Positive supply current	+I _{CC}	V _{IN} = 0 V, 5 V	1, 3	1-8		10	μA
			2			100	
			1	9 - 22		200	
			2, 3			300	
Negative supply current	-I _{CC}	V _{IN} = 0 V, 5 V	1, 3	1 - 8	-10		μA
			2			-100	
			1	9 - 22	-200		
			2, 3			-300	

See footnotes at end of table.

**STANDARD
MICROCIRCUIT DRAWING**
DLA LAND AND MARITIME
COLUMBUS, OHIO 43218-3990

SIZE
A

REVISION LEVEL
K

81006

SHEET
5

TABLE I. Electrical performance characteristics – continued.

Test	Symbol	Conditions -55°C ≤ T _A ≤ +125°C V _{CC} = ±15 V unless otherwise specified	Group A subgroups	Device type	Limits		Unit
					Min	Max	
Logic supply current	+I _L	V _{IN} = 0 V, 5 V	1, 3	1 - 8		10	μA
			2			100	
			1	9 - 22		-200	
			2, 3			-300	
Reference supply current	+I _R	V _{IN} = 0 V, 5 V	1, 3	1 - 8	-10		μA
			2		-100		
			1	9 - 22	-200		
			2, 3		-300		
Turn-on time	t _{ON}		11	1 - 8		375	ns
			9			450	
			10			550	
			11	9 - 22		450	
			9			500	
			10			800	
Turn-off time	t _{OFF}		11	1 - 8		250	ns
			9			250	
			10			400	
			11	9 - 22		350	
			9			450	
			10			600	
Single channel isolation <u>2/</u>	V _{ISO}	R _L = 100Ω, f = 100 kHz, V _{IN} = 2 V _{P-P} , C _L = 5 pF, T _A = +25°C	9	All	60		dB
Crosstalk between channels <u>2/</u>	V _{CT}	R _L = 100Ω, f = 100 kHz, V _{IN} = 2 V _{P-P} , C _L = 5 pF, T _A = +25°C	9	All	60		dB
Charge transfer error <u>2/</u>	V _{CTE}	V _{IN} = 0 V, C _L = 10 nF, T _A = +25°C	9	All		30	mV
Break before make time delay <u>2/</u>	t _D	T _A = +25°C	9	03, 04, 07	5		ns
Driver input capacitance <u>2/</u>	C _A	V _{IN} = 0 V, T _A = +25°C	9	All		45	pF
Switch input capacitance <u>2/</u>	C _{IS}	Switch off, T _A = +25°C	9	All		60	pF
Switch output capacitance <u>2/</u>	C _{OS}	Switch off, T _A = +25°C	9	All		60	pF

1/ The listed resistance limits correspond to the following voltage values:

45Ω and 75Ω - ±9.25 V, ±6.75 V

50Ω and 150Ω - ±8.50 V, ±6.0 V

2/ If not tested, shall be guaranteed to the limits specified in table I herein.

**STANDARD
MICROCIRCUIT DRAWING**
DLA LAND AND MARITIME
COLUMBUS, OHIO 43218-3990

SIZE
A

81006

REVISION LEVEL
K

SHEET
6

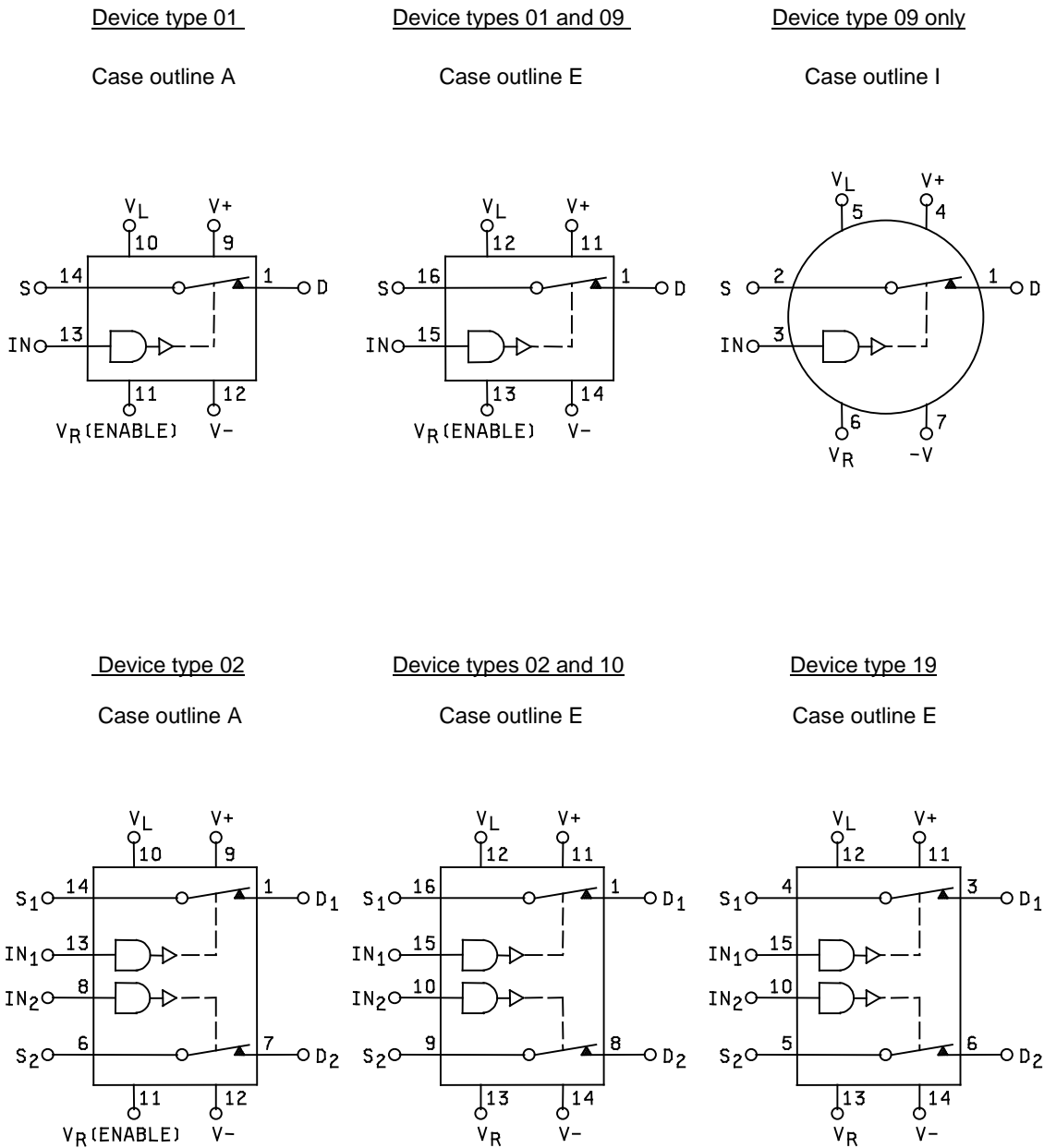


FIGURE 1. Terminal connections.

**STANDARD
MICROCIRCUIT DRAWING**

DLA LAND AND MARITIME
COLUMBUS, OHIO 43218-3990

SIZE
A

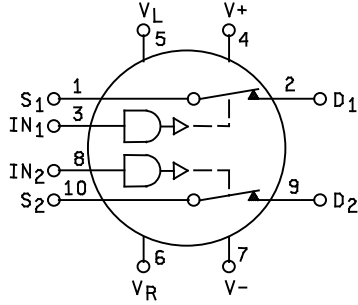
81006

REVISION LEVEL
K

SHEET
7

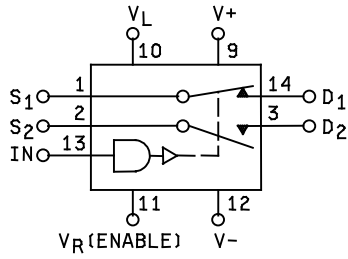
Device types 02 and 10

Case outline I



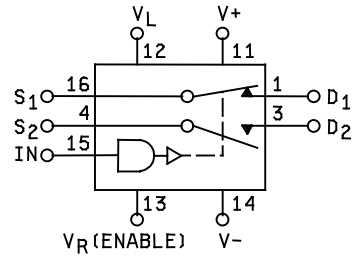
Device type 03

Case outline A



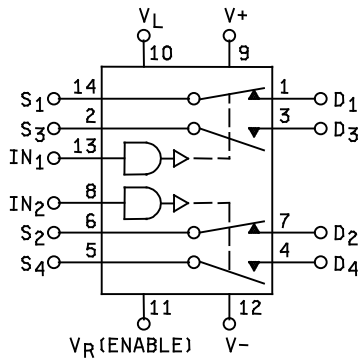
Device types 03, 11, and 21

Case outline E



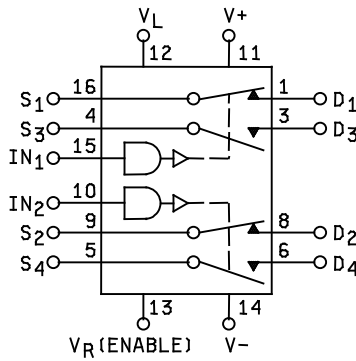
Device type 04

Case outline A



Device types 04, 12, and 22

Case outline E



Case outline 2

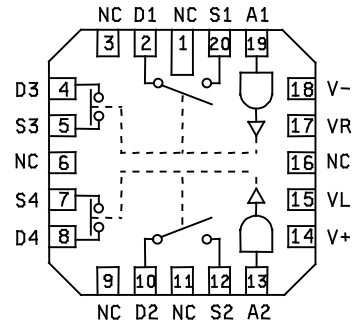


FIGURE 1. Terminal connections - continued.

**STANDARD
MICROCIRCUIT DRAWING**

DLA LAND AND MARITIME
COLUMBUS, OHIO 43218-3990

SIZE
A

81006

REVISION LEVEL
K

SHEET
8

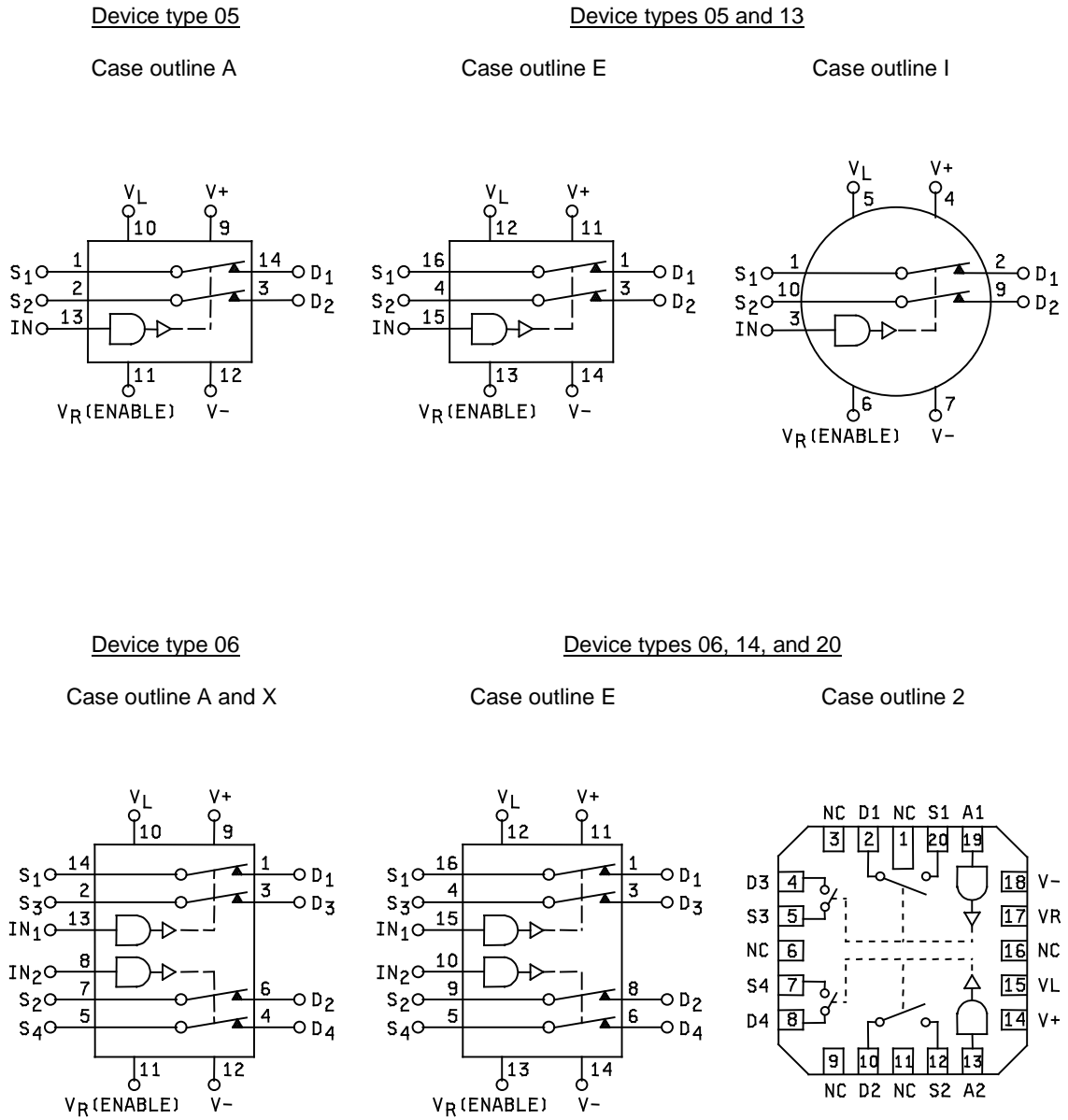


FIGURE 1. Terminal connections - continued.

**STANDARD
MICROCIRCUIT DRAWING**
DLA LAND AND MARITIME
COLUMBUS, OHIO 43218-3990

SIZE
A

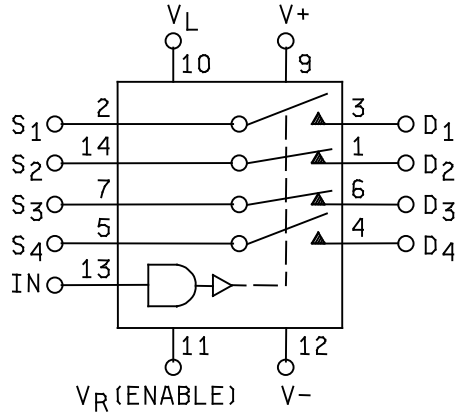
81006

REVISION LEVEL
K

SHEET
9

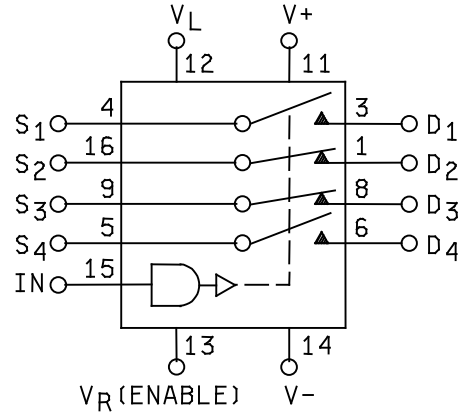
Device type 07

Case outline A



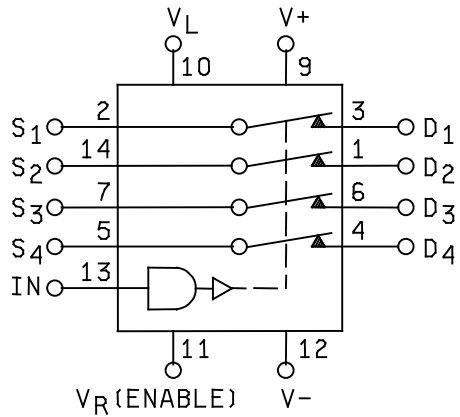
Device types 07, 15, and 17

Case outline E



Device type 08

Case outline A



Device types 08, 16, and 18

Case outline E

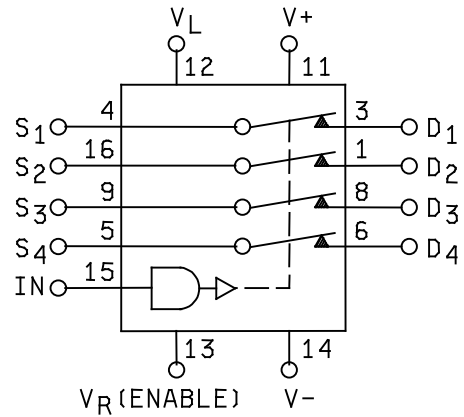


FIGURE 1. Terminal connections - continued.

**STANDARD
MICROCIRCUIT DRAWING**

DLA LAND AND MARITIME
COLUMBUS, OHIO 43218-3990

SIZE
A

81006

REVISION LEVEL
K

SHEET
10

3.5 Marking. Marking shall be in accordance with MIL-PRF-38535, appendix A. The part shall be marked with the PIN listed in 1.2 herein. In addition, the manufacturer's PIN may also be marked.

3.5.1 Certification/compliance mark. A compliance indicator "C" shall be marked on all non-JAN devices built in compliance to MIL-PRF-38535, appendix A. The compliance indicator "C" shall be replaced with a "Q" or "QML" certification mark in accordance with MIL-PRF-38535 to identify when the QML flow option is used.

3.6 Certificate of compliance. A certificate of compliance shall be required from a manufacturer in order to be listed as an approved source of supply in MIL-HDBK-103 (see 6.6 herein). The certificate of compliance submitted to DLA Land and Maritime -VA prior to listing as an approved source of supply shall affirm that the manufacturer's product meets the requirements of MIL-PRF-38535, appendix A and the requirements herein.

3.7 Certificate of conformance. A certificate of conformance as required in MIL-PRF-38535, appendix A shall be provided with each lot of microcircuits delivered to this drawing.

3.8 Notification of change. Notification of change to DLA Land and Maritime -VA shall be required for any change that affects this drawing.

3.9 Verification and review. DLA Land and Maritime, DLA Land and Maritime's agent, and the acquiring activity retain the option to review the manufacturer's facility and applicable required documentation. Offshore documentation shall be made available onshore at the option of the reviewer.

4. VERIFICATION

4.1 Sampling and inspection. Sampling and inspection procedures shall be in accordance with MIL-PRF-38535, appendix A.

4.2 Screening. Screening shall be in accordance with method 5004 of MIL-STD-883, and shall be conducted on all devices prior to quality conformance inspection. The following additional criteria shall apply:

a. Burn-in test, method 1015 of MIL-STD-883.

(1) Test condition A, B, C, or D. The test circuit shall be maintained by the manufacturer under document revision level control and shall be made available to the preparing or acquiring activity upon request. The test circuit shall specify the inputs, outputs, biases, and power dissipation, as applicable, in accordance with the intent specified in method 1015 of MIL-STD-883.

(2) $T_A = +125^\circ\text{C}$, minimum.

b. Interim and final electrical test parameters shall be as specified in table II herein, except interim electrical parameter tests prior to burn-in are optional at the discretion of the manufacturer.

4.3 Quality conformance inspection. Quality conformance inspection shall be in accordance with method 5005 of MIL-STD-883 including groups A, B, C, and D inspections. The following additional criteria shall apply.

4.3.1 Group A inspection.

a. Tests shall be as specified in table II herein.

b. Subgroups 4, 5, 6, 7, and 8 in table I, method 5005 of MIL-STD-883 shall be omitted.

STANDARD MICROCIRCUIT DRAWING DLA LAND AND MARITIME COLUMBUS, OHIO 43218-3990	SIZE A		81006
		REVISION LEVEL K	SHEET 11

TABLE II. Electrical test requirements.

MIL-STD-883 test requirements	Subgroups (in accordance with MIL-STD-883, method 5005, table I)
Interim electrical parameters (method 5004)	----
Final electrical test parameters (method 5004)	1*, 2, 3
Group A test requirements (method 5005)	1, 2, 3, 9, 10, 11
Groups C and D end-point electrical parameters (method 5005)	1

* PDA applies to subgroup 1.

4.3.2 Groups C and D inspections.

- a. End-point electrical parameters shall be as specified in table II herein.
- b. Steady-state life test conditions, method 1005 of MIL-STD-883.
 - (1) Test condition A, B, C, or D. The test circuit shall be maintained by the manufacturer under document revision level control and shall be made available to the preparing or acquiring activity upon request. The test circuit shall specify the inputs, outputs, biases, and power dissipation, as applicable, in accordance with the intent specified in method 1005 of MIL-STD-883.
 - (2) $T_A = +125^{\circ}\text{C}$, minimum.
 - (3) Test duration: 1,000 hours, except as permitted by method 1005 of MIL-STD-883.

5. PACKAGING

5.1 Packaging requirements. The requirements for packaging shall be in accordance with MIL-PRF-38535, appendix A.

STANDARD MICROCIRCUIT DRAWING DLA LAND AND MARITIME COLUMBUS, OHIO 43218-3990	SIZE A		81006
		REVISION LEVEL K	SHEET 12

6. NOTES

6.1 Intended use. Microcircuits conforming to this drawing are intended for use for Government microcircuit applications (original equipment), design applications, and logistics purposes.

6.2 Replaceability. Microcircuits covered by this drawing will replace the same generic device covered by a contractor-prepared specification or drawing.

6.3 Configuration control of SMD's. All proposed changes to existing SMD's will be coordinated with the users of record for the individual documents. This coordination will be accomplished using DD Form 1692, Engineering Change Proposal.

6.4 Record of users. Military and industrial users shall inform DLA Land and Maritime when a system application requires configuration control and the applicable SMD to that system. DLA Land and Maritime will maintain a record of users and this list will be used for coordination and distribution of changes to the drawings. Users of drawings covering microelectronics devices (FSC 5962) should contact DLA Land and Maritime-VA, telephone (614) 692-8108.

6.5 Comments. Comments on this drawing should be directed to DLA Land and Maritime-VA, Columbus, Ohio 43218-3990, or telephone (614) 692-0540.

6.6 Approved sources of supply. Approved sources of supply are listed in MIL-HDBK-103 and QML-38535 (if QML). The vendors listed in MIL-HDBK-103 and QML-38535 (if QML) have agreed to this drawing and a certificate of compliance (see 3.6 herein) has been submitted to and accepted by DLA Land and Maritime-VA.

STANDARD MICROCIRCUIT DRAWING DLA LAND AND MARITIME COLUMBUS, OHIO 43218-3990	SIZE A		81006
		REVISION LEVEL K	SHEET 13

STANDARD MICROCIRCUIT DRAWING BULLETIN

DATE: 17-07-20

Approved sources of supply for SMD 81006 are listed below for immediate acquisition information only and shall be added to MIL-HDBK-103 and QML-38535 during the next revision. MIL-HDBK-103 and QML-38535 will be revised to include the addition or deletion of sources. The vendors listed below have agreed to this drawing and a certificate of compliance has been submitted to and accepted by DLA Land and Maritime-VA. This information bulletin is superseded by the next dated revision of MIL-HDBK-103 and QML-38535. DLA Land and Maritime maintains an online database of all current sources of supply at <https://landandmaritimeapps.dla.mil/programs/smcr/>.

Standard microcircuit drawing PIN <u>1</u> /	Vendor CAGE number	Vendor similar PIN <u>2</u> /	Reference military specification PIN
8100601AA	<u>3</u> /	IH5040MFD	M38510/10501BAA
8100601EA	<u>3</u> /	IH5040MJE/883B	M38510/10501BEA
	<u>3</u> /	DG5140AK	
8100602AA	<u>3</u> /	IH5041MFD	M38510/10502BAA
8100602EA	<u>3</u> /	IH5041MJE/883B	M38510/10502BEA
	<u>3</u> /	DG5141AK	
8100602IA	<u>3</u> /	DG5141AA	M38510/10502BIA
8100603AA	<u>3</u> /	IH5042MFD	M38510/10503BAA
8100603EA	1ES66	IH5042MJE/883B	M38510/10503BEA
	<u>3</u> /	DG5142AK	
8100604AA	<u>3</u> /	IH5043MFD	M38510/10504BAA
8100604EA	3V146	IH5043MJE/883B	M38510/10504BEA
	1ES66	IH5043MJE/883B	
	<u>3</u> /	DG5143AK	
8100605AA	<u>3</u> /	IH5044MFD	M38510/10505BAA
8100605EA	<u>3</u> /	IH5044MJE/883B	M38510/10505BEA
	<u>3</u> /	DG5144AK	
8100605IA	<u>3</u> /	DG5144AA	M38510/10505BIA
8100606AA	<u>3</u> /	IH5045MFD/883B	M38510/10506BAA
8100606EA	<u>3</u> /	IH5045MJE/883B	M38510/10506BEA
	<u>3</u> /	DG5145AK	
8100606XC	<u>3</u> /	IH5045MFD/883B	
8100607AA	<u>3</u> /	IH5046MFD	M38510/10507BAA
8100607EA	<u>3</u> /	IH5046MJE	M38510/10507BEA
8100608AA	<u>3</u> /	IH5047MFD	M38510/10508BAA
8100608EA	<u>3</u> /	IH5047MJE/883B	M38510/10508BEA
8100609EA	<u>3</u> /	IH5140MJE/883B	M38510/10501BEA
	<u>3</u> /	HI1-5040/883	
8100609IA	<u>3</u> /	DG5040AA	M38510/10501BIA

See footnotes at end of table.

STANDARD MICROCIRCUIT DRAWING BULLETIN – continued.

DATE: 17-07-20

Standard microcircuit drawing PIN <u>1/</u>	Vendor CAGE number	Vendor similar PIN <u>2/</u>	Reference military specification PIN
8100610EA	1ES66	IH5141MJE/883B	M38510/10502BEA
	<u>3/</u>	IH5141MJE	
	<u>3/</u>	HI1-5041/883	
8100610IA	<u>3/</u>	DG5041AA	M38510/10502BIA
8100611EA	3V146	IH5142MJE/883B	M38510/10503BEA
	<u>3/</u>	IH5142MJE	
	<u>3/</u>	HI1-5042/883	
8100612EA	1ES66	IH5143MJE/883B	M38510/10504BEA
	3V146	IH5143MJE/883B	
	<u>3/</u>	HI1-5043/883	
81006122A	<u>3/</u>	HI4-5043/883	---
8100613EA	<u>3/</u>	IH5144MJE/883B	M38510/10505BEA
	<u>3/</u>	IH5144MJE	
	<u>3/</u>	HI1-5044/883	
8100613IA	<u>3/</u>	DG5044AA	M38510/10505BIA
8100614EA	1ES66	IH5145MJE/883B	M38510/10506BEA
	<u>3/</u>	IH5145MJE	
	<u>3/</u>	HI1-5045/883	
81006142A	<u>3/</u>	HI4-5045/883	---
8100615EA	<u>3/</u>	HI1-5046/883	M38510/10507BEA
8100616EA	1ES66	IH5047MJE/883B	M38510/10508BEA
	<u>3/</u>	HI1-5047/883	
8100617EA	34371	HI1-5046A/883	---
8100618EA	<u>3/</u>	HI1-5047A/883	---
8100619EA	<u>3/</u>	IH5148MJE/883B	---
	<u>3/</u>	HI1-5048/883	

See footnotes at end of table.

STANDARD MICROCIRCUIT DRAWING BULLETIN – continued.

DATE: 17-07-20

Standard microcircuit drawing PIN <u>1/</u>	Vendor CAGE number	Vendor similar PIN <u>2/</u>	Reference military specification PIN
8100620EA	1ES66	IH5149MJE/883B	---
	<u>3/</u>	HI1-5049/883	
81006202A	<u>3/</u>	HI4-5049/883	---
8100621EA	1ES66	IH5150MJE/883B	---
	<u>3/</u>	HI1-5050/883	
8100622EA	<u>3/</u>	IH5151MJE	---
	3V146	HI1-5051/883	
	1ES66	IH5151MJE/883B	
81006222A	<u>3/</u>	HI4-5051/883	---

1/ The lead finish shown for each PIN representing a hermetic package is the most readily available from the manufacturer listed for that part. If the desired lead finish is not listed contact the vendor to determine its availability.

2/ Caution. Do not use this number for item acquisition. Items acquired to this number may not satisfy the performance requirements of this drawing.

3/ Not available from an approved source of supply.

Vendor CAGE
number

Vendor name
and address

1ES66

Maxim Integrated
160 Rio Robles
San Jose, CA 95134

3V146

Rochester Electronics Inc.
16 Malcolm Hoyt Drive
Newburyport, MA 01950

34371

Intersil Corporation
1650 Robert J. Conlan Blvd. NE
Palm Bay, FL 32905-3406

The information contained herein is disseminated for convenience only and the Government assumes no liability whatsoever for any inaccuracies in the information bulletin.