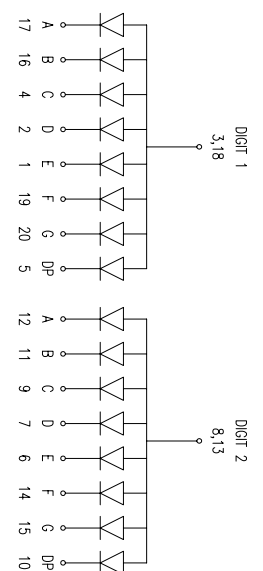
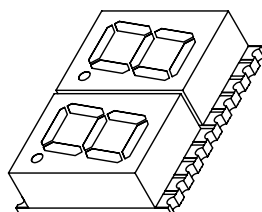
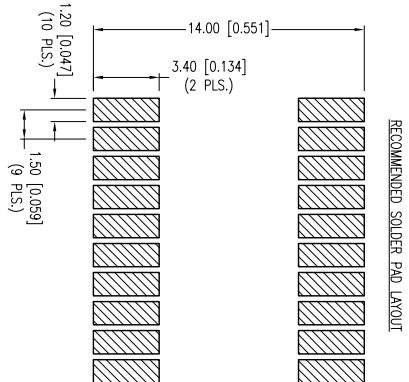
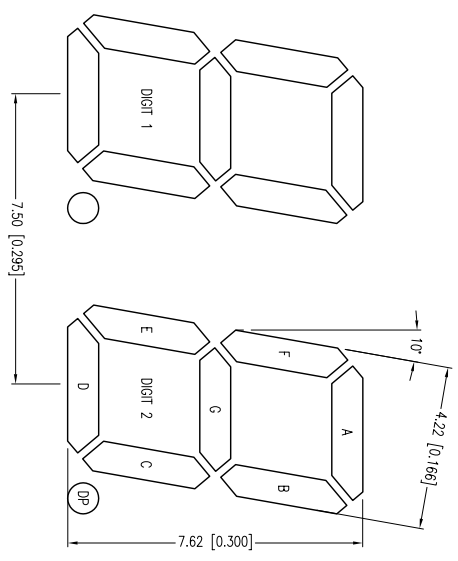
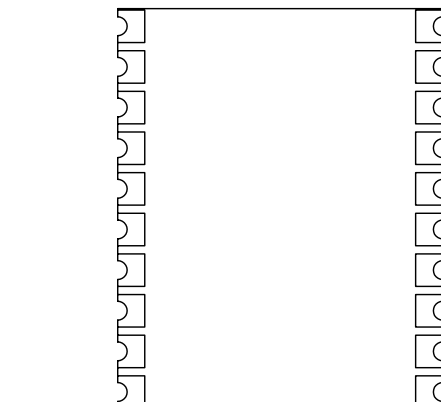
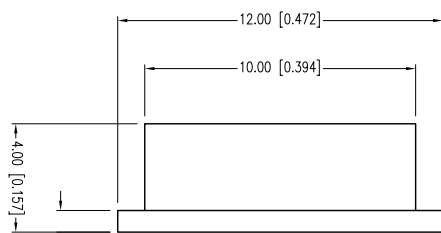
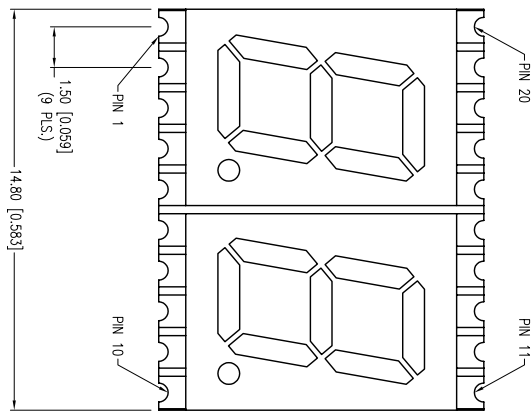


PART NUMBER	LDD-SMHTA304RISITR	REV.	A
DATE	03/26/12	REV.	A
E.C.N. #11811	CHANGE PART DESCRIPTION.		



ELECTRO-OPTICAL CHARACTERISTICS $T_0=25^{\circ}\text{C}$

PARAMETER	MIN	TYP	MAX	UNITS	TEST COND
PEAK WAVELENGTH	640	2.0	2.40	nm	
FORWARD VOLTAGE	5.0			V _f	$I_f=100\mu\text{A}$
REVERSE VOLTAGE				V _r	$I_r=10\mu\text{A}$
AXIAL INTENSITY			4500	cd	
EMITTED COLOR:	RED				2x theta
FACE COLOR:	GRAY				
SEGMENT COLOR:	MILKY WHITE DIFFUSED				

LIMITS OF SAFE OPERATION AT 25°C PER DIE

PARAMETER	MAX	UNITS
PEAK FORWARD CURRENT*	100	mA
STEADY CURRENT	25	mA
POWER DISSIPATION	60	mW
DERATE FROM 25°C	-0.30	mW/°C
OPERATING TEMP.	-40 TO +105	°C
STORAGE TEMP.	-40 TO +105	°C

* I_T10/5

UNLESS OTHERWISE SPECIFIED TOLERANCES PER DECIMAL PRECISION ARE: X=±1 (±0.025), X.X=±0.5 (±0.020), X.XX=±0.25 (±0.010), X.XXX=±0.127 (±0.005), LEAD SIZE=±0.05 (±0.002), LEAD LENGTH=±0.75 (±0.030), MIN.= -0.00, DECIMAL PRECISION MAX.= +0.00, DECIMAL PRECISION

LUMEX Creating LED and LCD Solutions Together™

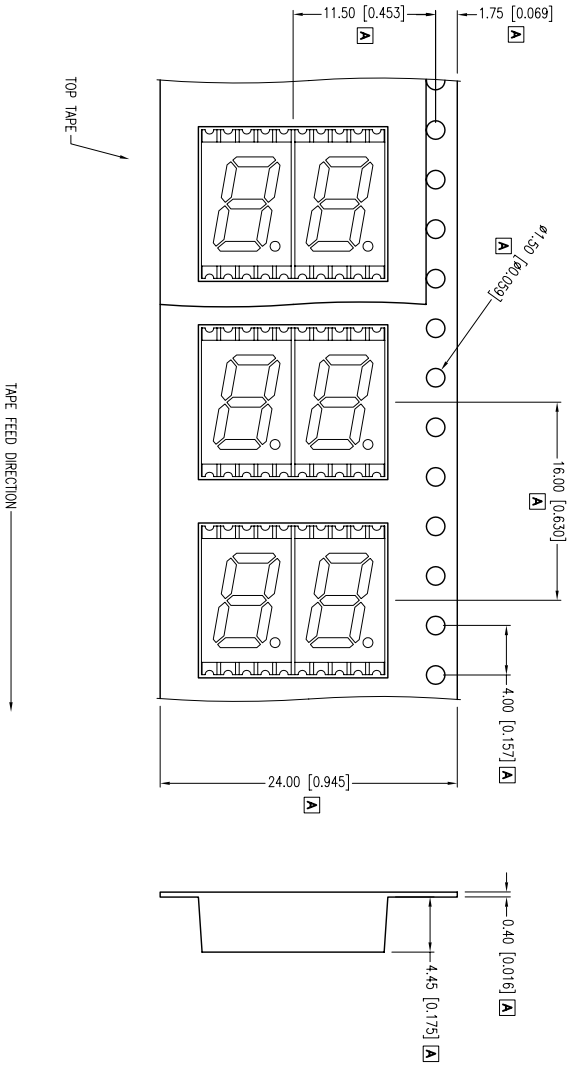
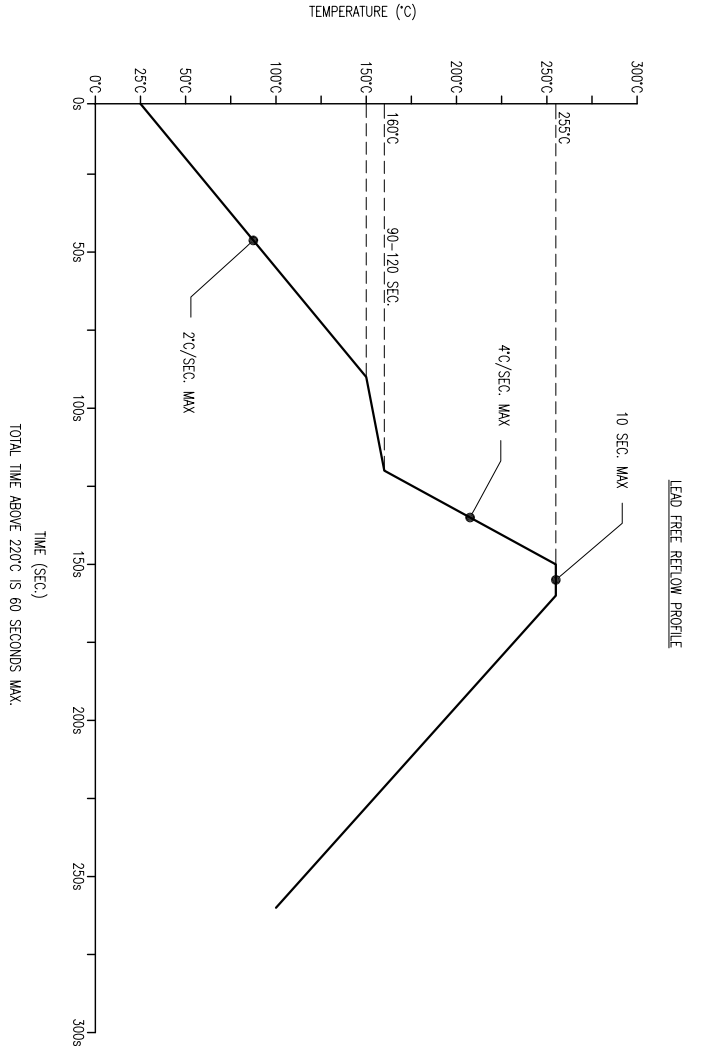
290 E. HELEN ROAD
 PALATKA, IL 60067-6976
 PHONE: +1 847 359 2790
 FAX: +1 847 359 6538
 WEB: WWW.LUMEX.COM
 MEMBER OF JTW PHOTONICS GROUP

0.30" 7 SEGMENT DUAL DIGIT DISPLAY, 640nm RED, HIGH TEMP., COMMON ANODE.

CONFIDENTIAL INFORMATION
 THE INFORMATION CONTAINED IN THIS DOCUMENT IS THE PROPERTY OF LUMEX INC. EXCEPT AS SPECIFICALLY AUTHORIZED IN WRITING BY LUMEX INC., THE HOLDER OF THIS DOCUMENT SHALL KEEP ALL INFORMATION CONTAINED HEREIN CONFIDENTIAL AND SHALL PROTECT SAME IN WHOLE OR IN PART FROM DISCLOSURE AND DISSEMINATION TO ALL THIRD PARTIES.

DATE: 03.20.12 DRAWN BY: AB
 PAGE: 1 OF 2 CHKD BY: KF
 SCALE: NTS APRVD BY: KF
 UNIT: mm [INCH]

UNCONTROLLED DOCUMENT



*UNLESS OTHERWISE SPECIFIED TOLERANCES PER DECIMAL PRECISION ARE: X=±1 (±0.039), X.X=±0.5 (±0.020), X.XX=±0.25 (±0.010), XXX=±0.127 (±0.005), LEAD SIZE=±0.05 (±0.002), LEAD LENGTH=±0.75 (±0.030), MIN= -0.000 DECIMAL PRECISION MAX.= +0.000 DECIMAL PRECISION

LUMEX
 Creating LED and LCD Solutions Together™
 290 E. HELEN ROAD
 PALATKA, IL 60067-6976
 PHONE: +1 847 359 2790
 FAX: +1 847 359 6538
 WEB: WWW.LUMEX.COM
 MEMBER OF JTW PHOTONICS GROUP

0.30" 7 SEGMENT DUAL DIGIT DISPLAY, 640nm RED, HIGH TEMP., COMMON ANODE.

THE SPECIFICATIONS MAY CHANGE AT ANY TIME WITHOUT NOTICE DUE TO NEW MATERIALS OR PRODUCT IMPROVEMENT.

CONFIDENTIAL INFORMATION
 THE INFORMATION CONTAINED IN THIS DOCUMENT IS THE PROPERTY OF LUMEX INC. EXCEPT AS SPECIFICALLY AUTHORIZED IN WRITING BY LUMEX INC., THE HOLDER OF THIS DOCUMENT SHALL KEEP ALL INFORMATION CONTAINED HEREIN CONFIDENTIAL AND SHALL PROTECT SAME IN WHOLE OR IN PART FROM DISCLOSURE AND DISSEMINATION TO ALL THIRD PARTIES.

UNCONTROLLED DOCUMENT

DATE:	03.20.12	DRAWN BY:	AB
PAGE:	2 OF 2	CHKD BY:	KF
SCALE:	NTS	APRVD BY:	KF
UNIT:	mm [INCH]		