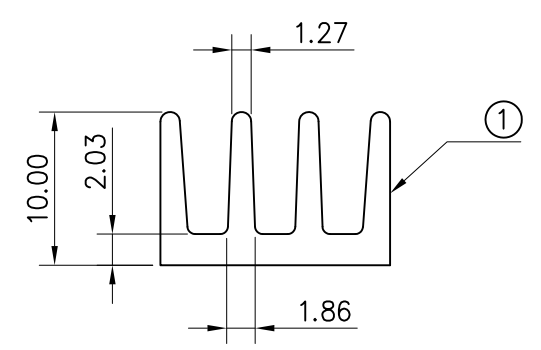
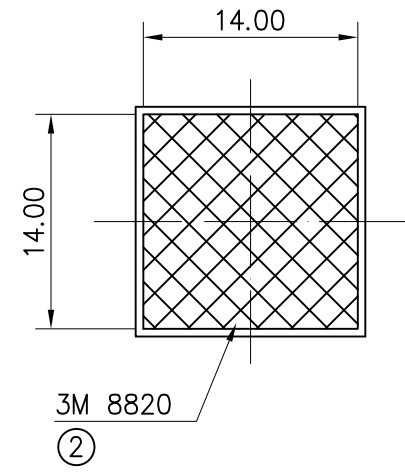
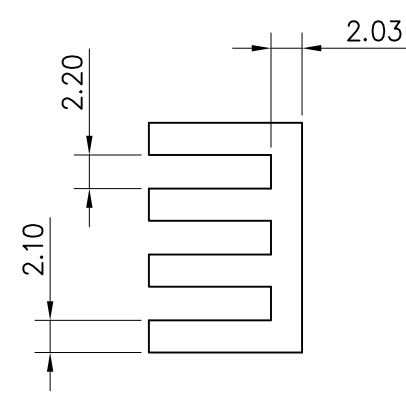
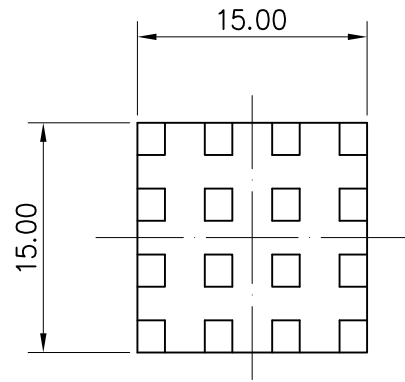


REV	Description	Approval	Date
A			06/01/2017



Unindicated TOL.

.X	±0.5mm
.XX	±0.25mm
.XXX	±0.1mm
ANG.	±0.5°

Part No
CS9461510B1



2	TIM	14*14mm 3M 8820	1PC
1	HEATSINK	15*15*10mm	1PC
NO.	NAME	SPECIFICATION	NUMBER
Cooling Source		NAME	HEATSINK
		MATERIAL	AL6063-T5
APPROVAL	CHECK	DRAWING	FINISH
Michel Gelinas		L.Wang	UNIT
DATE	06/01/2017	MM/DD/YYYY	REV
			A
			PAGE
			1/1
			SCALE