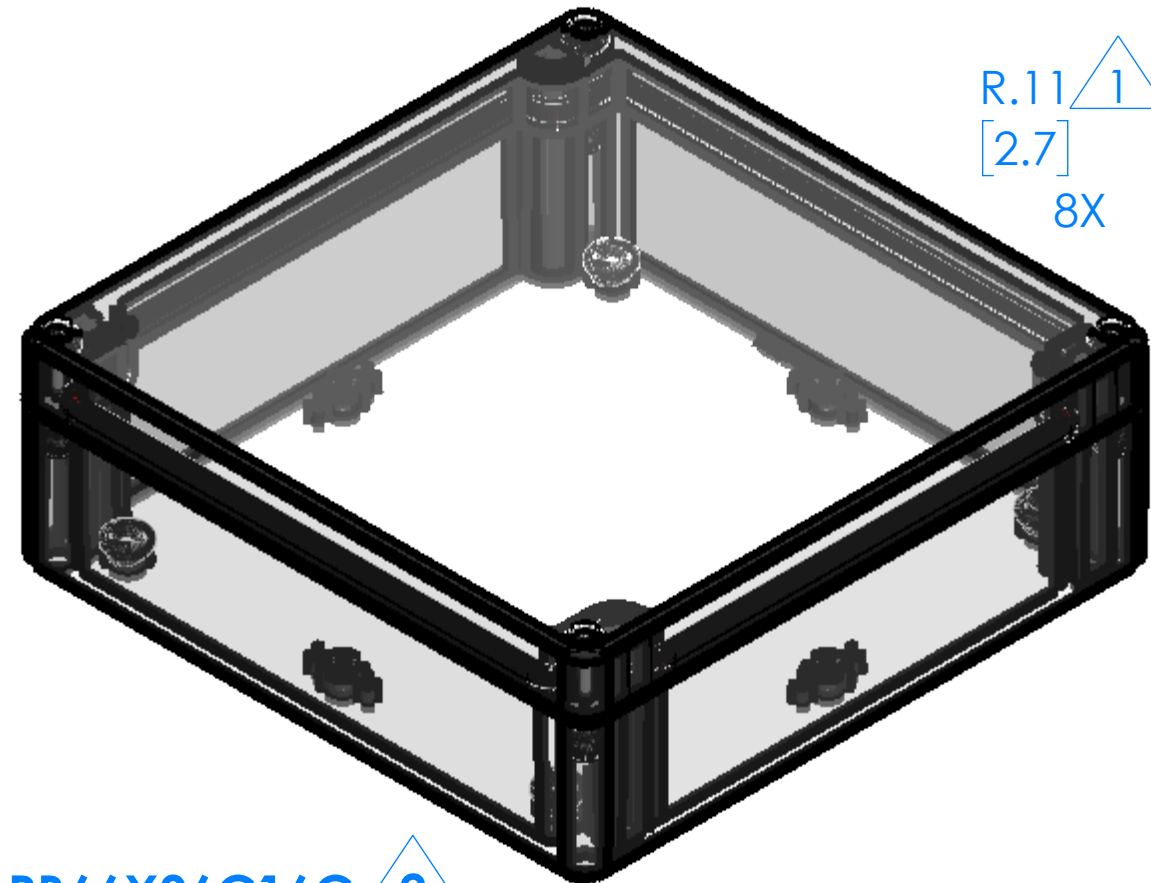
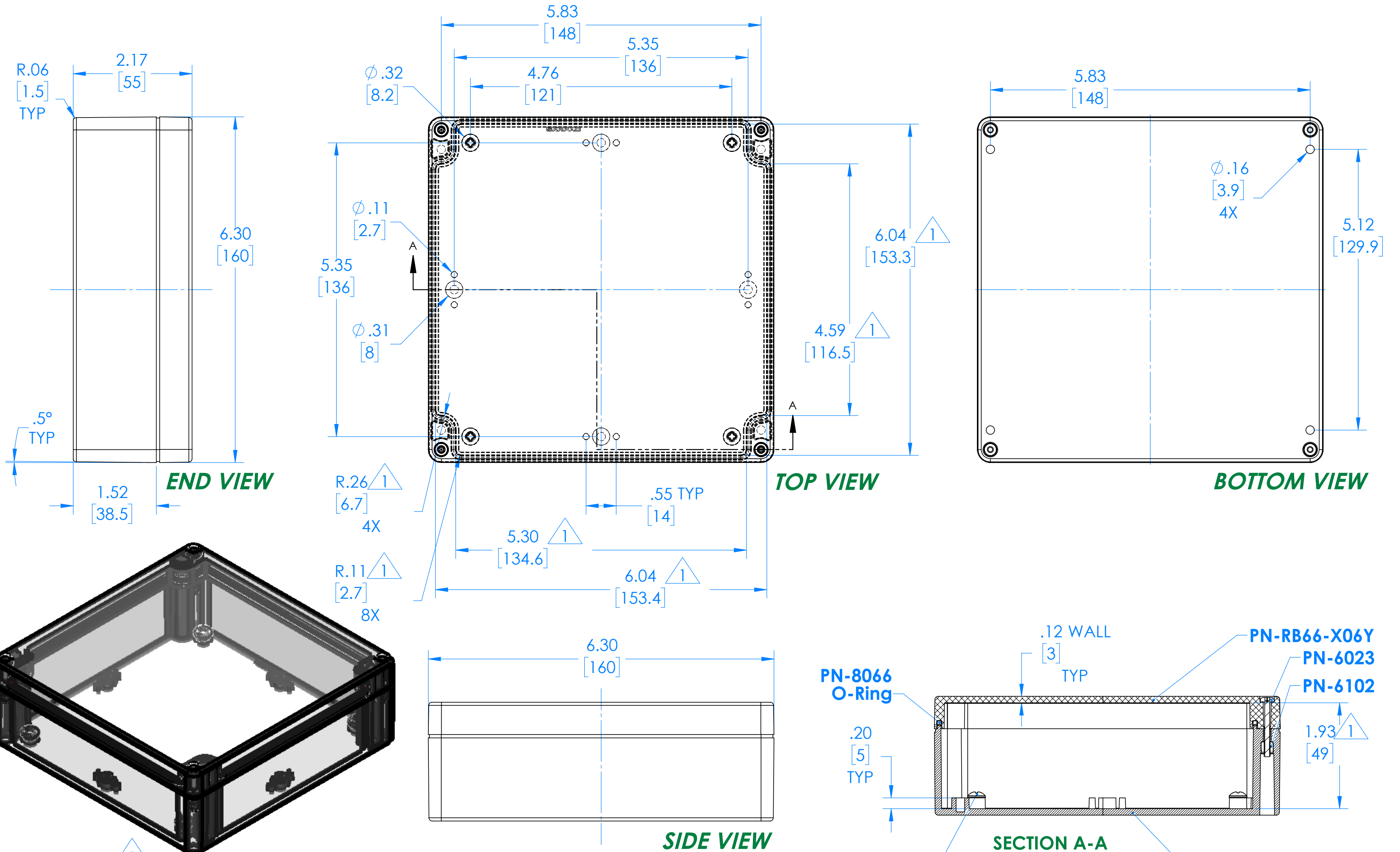


SERPAC RB66X06Y16Y 2

Electronic Enclosures

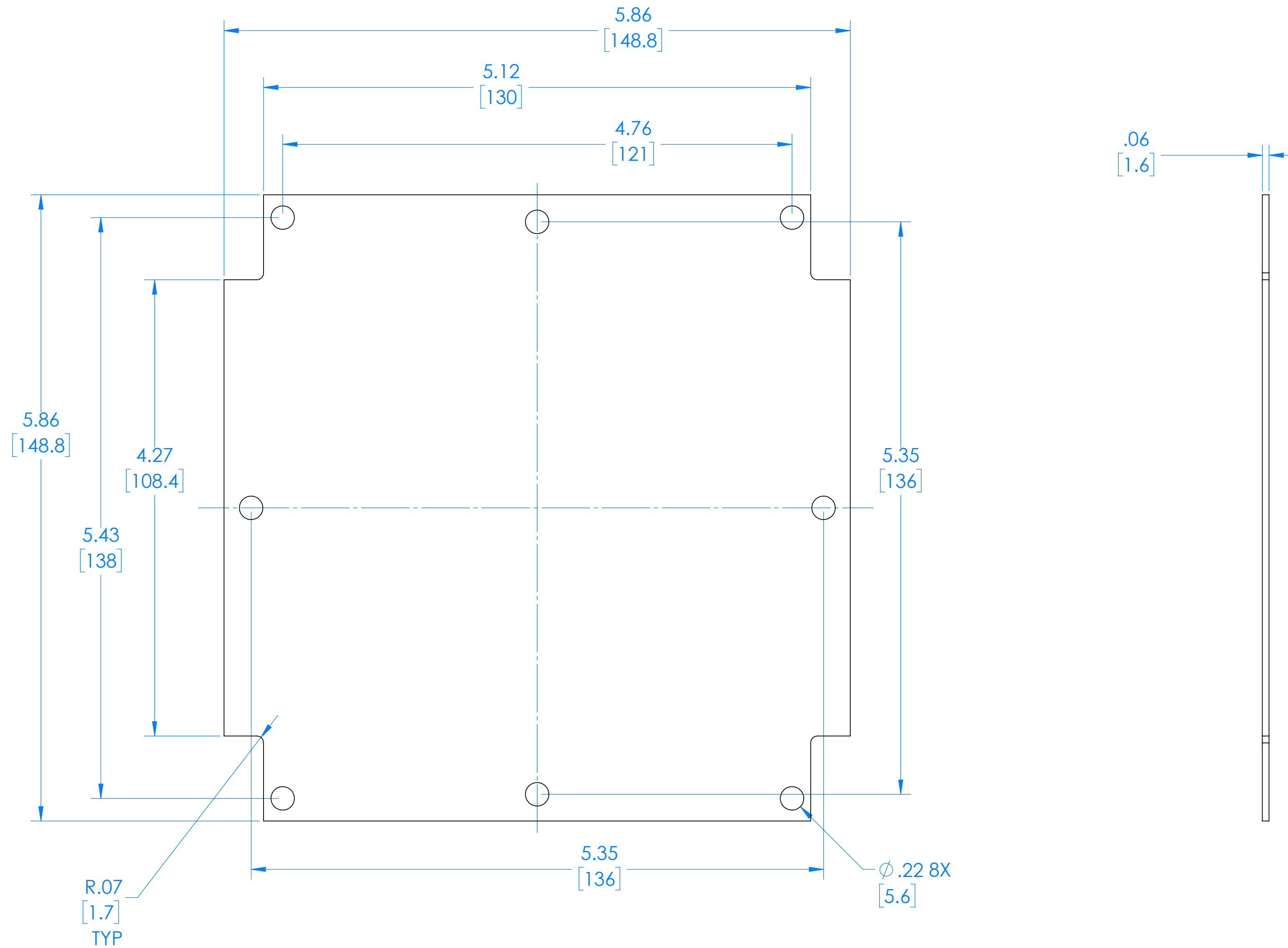


RB66X06C16C 2
 (Part shown, no material (X) specified)

PN	Description
RB66-X06Y	(1) RB66-X06Y Top
RB66X16Y	(1) RB66X16Y Bottom
8066	(1) RB66 O-Ring
6023	(4) #4-40 Torx 10 Hd Screw
6022	(4) #10 High/Low Pan Hd x 1/4"
6102	(4) #4-40 Threaded Insert

1 = INTERIOR DIMENSIONS (@ BOTTOM)
2 = STANDARD COLORS (Y) ARE: BLACK (B), CLEAR (C) AND GRAY (G)
 TOPS AND BOTTOMS ALL POSSIBLE COMBINATIONS AVAILABLE
 STANDARD MATERIALS (X) IS: POLYCARBONATE (P)
 -Watertight enclosure meets or exceed Nema 4 and or IP67.
 DIMENSIONS in Inch [mm]

RB66 Circuit Board (Fits all Parts starting with RB66)



(REFERENCE ONLY)