

MATERIALS AND FINISHES

BODY: BRASS
PLATED TRI-M

CONTACT: BRASS
PLATED SILVER

INSULATOR: TEFLON

COUPLING NUT: BRASS
PLATED NICKEL

O-RING: SILICONE RUBBER

PERFORMANCE REQUIREMENTS:

FREQUENCY RANGE: 0-6GHz
IMPEDANCE: 50 OHMS
WITHSTAND VOLTAGE(AC): 1500V @0.5mA
RETURN LOSS: ≤-26dB(0-6GHz)
PIM3(2x20W): ≤-160dBc@1800MHz

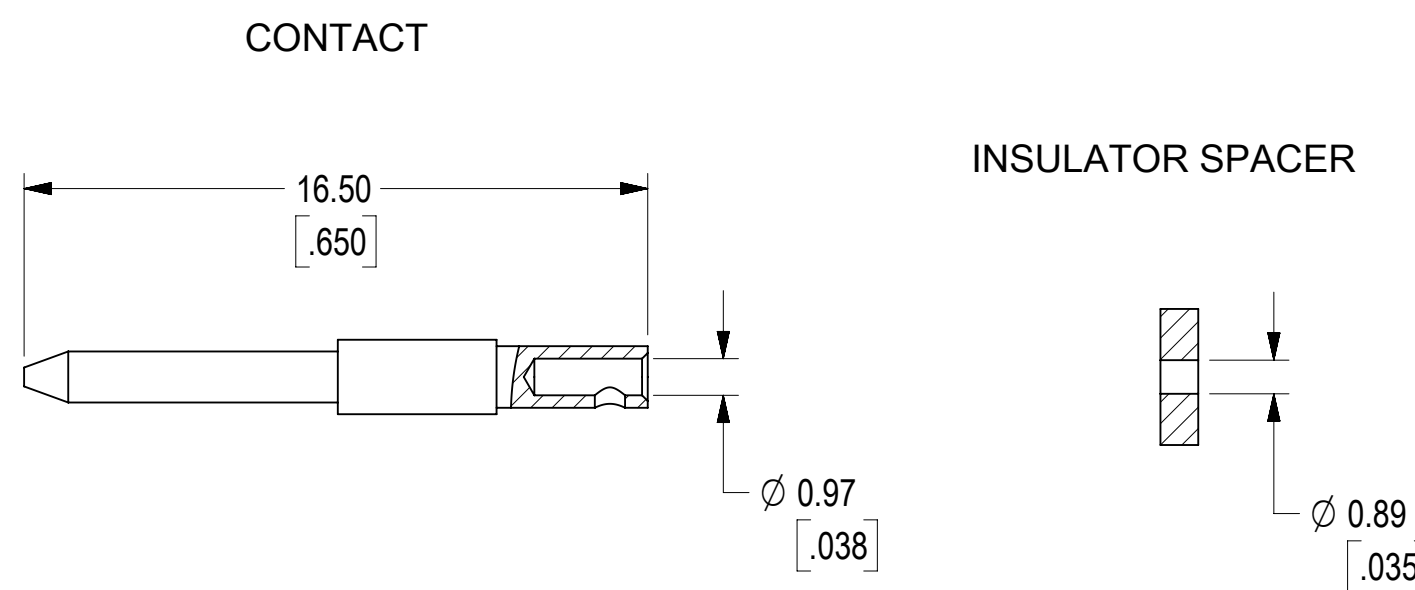
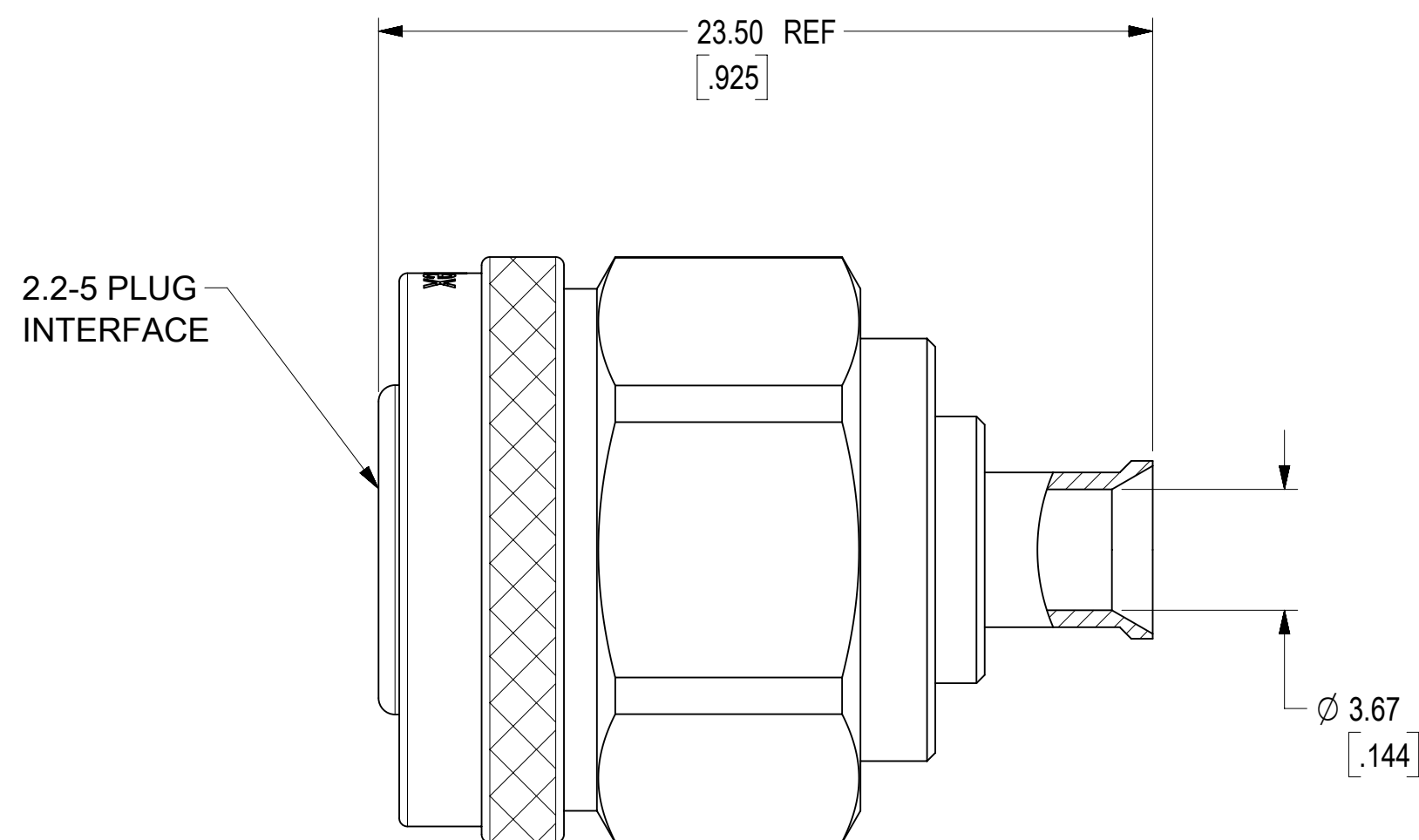
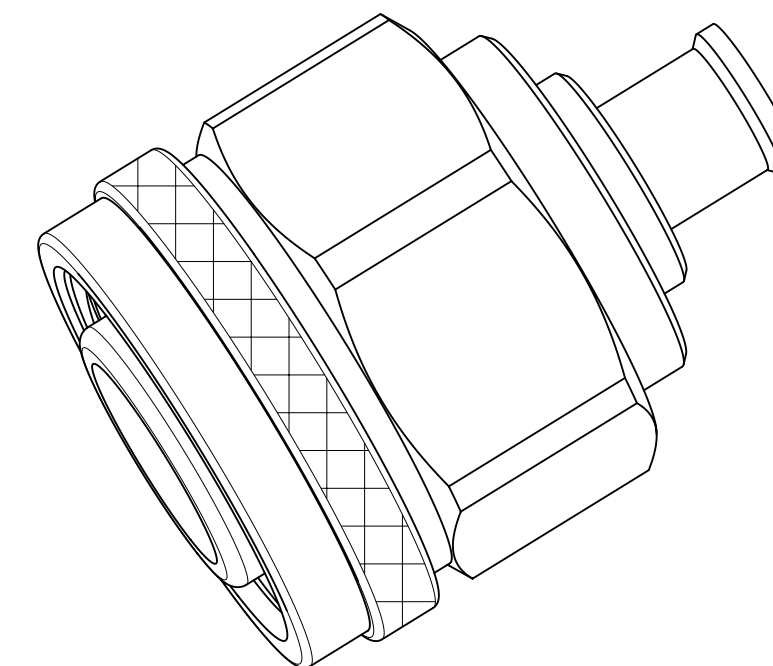


TABLE 2:

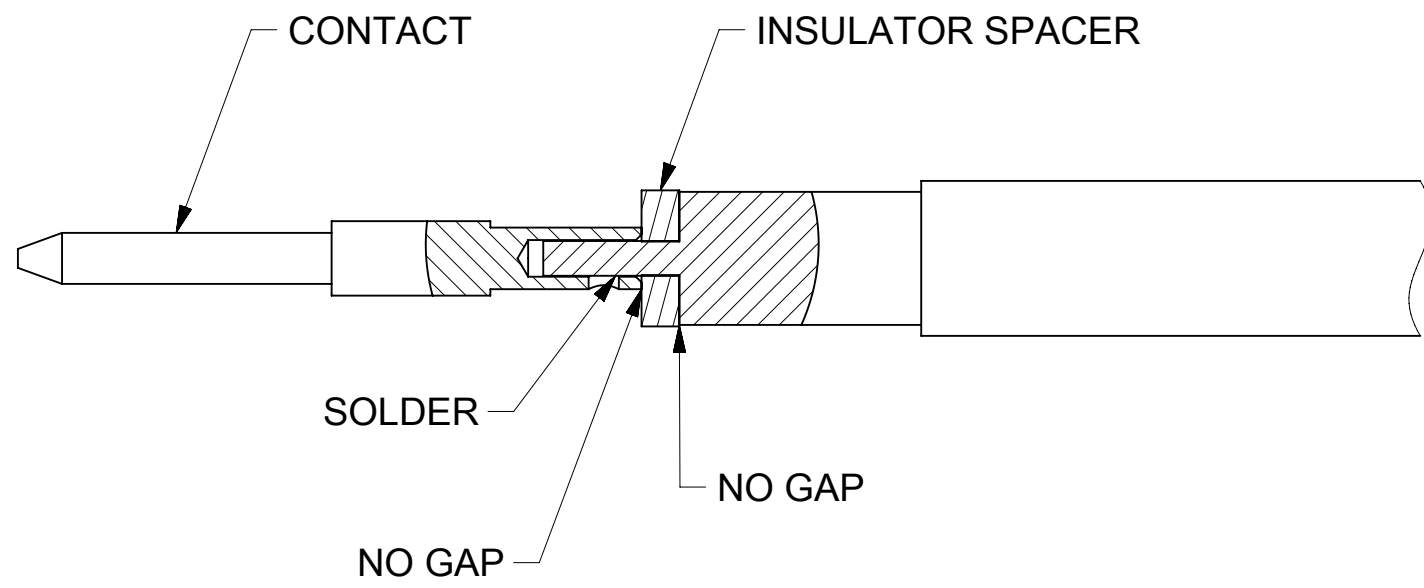
73225-0082	YES	CUSTOMER BOX
73225-0081	NO	BY TRAY
73225-0080	NO	BLANK
PART NO.	DUST CAP	PACKAGING

TABLE 1:

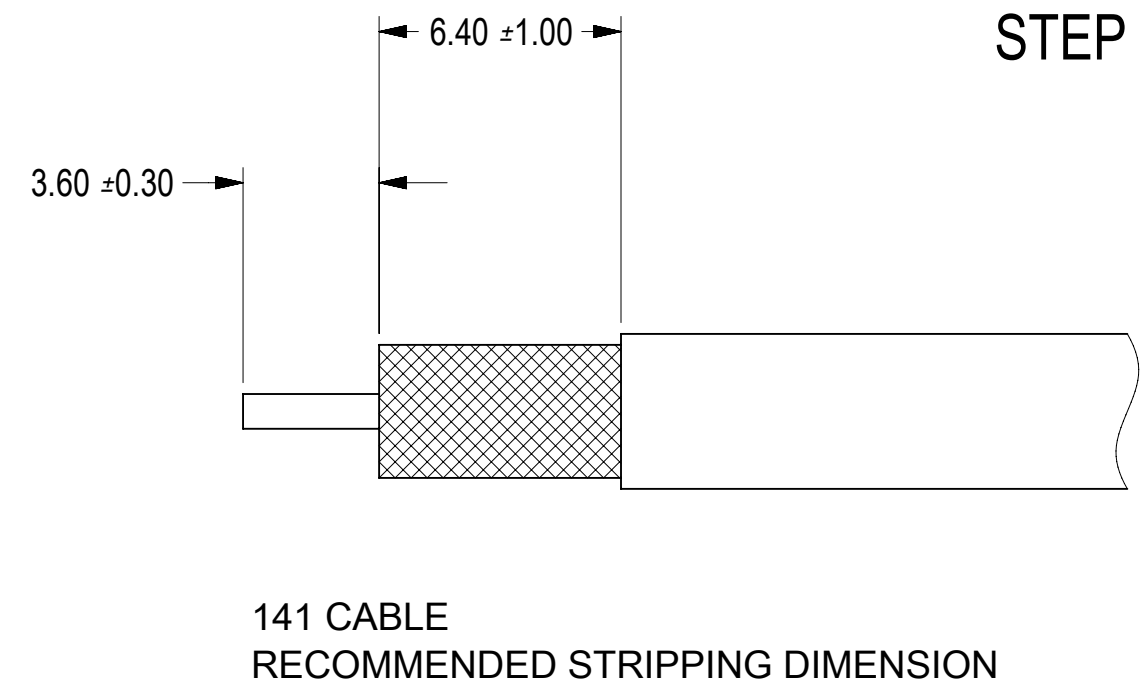
-----	2.2-5 INTERFACE
SPECIFICATION	DESCRIPTION

SYMBOLS ▽ = 0 ▽ = 0 ▽ = 0 ▽ = 0 ▽ = 0 ▽ = 0 ▽ = 0 ▽ = 0 ▽ = 0 ▽ = 0 ▽ = 0 ▽ = 0	THIS DRAWING CONTAINS INFORMATION THAT IS PROPRIETARY TO MOLEX ELECTRONIC TECHNOLOGIES, LLC AND SHOULD NOT BE USED WITHOUT WRITTEN PERMISSION DIMENSION UNITS: MM/INCH SCALE: 5:1	CURRENT REV DESC: EC NO: 627653 DRWN: YHUANG11 2019/06/06 CHK'D: MXU11 2019/11/21 APPR: LCHEN03 2019/11/22			
	GENERAL TOLERANCES (UNLESS SPECIFIED) ANGULAR TOL ± 2.0° 4 PLACES ± 3 PLACES ± 2 PLACES ± 1 PLACE ± 0 PLACES ±	INITIAL REVISION: DRWN: YHUANG11 2019/06/06 APPR: LCHEN03 2019/11/22			
	DRAFT WHERE APPLICABLE MUST REMAIN WITHIN DIMENSIONS THIRD ANGLE PROJECTION DRAWING: C-SIZE SERIES: 73225	MATERIAL NUMBER: SEE TABLE 2 CUSTOMER: GENERAL MARKET	SHEET NUMBER: 1 OF 2		
	DOCUMENT STATUS: P1 RELEASE DATE: 2019/11/22 01:39:32				

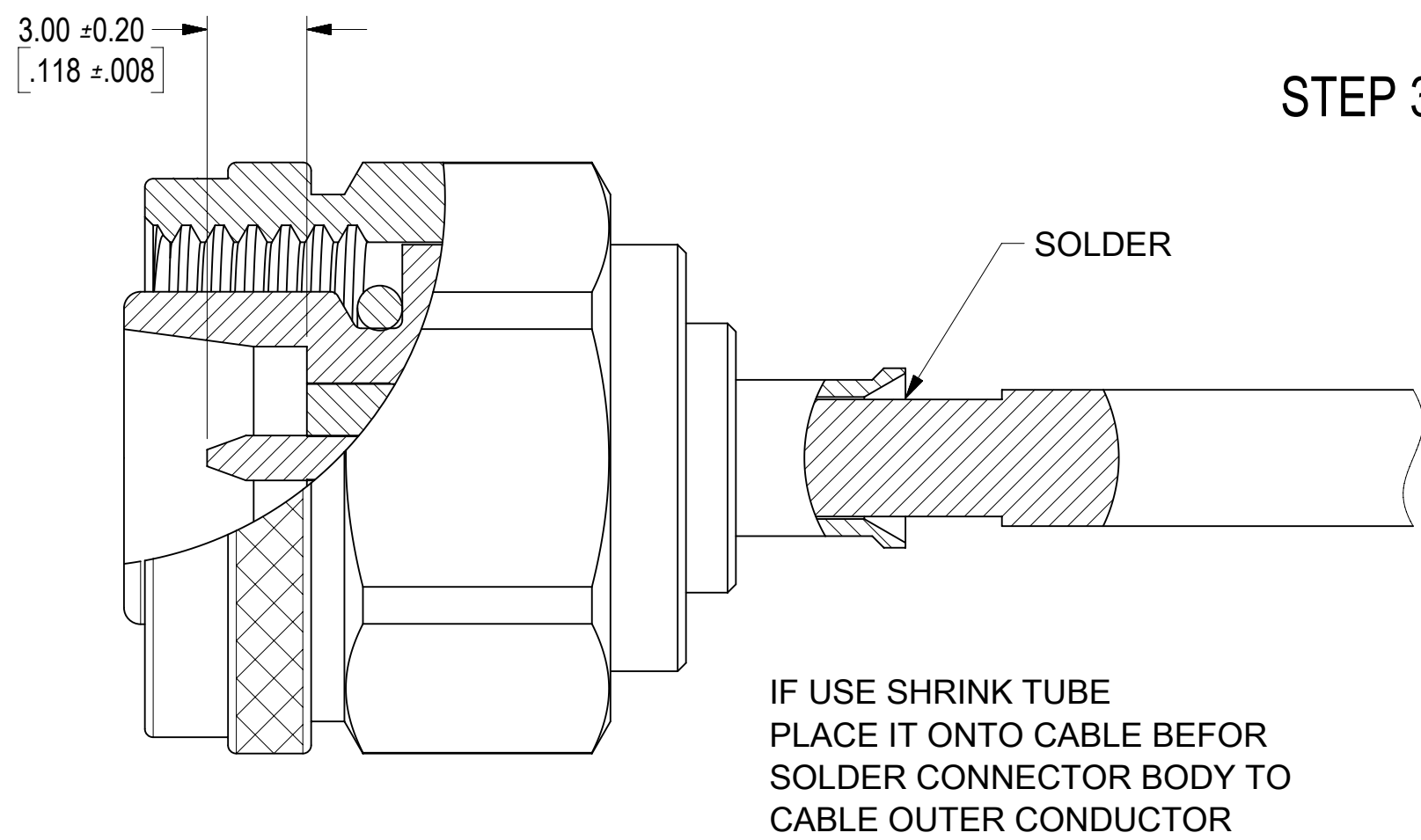
STEP 2



STEP 1



STEP 3



THIS DRAWING CONTAINS INFORMATION THAT IS PROPRIETARY TO MOLEX ELECTRONIC TECHNOLOGIES, LLC AND SHOULD NOT BE USED WITHOUT WRITTEN PERMISSION										
SYMBOLS		DIMENSION UNITS		SCALE		CURRENT REV DESC:				
▽ = 0	MM/INCH	5:1	EC NO: 627653							
▽ = 0	GENERAL TOLERANCES (UNLESS SPECIFIED)		DRWN: YHUANG11 2019/06/06							
▽ = 0	ANGULAR TOL ± 2.0°		CHK'D: MXU11 2019/11/21							
▽ = 0	4 PLACES ±		APPR: LCHEN03 2019/11/22							
▽ = 0	3 PLACES ±		INITIAL REVISION:							
▽ = 0	2 PLACES ±		DRWN: YHUANG11 2019/06/06							
▽ = 0	1 PLACE ±		APPR: LCHEN03 2019/11/22							
▽ = 0	0 PLACES ±		DRAFT WHERE APPLICABLE MUST REMAIN WITHIN DIMENSIONS		THIRD ANGLE PROJECTION		DRAWING		SERIES	
▽ = 0			C-SIZE		73225		MATERIAL NUMBER		CUSTOMER	
			SEE TABLE 2		GENERAL MARKET		DOCUMENT NUMBER		DOC TYPE DOC PART REVISION	
							732250080		PSD 000 A	
							SHEET NUMBER		2 OF 2	

molex

2.2-5 PLUG STR FOR 141 CABLE, 50 OHMS
SOLDERING, 2.2-5-PS, EWR#: 12835-A

PRODUCT CUSTOMER DRAWING