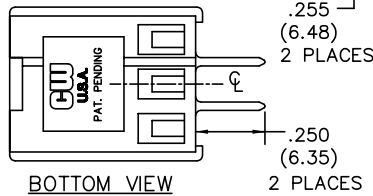
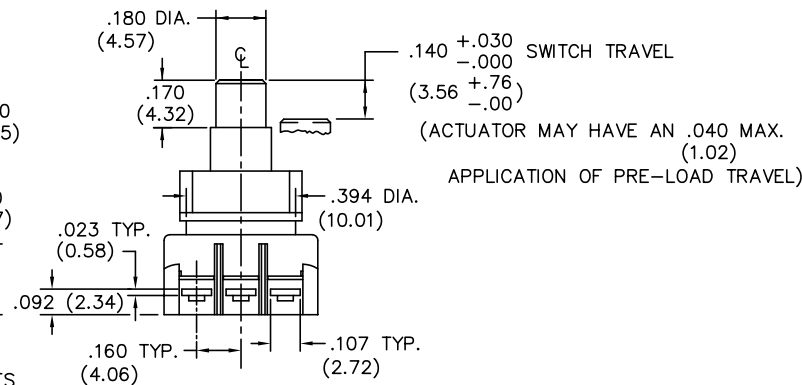
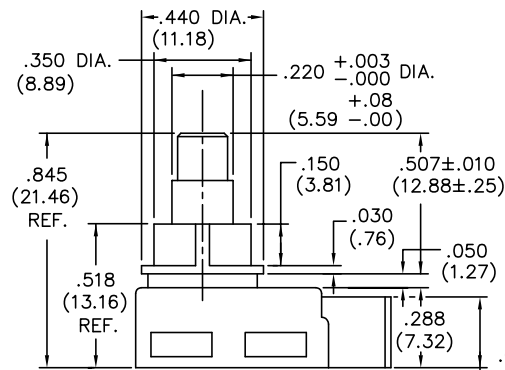
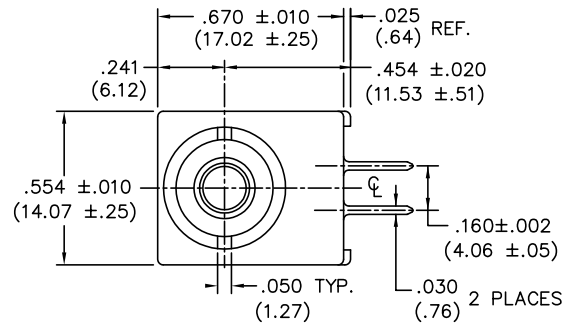


DIMENSIONS IN INCHES (MILLIMETERS)
DO NOT SCALE DRAWING

Dwg. No.
GC-536A-0114



TERMINATION - Switch mates with CW wire crimp terminal part no. G-20-225. Terminals insert & lock into slots shown on base of switch. Terminal can accept single 18 AWG. or Double Terminated 24 AWG. Wire Leads.

E
D
C
B
A

1 2 3 4 5 6 7 8 9 10

B-FORMAT 2002
REVISIONS

THIS INFORMATION IS CONFIDENTIAL AND PROPRIETARY TO CW INDUSTRIES INCORPORATED AND ITS AFFILIATES. IT MAY NOT BE DISCLOSED TO ANYONE, OTHER THAN CW INDUSTRIES PERSONNEL, WITHOUT WRITTEN AUTHORIZATION FROM CW INDUSTRIES INCORPORATED, SOUTHAMPTON, PENNSYLVANIA USA.

PDF FILE MADE	CW INDUSTRIES Southampton, Pa. 18966		Title: SWITCH ASSEMBLY PUSH ON-PUSH OFF S.P.- D.T. W/BARRIERS
	TOLERANCES UNLESS OTHERWISE SPECIFIED		
	2 Place Decimal ±.010	METRIC	Division: SWITCH
	3 Place Decimal ±.005	1 Place Dec. ±.25mm 2 Place Dec. ±.13mm	
Angles ±1°		Dwg. No. GC-536A-0114	
Made for: CW IND.	Drawn by: DGW 11-17-2010	Approval: EJP 11/19/10	
Checked by: G. Guild 11-18-10			