



# TagLock™ Securing Device for Oversized Breakers

Catalog #: 148692, 148691, 148685

www.bradyid.com

**Design**

- Oversized 480/600V frame lockout fits breaker switches up to 2.25" wide and 7/8" thick
- Secure with 50 lb. minimum strength non-releasable nylon fasteners (shown) or padlock
- Made of durable polypropylene and glass filled, impact modified nylon
- New blade design gets better grip, works on even more breaker models



**Material**

- Oversized 480/600V frame lockout fits breaker switches up to 2.25" wide and 7/8" thick
- Secure with 50 lb. minimum strength non-releasable nylon fasteners (shown) or padlock
- Made of durable polypropylene and glass filled, impact modified nylon
- New blade design gets better grip, works on even more breaker models

**Temperature Range**

- Polypropylene: -20° to 80°C (0° to 175°F)
- Glass-filled Nylon: -20° to 120°C (0° to 250°F)

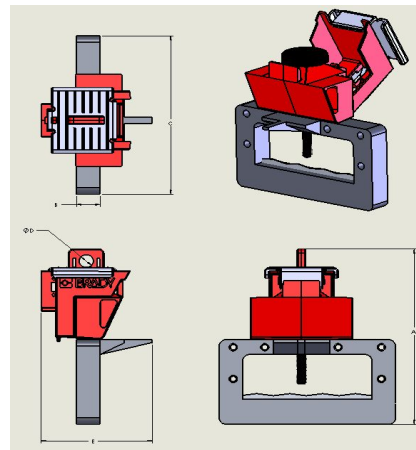
**Chemical Resistance**

All approved chemicals listed are based on the manufacturer's specified chemical resistance chart for plastic material only.

Chemical	°C	Chemical	°C
Acetone	25	Petroleum	25
Acetone	60	Turpentine oil	25
Chlorine, chlorine water	25	Turpentine substitute (white spirit)	25
Fuel, engine: Gasoline (normal & premium grade)	85	Trichloroethane 1,1,1	45
Lubrication oil: gear oil	< 120	Lubricating oil: HD engine oils, hydraulic oils, transformer oils	< 120
Fuel, engine: M15 mixture (15% methanol)	70	Water (including seawater)	25
Methanol	25	Water (including seawater), chlorinated (<0,5 mg/l)	80

**Dimensions**

"A"	-	4.143" [105.24mm]
"B"	-	0.5" [12.7mm]
"C"	-	3.75" [95.25mm]
"D"	-	0.302" [7.66mm]
"E"	-	2.358" [59.88mm]



## MSDS Information

### 1. HAZARDS IDENTIFICATION

This product is NOT DANGEROUS and contains no hazardous ingredients.

### 2. FIRST AID MEASURES/HEALTH INFORMATION /PROTECTION

Eye Contact:	Not applicable, product is inert
Ingestion:	Not applicable, first aid is not normally required.
Inhalation:	Not applicable
Skin Contact:	Not applicable, product is inert, except if product is melted use gloves. For hot melted product, immerse in or flush affected area with water to dissipate heat, then obtain medical attention.
Exposure Limits:	None
Threshold Limits	None
Personal Protection:	None (ambient conditions)
NPCA-HMIS Rating:	Health: 0; Flammability: 1; Reactivity: 0
NFPA-704 Rating:	Health: 0; Flammability: 1; Reactivity: 0

### 3. FIRE-FIGHTING MEASURES

<ul style="list-style-type: none"> <li>Be cautious of hot melted Nylon</li> </ul>	<ul style="list-style-type: none"> <li>Use water spray to cool fire, exposed surfaces, and to protect personnel</li> </ul>
<ul style="list-style-type: none"> <li>Isolate product from fire</li> </ul>	<ul style="list-style-type: none"> <li>Respiratory and eye protection is required for fire fighting personnel</li> </ul>
<ul style="list-style-type: none"> <li>Extinguish fire with water spray</li> </ul>	<ul style="list-style-type: none"> <li>Decomposition products under fire conditions: Oxygen-lean conditions may cause monoxide and irritating smoke</li> </ul>

### 4. ACCIDENTAL RELEASE MEASURES

Land	Recover material and place in suitable container for reuse or for disposal in conformance with local regulations.
Water	Recover material and place in suitable container for reuse or for disposal in conformance with local regulations.

### 5. HANDLING AND STORAGE

5.1 Handling	5.2 Storage
No precautions noted-see local regulation if needed	Storage pressure: Atmospheric
	Storage temperature: Ambient, no direct sunlight

### 6. EXPOSURE CONTROLS/PERSONAL PROTECTION

6.1 Exposure limit values	6.2 Exposure Controls
None	6.2.1 Occupational Exposure Controls
	6.2.1.1 Respiratory Protection: Not applicable
	6.2.1.2 Hand Protection: Not applicable
	6.2.1.3 Eye Protection: Not applicable
	6.2.1.4 Skin Protection: Not applicable
	6.2.2 Environmental Exposure Controls: No data available

## MSDS Information (continued)

### 7. PHYSICAL AND CHEMICAL PROPERTIES

General Information	
Other Information	

**8. STABILITY AND REACTIVITY**

8.1 Conditions to Avoid
Higher temperatures and direct sunlight (chemical resistance is excellent)
Highly stable, but temperatures over 480 F may cause degradation
8.2 Materials to Avoid
No data available
8.3 Hazardous Decomposition Products
Under fire and oxygen-lean conditions may cause monoxide and irritating smoke

**9. ECOLOGICAL INFORMATION**

9.1 Ecotoxicity	No data available
9.2 Mobility	No data available
9.3 Persistence and Degradability	No data available
9.4 Bioaccumulative Potential	No data available
9.5 Other Adverse Effects	No data available

**10. DISPOSAL CONSIDERATIONS**

None of the materials in this product are Recyclable, dispose of all materials in accordance with an applicable federal, state, and local law.
--

**11. TRANSPORT INFORMATION**

No data available
-------------------

**12. REGULATORY INFORMATION**

This product has been tested and validated to the Regulatory Requirements listed below:	
● OSHA 29 CFR 1910.147 ©(4)(ii)(A)(1)/(c)(5)(ii)(C)(1)	● ANSI Standard Z244

**13. OTHER INFORMATION**

No data available
-------------------

**WARRANTY STATEMENT**

Supplier warrants that all goods will be free from defects in materials and workmanship for a period of six (6) months from the time of delivery to the consumer by Supplier. Repair, replacement or credit (at Supplier’s option) upon return of the goods is Purchaser’s sole remedy for any such losses, expenses, inconveniences or damages. The limited warranty does not apply if (1) the defect is the result of use or handling of the goods in a manner, circumstance, or purpose other than those approved or instructed by Supplier, as identified in the installation procedures accompanying the product, the instruction for use found on the product and as found on the Brady’s website; or (2) the goods are misused or abused or there is evidence of tampering, mishandling, neglect, accidental damages, modifications or repair without the approval of Supplier.

Copyright 2019 Brady Worldwide, Inc. | All Rights Reserved  
 Material may not be reproduced or distributed in any form without written permission.