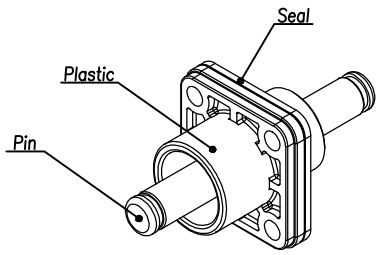


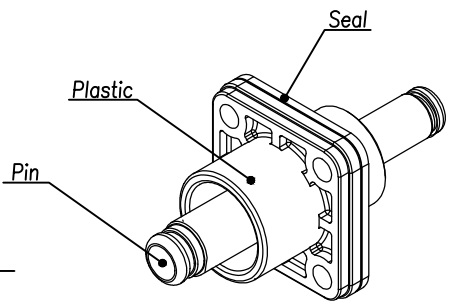
THIS DRAWING IS SUPPLIED FOR INFORMATION ONLY. DESIGN FEATURES, SPECIFICATIONS AND PERFORMANCE DATA SHOWN HEREON ARE THE PROPERTY OF THE AMPHENOL CORPORATION. NO RIGHTS OF REPRODUCTION ARE IMPLIED. ALL DIMENSIONS ARE SUBJECT TO NORMAL MANUFACTURING VARIATIONS.

CUSTOMER DRAWING

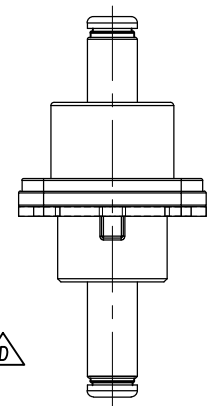
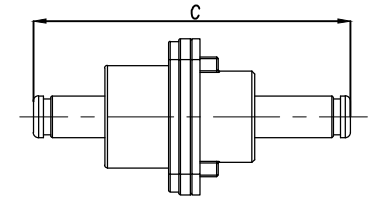
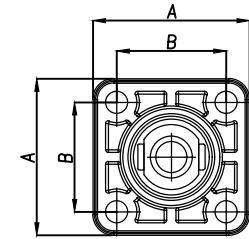
REVISIONS				
REV	DESCRIPTION	DATE	BY	APPR
A	INITIAL RELEASE	02/07/14	DH	EC
B	ADD SIZE 14.0mm	06/12/14	DH	EC
C	CHANGE DIMENSION "E, G" FOR SIZE 14.0	09/15/14	DH	EC
D	Add a view of 10.0 and 14.0	01/11/18	KW	JG



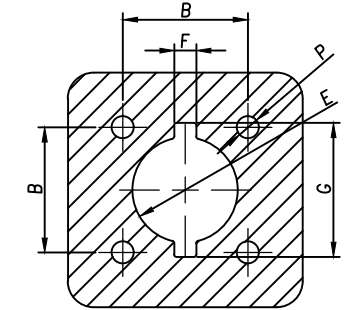
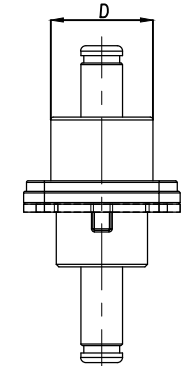
RADLOK 3.6mm, 5.7mm, 8.0mm, 12.00mm



RADLOK 10.0mm and 14.0mm



Only for 10.0mm and 14.0mm



Panel Size

Ordering Example:

RadLok _____ RL 9 080 - 30 X - F1

RadLok Pin _____

RadLok Size: Ø8.0mm _____

Pin To Pin _____

Plating: 1 - Silver _____

 2 - Tin _____

 3 - Nickel _____

Feed Thru _____

Specification

Size (mm)	A (mm)	B (mm)	C (mm)	D (mm)	E (mm)	F (mm)	G (mm)	P	Current (A)	Ordering Number (XXX-For Plating)	Plating
3.6	21.0	14.0	41.3	11.9	11.9	2.8	15.2	M3	70	RL9036-30X-F1	1 Silver
											2 Tin
											3 Nickel
5.7	25.0	17.0	50.0	15.2	14.7	18.2	M4	120	RL9057-30X-F1		
8.0	30.0	21.0	60.8	19.6	18.2	23.7	23.7	M4	200	RL9080-30X-F1	
10.0	33.0	24.0	74.5	23.0	20.6	4.2	25.7	M4	300	RL9100-30X-F1	
12.0	36.0	26.0	78.0	25.5	23.3	27.7	27.7	M4	400	RL9120-30X-F1	
14.0	37.0	27.0	96.0	28.0	27.3	31.8	31.8	M4	500	RL9140-30X-F1	



	Amphenol Technical Products International GZ					
	第三角投影 THIRD ANGLE PROJECTION 	页面 SHEET 1 OF 2	幅面 SIZE A3	版次 REV. D	比例 SCALE 	PART NAME: RADLOK® Feed Thru Pin To Pin
签名 SIGNATURE 制图 DRAWN 审核 CHECKED 批准 APPROVAL	日期 DATE KW SAM JG	01/11/2018 01/11/2018 01/11/2018	UNLESS OTHERWISE SPECIFIED 1) All dimensions are in metric(mm). 2) Tolerances are as follows: 0 PL DEC ±1.00 1 PL DEC ±0.50 2 PL DEC ±0.20 Angles ±1°			DWG NO: See Specification
					CUST PART #: N/A	

THIS DRAWING IS SUPPLIED FOR INFORMATION ONLY. DESIGN FEATURES, SPECIFICATIONS AND PERFORMANCE DATA SHOWN HEREON ARE THE PROPERTY OF THE AMPHENOL CORPORATION. NO RIGHTS OF REPRODUCTION ARE IMPLIED. ALL DIMENSIONS ARE SUBJECT TO NORMAL MANUFACTURING VARIATIONS.

CUSTOMER DRAWING

REVISIONS				
REV	DESCRIPTION	DATE	BY	APPR
A	INITIAL RELEASE	02/07/14	DH	EC
B	ADD SIZE 14.0mm	06/12/14	DH	EC
C	CHANGE DIMENSION "E, G" FOR SIZE 14.0	09/15/14	DH	EC
D	Add a view of 10.0 and 14.0	01/11/18	KW	JG

Table				
Plating Type	Description	FG P/N(BK)	FG P/N(OR)	FG P/N(RE)
Silver 镀银	RL9036-301-F1	AC-HA000395	AC-HA001633	AC-HA001723
	RL9048-301-F1	AC-HA000396	AC-HA001634	AC-HA001724
	RL9057-301-F1	AC-HA000397	AC-HA001635	AC-HA001725
	RL9080-301-F1	AC-HA000398	AC-HA001636	AC-HA001726
	RL9091-301-F1	AC-HA000399	AC-HA001637	AC-HA001727
	RL9100-301-F1	AC-HA000400	AC-HA001638	AC-HA001728
	RL9120-301-F1	AC-HA000401	AC-HA001639	AC-HA001729
Tin 镀锡	RL9140-301-F1	AC-HA000402	AC-HA001640	AC-HA001730
	RL9036-302-F1	AC-HA001034	AC-HA001663	AC-HA001753
	RL9048-302-F1	AC-HA001035	AC-HA001664	AC-HA001754
	RL9057-302-F1	AC-HA001036	AC-HA001665	AC-HA001755
	RL9080-302-F1	AC-HA001037	AC-HA001666	AC-HA001756
	RL9091-302-F1	AC-HA001038	AC-HA001667	AC-HA001757
	RL9100-302-F1	AC-HA001039	AC-HA001668	AC-HA001758
Nickel 镀镍	RL9120-302-F1	AC-HA001040	AC-HA001669	AC-HA001759
	RL9140-302-F1	AC-HA001041	AC-HA001670	AC-HA001760
	RL9036-303-F1	AC-HA000354	AC-HA001693	AC-HA001783
	RL9048-303-F1	AC-HA000355	AC-HA001694	AC-HA001784
	RL9057-303-F1	AC-HA000356	AC-HA001695	AC-HA001785
	RL9080-303-F1	AC-HA000357	AC-HA001696	AC-HA001786
	RL9091-303-F1	AC-HA000358	AC-HA001697	AC-HA001787
	RL9100-303-F1	AC-HA000359	AC-HA001698	AC-HA001788
RL9120-303-F1	AC-HA000360	AC-HA001699	AC-HA001789	
RL9140-303-F1	AC-HA000361	AC-HA001700	AC-HA001790	

	Amphenol Technical Products International GZ				PART NAME: RADLOK® Feed Thru Pin To Pin		
	第三角投影 THIRD ANGLE PROJECTION 	页面 SHEET 2 OF 2	幅面 SIZE A3	版次 REV. D	比例 SCALE	DWG NO: See Specification	
签名 SIGNATURE 制图 DRAWN: KW 审核 CHECKED: SAM 批准 APPROVAL: JG	日期 DATE 01/11/2018 01/11/2018 01/11/2018	UNLESS OTHERWISE SPECIFIED 1) All dimensions are in metric(mm). 2) Tolerances are as follows: 0 PL DEC ±1.00 1 PL DEC ±0.50 2 PL DEC ±0.20			Angles ±1°	CUST PART #: N/A	CUST REV. D