

LP

Illuminated Pushbutton Switches



UL CSA

TELLTY

RoHS Compliant

■ Features

1. Low Profile

Ideal for low profile PC mounting or snap-in mounting with tight behind panel dimensions.

2. Full Face Illumination

Bright LED provides excellent illumination

3. Two Mounting Methods

PC board mount or snap-in panel mount.

4. Snap-Action Mechanism

Snap-action mechanism provides tactile feel.

5. UL Recognized and CSA Certified

Switches are UL recognized and CSA certified.

■ Specification

Rating	Gold plated contact	(Max.) 0.4VA AC/DC • Voltage 20mV~48V • Current 0.1mA~50mA (Min.) 20mVAC/DC 0.1mA
Initial contact resistance	Gold plated contacts ; 100mΩ max. (1.5mA 200μVAC)	
Dielectric strength	1,500VAC 1 minute	
Insulation resistance	100MΩ min. (500VDC)	
Contact Bounce	10 msec. max.	
Electrical life	Gold plated contact	50,000 operations (50mA 48VAC/DC) 200,000 operations (0.4VA AC/DC)
Operating force	1 pole	1.47±0.98N
	2 poles	2.26±0.98N
Travel	Total travel	2.3mm
	Lock travel alternate	1.5mm
Operating temperature range	-15~+60°C	
Storage temperature range	-25~+70°C	

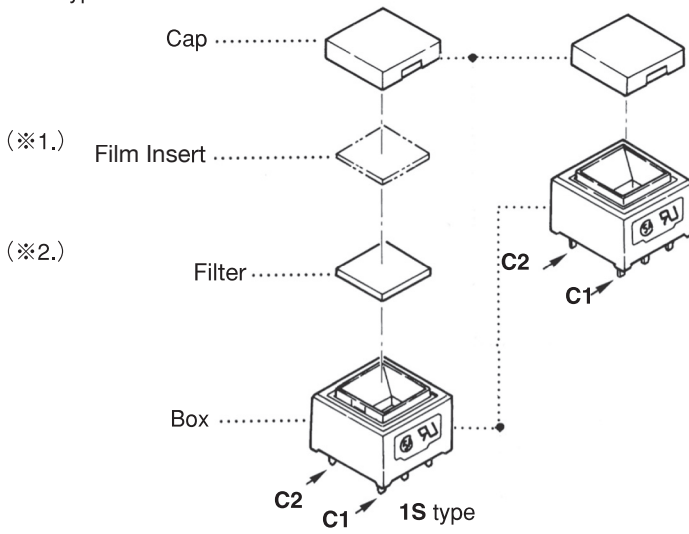
■ Approvals

UL File No.E43275

CSA File No.LR38341

■Component

LP1S type



(※1.) : Optional film insert is provided by the customer.

(※1.) (※2.) : Legending instructions shown on Page 215.

■Part Numbering

1. Nonilluminated

LP 1 S - 2 6 G - W - Z

Series code

Code	Box & Terminal style
1	Without Flange & PC Terminal
2	With Flange & Solder Lug

Code	Poles
1	1 pole
2	2 poles

Code	Cap color
W	White
R	Red
K	Black
G	Gray

Code	Cap size
S	12×12

Code	Circuit Function
6	ON - (ON)
7	ON - ON

■ Part Numbering

2. Illuminated

LP 1 S - 2 6 G - 2-2 9 - Z

Series code

Code	Box & Terminal style
1	Without Flange & PC Terminal
2	With Flange & Solder Lug

Code	Poles
1	1 pole
2	2 poles

Code	Cap size
S	12×12

Code	Circuit Function
6	ON - (ON)
7	ON - ON

Code	Filter
9	White clear
2	Red clear
5	Green clear

Combination	LED color	Cap color
22	2	2 Red clear
20	2	0 Clear
55	5	5 Green clear
50	5	0 Clear
88	8	8 Yellow clear
80	8	0 Clear

Terminal Style

	LP1	LP2
Terminal style		
LED terminal style		

LED Specification

Type	LED Q'ty	Internal LED wiring
LP1S LP2S	Single	

Symbol	Color	I _F	V _F		V _R
			Nom.	Max.	
2	Red	30mA	2.0V	2.8V	DC4V
5	Green	25mA	2.1V	2.8V	DC4V
8	Yellow	30mA	2.2V	2.8V	DC4V

Current to be applied to the LED must be lower than the forward current (I_F) indicated in the LED Specifications of each switches. Resistance value R should be calculated using the following formula.

- Case of static lighting system.

$$R = \frac{E - V_F}{I_F}$$

- Case of dynamic lighting system.

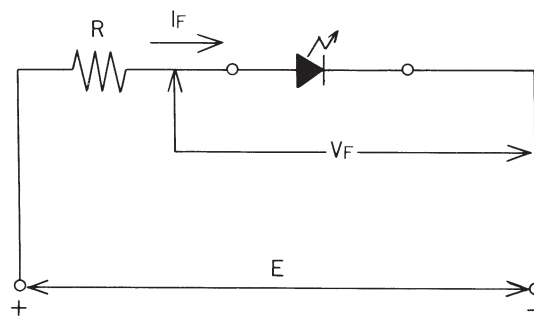
$$R = \frac{E - V_F}{I_{FM}}$$

- When LEDs are used by a pulse lighting system

- P_w : 0.1 msec.
- D_r : 1/10
- I_{FM} : 50mA (All colors)
- E : 5V
- V_F : 2V

- Calculation Example

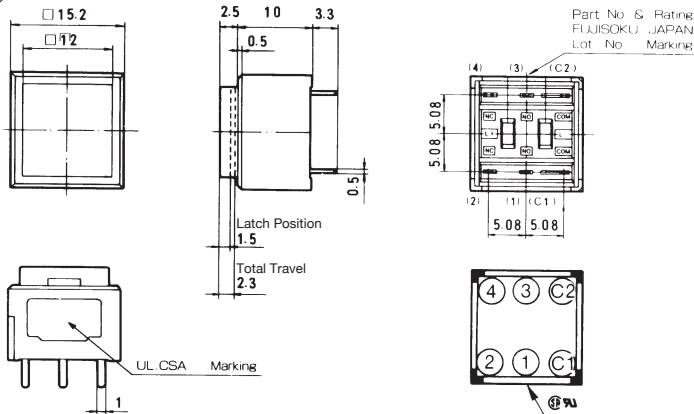
$$R = \frac{5 - 2}{0.05} = 60(\Omega)$$



LP (Nonilluminated)

TELLTY

LP1S (SPDT·DPDT)



PC Mount

● 1 pole versions do not have terminals (3), (4), and (C2).

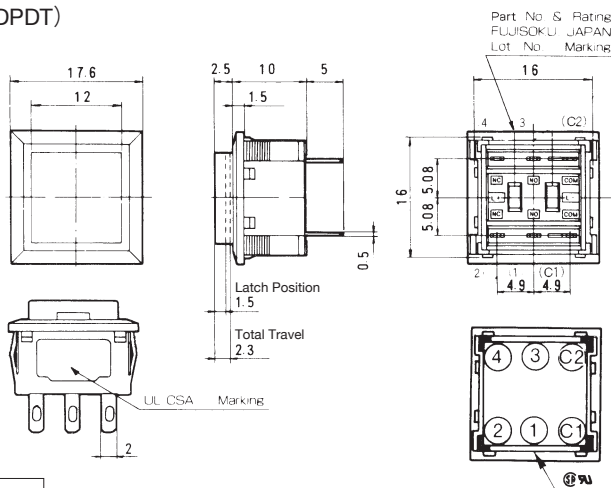
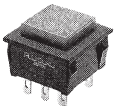


Part No.	Switching function	
LP1S-16G-□-Z	ON	(ON)
LP1S-17G-□-Z	ON	ON
Connected Terminals	(C1) - (2)	(C1) - (1)
LP1S-26G-□-Z	ON	(ON)
Connected Terminals	(C1) - (2) (C2) - (4)	(C1) - (1) (C2) - (3)

Table of Part Numbers

Cap color	Gold contacts	
	1 pole	2 poles
White	☆LP1S-16G-W-Z	LP1S-26G-W-Z
Red	☆LP1S-16G-R-Z	—
Black	☆LP1S-16G-K-Z	—
Gray	☆LP1S-16G-G-Z	—
Black	☆LP1S-17G-K-Z	—

LP2S (SPDT·DPDT)



Snap-in Mount

● 1 pole versions do not have Terminals (3), (4), and (C2).



Part No.	Switching function	
LP2S-16G-□-Z	ON	(ON)
Connected Terminals	(C1) - (2)	(C1) - (1)
LP2S-26G-□-Z	ON	(ON)
LP2S-27G-□-Z	ON	ON
Connected Terminals	(C1) - (2) (C2) - (4)	(C1) - (1) (C2) - (3)

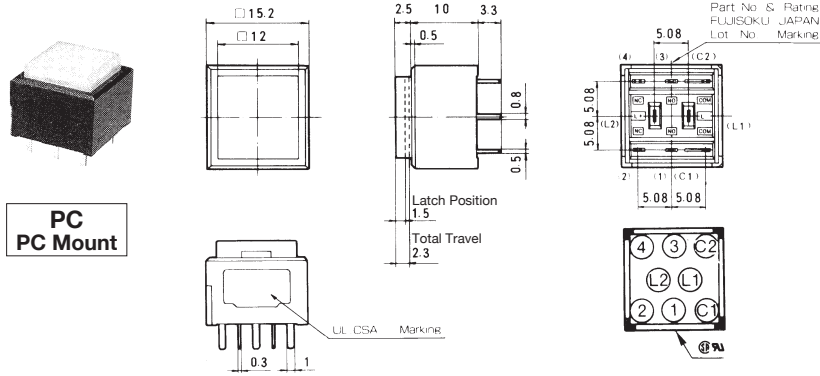
Table of Part Numbers

Cap color	Gold contacts	
	1 pole	2 poles
White	LP2S-16G-W-Z	☆LP2S-26G-W-Z
Red	☆LP2S-16G-R-Z	—
White	—	☆LP2S-27G-W-Z

LP (Nonilluminated)

TELLTY

LP1S (SPDT·DPDT)



PC
PC Mount

Part No.	Switching function	
LP1S-16G-■■■■-Z	ON	(ON)
Connected Terminals	(C1) - (2)	(C1) - (1)
LED circuit		
LP1S-26G-■■■■-Z	ON	(ON)
LP1S-27G-■■■■-Z	ON	ON
Connected Terminals	(C1) - (2) (C2) - (4)	(C1) - (1) (C2) - (3)
LED circuit		

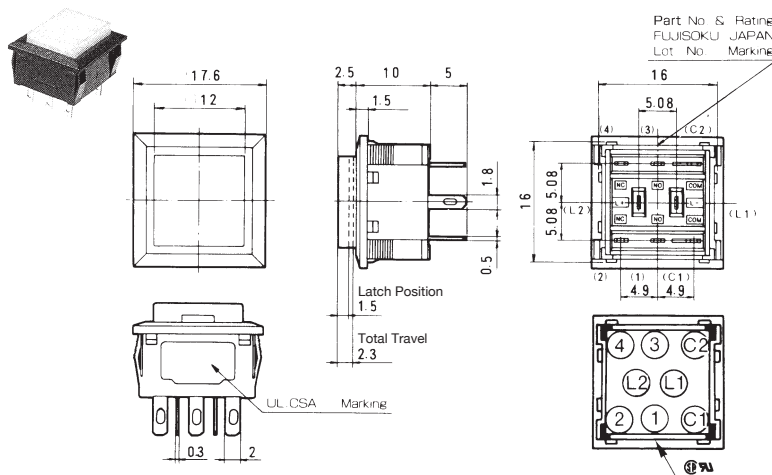
● 1 pole versions do not have Terminals (3), (4), and (C2).

Table of Part Numbers

LED and Cap color		Red
Gold contacts	2 Poles	☆LP1S-27G-229-Z

LED color		Red	Green	Yellow	Red	Green
Cap color		clear				
Filter color		White clear	White clear	White clear	Red clear	Green clear
Gold contacts	1 Pole	—	★LP1S-16G-509-Z	★LP1S-16G-809-Z	★LP1S-16G-202-Z	—
	2 Poles	★LP1S-27G-209-Z	—	—	—	★LP1S-26G-505-Z

LP2S (SPDT·DPDT)



Snap-in Mount

● 1 pole versions do not have Terminals (3), (4), and (C2).

Part No.	Switching function	
LP2S-16G-■■■■-Z	ON	(ON)
Connected Terminals	(C1) - (2)	(C1) - (1)
LED circuit		
LP2S-26G-■■■■-Z	ON	(ON)
LP2S-27G-■■■■-Z	ON	ON
Connected Terminals	(C1) - (2) (C2) - (4)	(C1) - (1) (C2) - (3)
LED circuit		

Table of Part Numbers

<LP2S>

LED and Cap color		Red
Gold contacts	2 Poles	☆LP2S-26G-229-Z

LED color		Green	Red	Green
Cap color		clear		
Filter color		White clear	Red clear	Green clear
Gold contacts	1 Pole	—	—	★LP2S-16G-505-Z
	2 Poles	★LP2S-27G-509-Z	★LP2S-26G-202-Z	—

● Terminal numbers are shown on the bottom of the switch.

(ON) : Momentary

☆ : Semi-standard products. ★ : Made to order products.

PC Hole Layouts

(Top view)

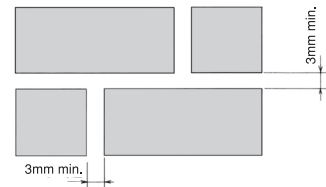
Part No.	No. of pole	Single	Pilot Light	Series
LP1S	1 pole			
	2 poles			

The blue line represents the switch outline.

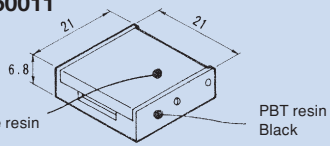
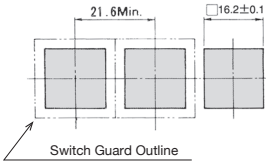
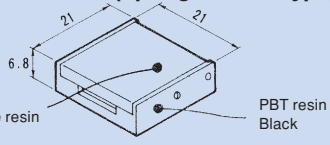
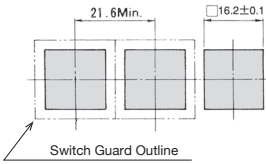
Panel Cut-Out Dimensions

Part No.	Single	Side by Side Mounting	Panel thickness
LP2S			1~2.5mm

Note) When the switches are mounted in two or more blocks, the spacing of the cutout hole between each block should be 3 mm minimum.

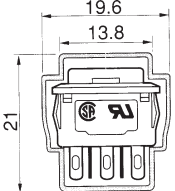


■ Optional Accessories

Part Name	Type	Dimensions	Panel cut out dimensions	Panel thickness
Switch Guard	LP2S type	140007250011 		1~1.9mm
		Switch guard LP-2S (Spring reverse type) 		

● The switch guard cannot be used with the PC mount versions.

■ Packaging Specifications

Stick			
	Series	(pcs/stick)	Stick Length
	LP1S	25	400
LP2S	25	460	

● If the order quantity is below the above packaging quantities, the packing style may be in trays.

■ Precautions

1. Soldering

- (1) Manual soldering
Device : Solder iron
 - ① 270°C max. 5 sec. max.
 - (2) Auto soldering
Device : Jet wave or dip type
 - ① 245 ± 10°C 5 sec. max.
- Preheat time shall be 30 seconds max. at 100°C max.
 - For the alternate action switches, soldering should be done with the switch in the up position.

3. Acuator(Cap)

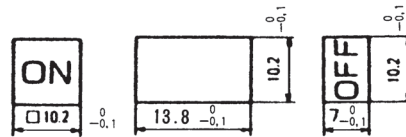
- To activate the switch, press the **cap** as far as it goes. If the **cap** is not fully actuated, switching and/or locking may not occur. The pressing force of the **cap** should be 9.8 N or less.
- Use a soft cloth with alcohol to clean the **cap** surface. Do not allow the liquid to enter the switch body. Do not use thinner, acid, organic solvent, etc., since the **caps** and **filter** are made of a polycarbonate resin.
- Engraving or printing is possible on the cap and the filter. The engraving depth should be 0.3 mm maximum and the enamel-based paint should be within the coating thickness of 0.1 mm maximum.
- A **film insert** should be the size of the dimensions as shown in the figure on the left (t=0.1mm).
The **film inserts** are provided by the customer.
- The **cap** and the **filter** are two distinct parts. **Removal of the cap should be done with the in the up position to avoid damages to the switch.**

2. Flux Cleaning

- (1) Solvent : Fluorine or Alcohol type.
- (2) The **LP** series are not washable. To wash the PC board, clean the soldering surface of the PC board with a brush so that the switch is not exposed to the cleaning solution.
- (3) After soldering, wait until the temperature of the terminals cool down to 90°C or below or until the parts are exposed to room temperature for more than 5 min. before washing.

4. LED's

- The polarity of the LED is marked on the bottom of the switch. Connection should be made as marked.
- Protective resistors are not built into illuminated switches. Protective resistors must be integrated by the customer.
- LED specifications are shown on Page 206.



Legend sheet dimensions

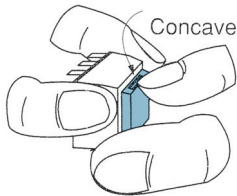
(Fig.1)

■ Precautions

5. Mounting Procedures

(1) Removal of the **cap**

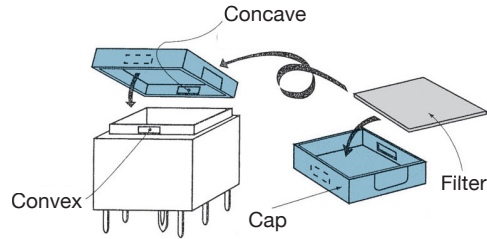
Use the notch on the side of the cap and pull up.
Remove the cap with the switch in the up position.



(Fig.2)

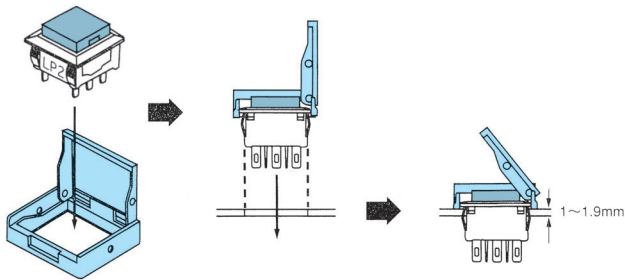
(2) Mounting the **cap**

- A) Insert the **filter** into the **cap**. The **filter** is reversible.
- B) Mate and snap in the two recesses on the inner side of the **cap** to the tabs on the side of the actuator of the switch.



(Fig.3)

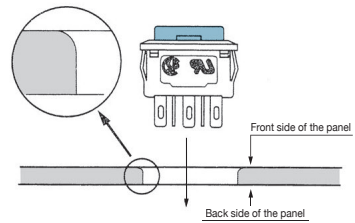
(3) Mounting the **Switch Guard**



(Fig.5)

(4) Panel cutout

When cutting out the panel, press through the panel from the front side. Also make sure to mount the switch from the front side of the panel as shown in the figure below. This will help the mount spring on both sides of the switch latch on to the edge of the hole. Note that the vertical play of the switch when mounted is 0.3 mm max..



(Fig.6)