

**MODEL:** CPT-357-105T | **DESCRIPTION:** PIEZO BUZZER TRANSDUCER

**FEATURES**

- 14 Vdc
- 105 dB
- feedback terminal


**SPECIFICATIONS**

| parameter                 | conditions/description                      | min    | typ    | max    | units |
|---------------------------|---|--------|--------|--------|-------|
| rated voltage             | driven by RE46C100                          |        | 14     |        | Vdc   |
| operating voltage         | driven by RE46C100                          | 6      |        | 16     | Vdc   |
| current consumption       | measured by KEYSIGHT 34461A                 |        | 50     | 60     | mA    |
| rated frequency           |   | 2,700  | 3,200  | 3,700  | Hz    |
| sound pressure level      | at 30 cm, rated voltage, driven by RE46C100 | 105    |        |        | dB    |
| electrostatic capacitance | at 1 Vrms, 1 kHz                            | 38,500 | 55,000 | 71,500 | pF    |
| tone                      | continuous                                  |        |        |        |       |
| dimensions                | ∅35.6 x 7.15                                |        |        |        | mm    |
| weight                    |   |        |        | 5.0    | g     |
| material                  | PBT+30% GF [UL94V-0]                        |        |        |        |       |
| terminal                  | pins  |        |        |        |       |
| operating temperature     |   | -20    |        | 70     | °C    |
| storage temperature       |   | -30    |        | 80     | °C    |
| humidity                  |   | 20     |        | 75     | RH%   |
| washable                  | no  |        |        |        |       |
| RoHS                      | yes   |        |        |        |       |

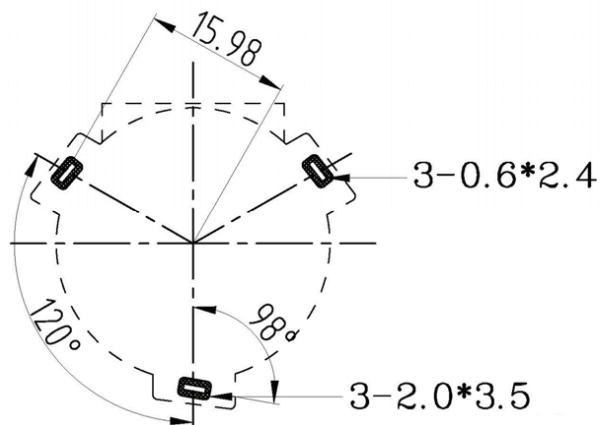
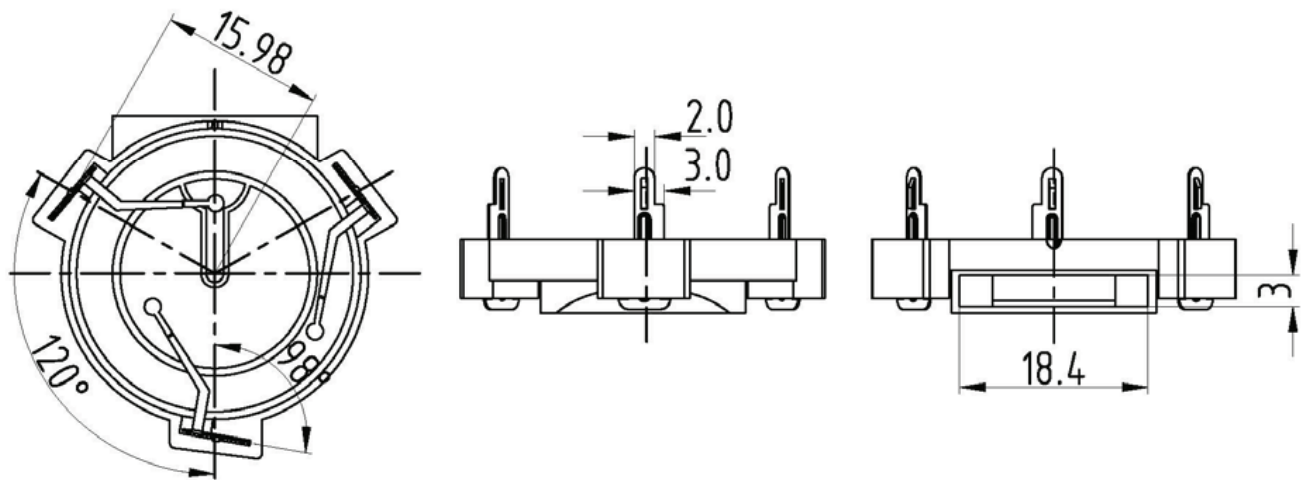
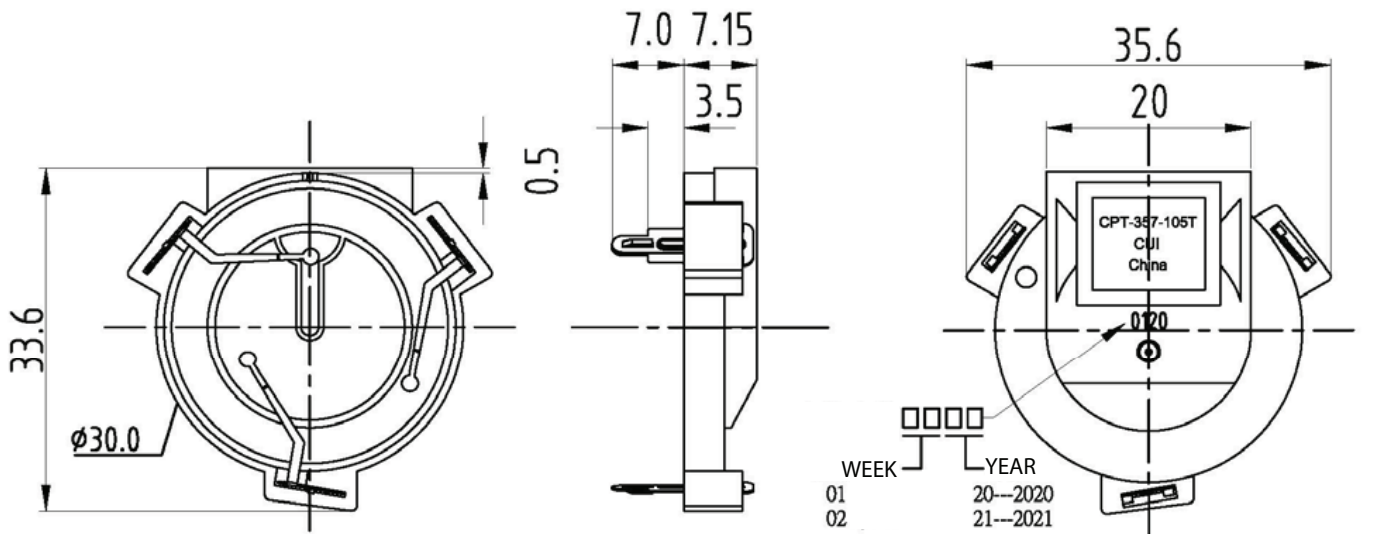
Notes: 1. All specifications measured at 5-35°C, humidity at 45-85%, under 86-106 kPa pressure, unless otherwise noted.

**SOLDERABILITY**

| parameter      | conditions/description | min | typ | max | units |
|----------------|------------------------|-----|-----|-----|-------|
| hand soldering | maximum 3 seconds      | 340 | 350 | 360 | °C    |

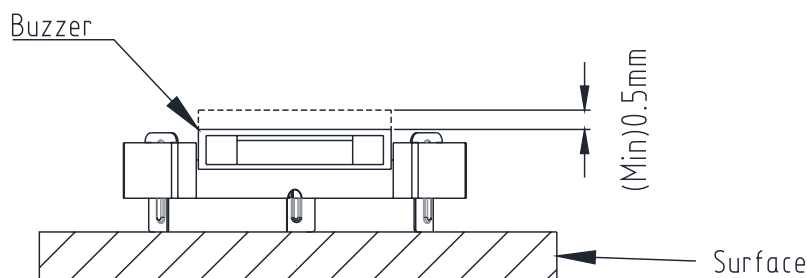
## MECHANICAL DRAWING

units: mm  
tolerance: ±0.5 mm

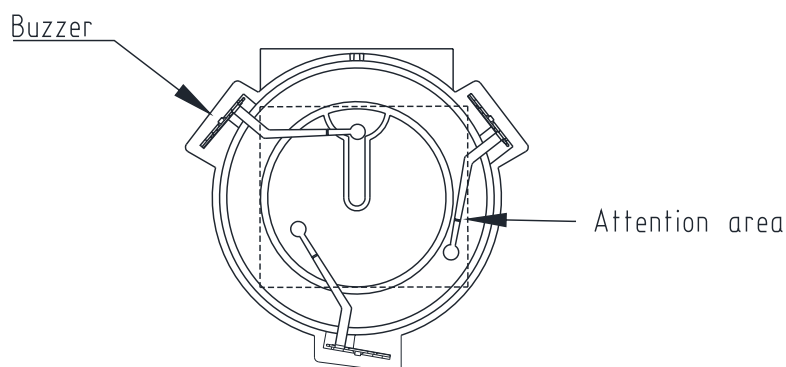


Recommended PCB Layout  
Bottom View

## INSTALLATION GUIDELINES

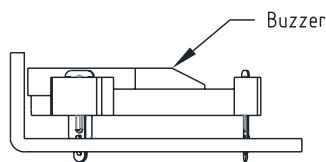
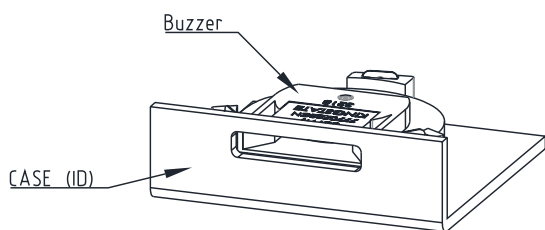


It's recommended reserve at least 0.5mm between the product and the surface. And the surface must not have any protrusions.

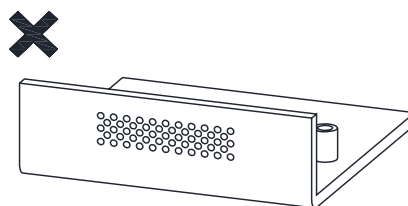
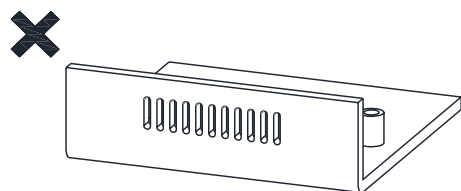


If buzzer's piezo side close to any potentially conductive surface, it is recommended that the product body surface (not piezo side) should add insulating tape to prevent short circuit conditions.

## THE NOTICE OF THE CASE ID DESIGN



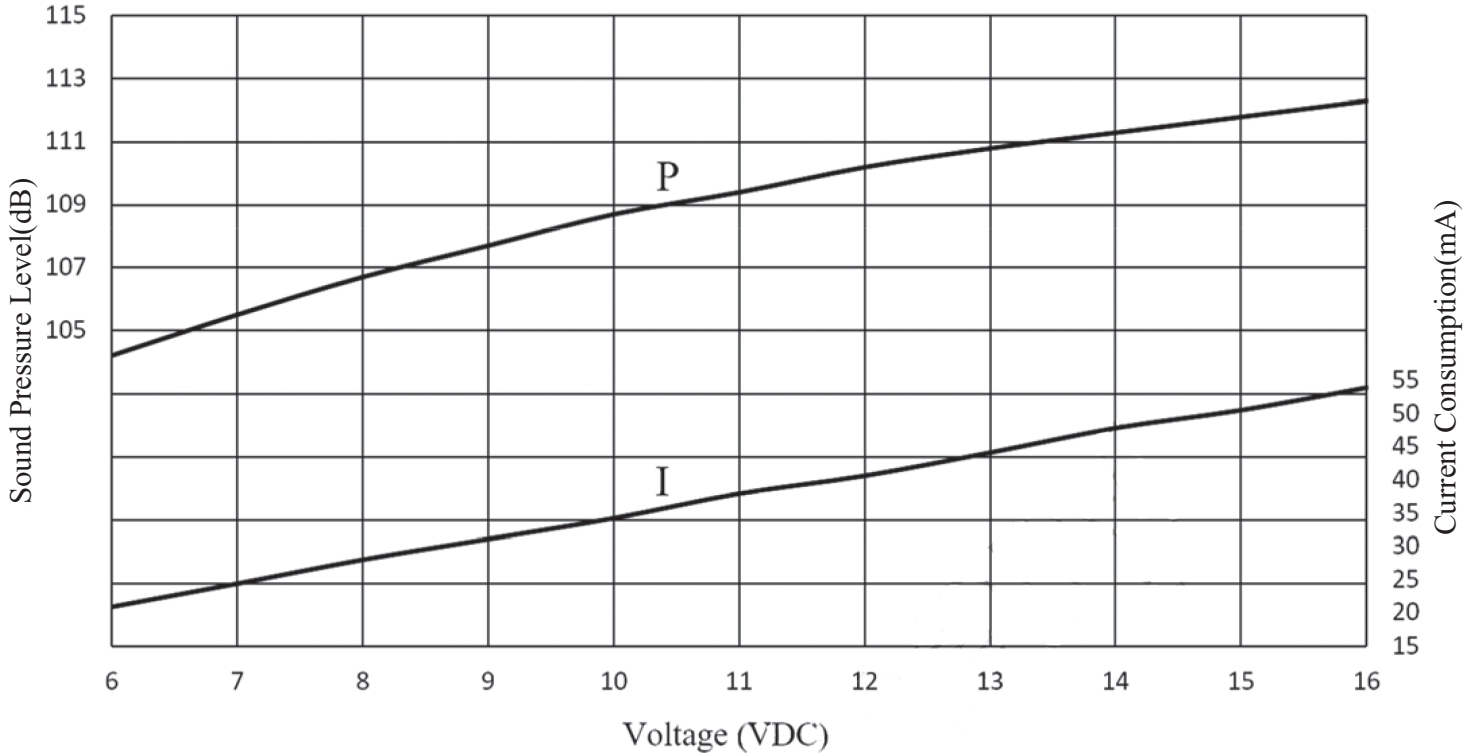
The buzzer should be as close as possible to the front case or the SPL will decrease. And we suggest the design of the sound hole should be simple.



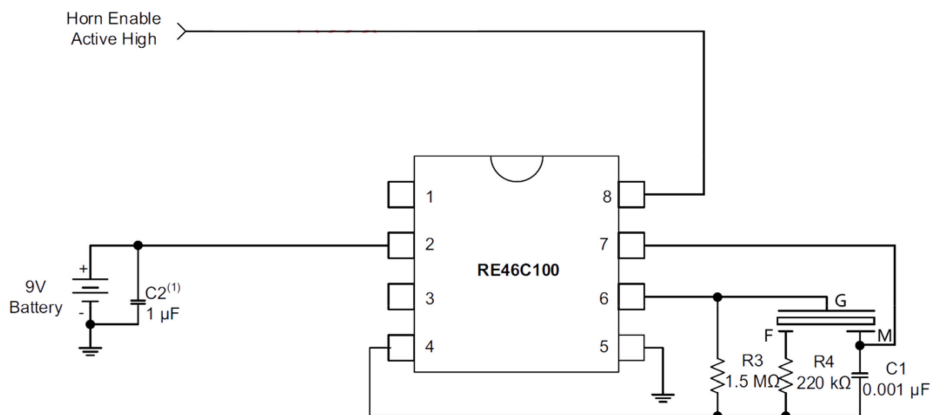
Both types of ID design may decrease the SPL 6 to 12dB, it's highly recommended to avoid these designs.

## PERFORMANCE CURVES

P: Voltage vs. Sound Pressure Level  
 I: Voltage vs. Current Consumption



## DRIVING CIRCUIT

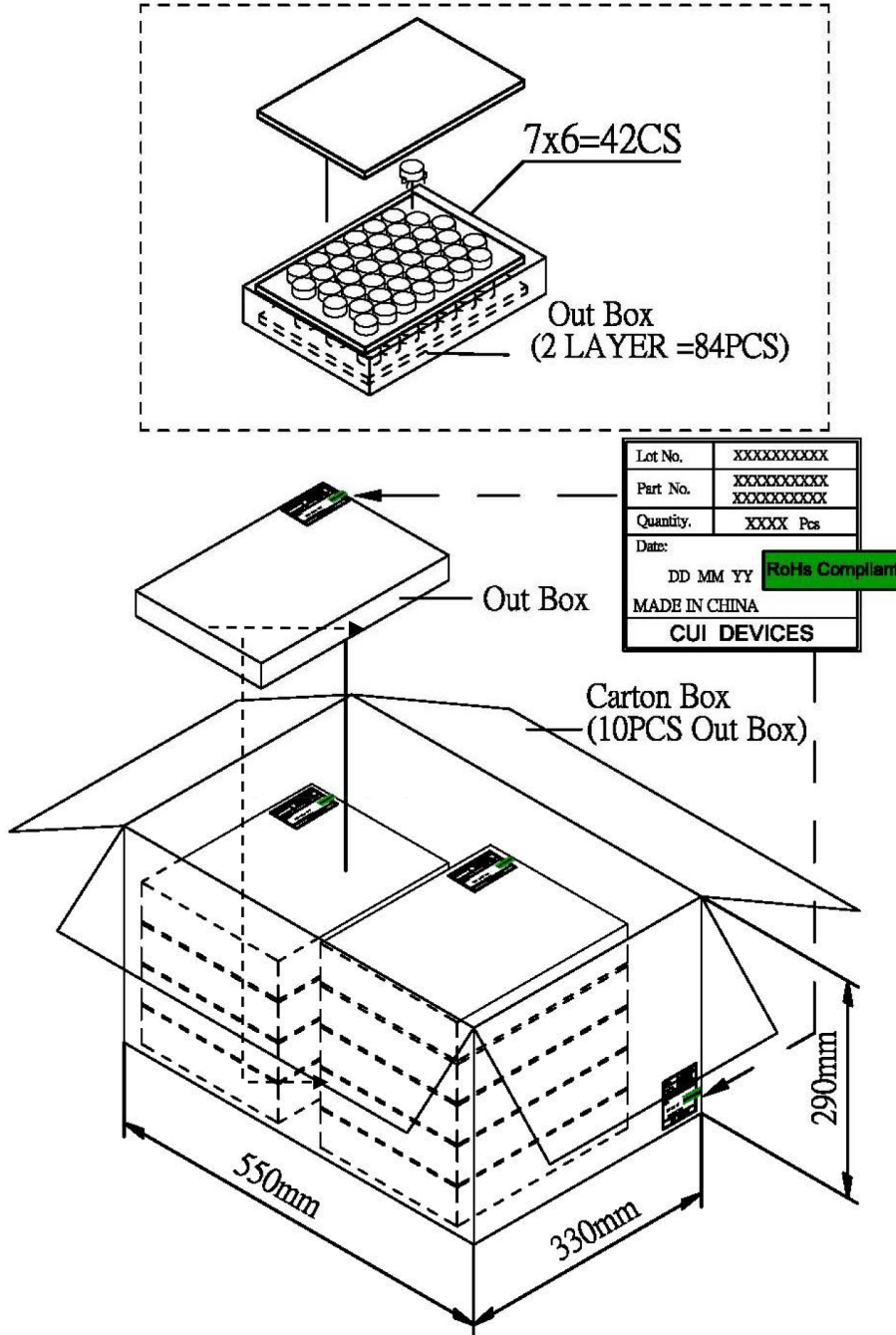


- Notes:
1. Place C2 close to the device power pins to minimize horn switching noise.
  2. The current consumption and the sound pressure level are measured by using the recommended driving circuit shown above.

## PACKAGING

units: mm

Carton Size: 550 x 330 x 290 mm  
 Carton QTY: 840 pcs per carton



## REVISION HISTORY

| rev. | description                  | date       |
|------|------------------------------|------------|
| 1.0  | initial release              | 09/16/2020 |
| 1.01 | logo, datasheet style update | 08/05/2022 |

The revision history provided is for informational purposes only and is believed to be accurate.



CUI Devices offers a one (1) year limited warranty. Complete warranty information is listed on our website.

CUI Devices reserves the right to make changes to the product at any time without notice. Information provided by CUI Devices is believed to be accurate and reliable. However, no responsibility is assumed by CUI Devices for its use, nor for any infringements of patents or other rights of third parties which may result from its use.

CUI Devices products are not authorized or warranted for use as critical components in equipment that requires an extremely high level of reliability. A critical component is any component of a life support device or system whose failure to perform can be reasonably expected to cause the failure of the life support device or system, or to affect its safety or effectiveness.

[cuidevices.com](http://cuidevices.com)