



ELECTRONICS, INC.
 44 FARRAND STREET
 BLOOMFIELD, NJ 07003
 (973) 748-5089
<http://www.nteinc.com>



NTE30113 LED – Dual Color 5mm Yellow/Yellow Green

Features:

- RoHS Compliant
- White Diffused

Absolute Maximum Ratings: ($T_A = +25^\circ\text{C}$ unless otherwise specified)

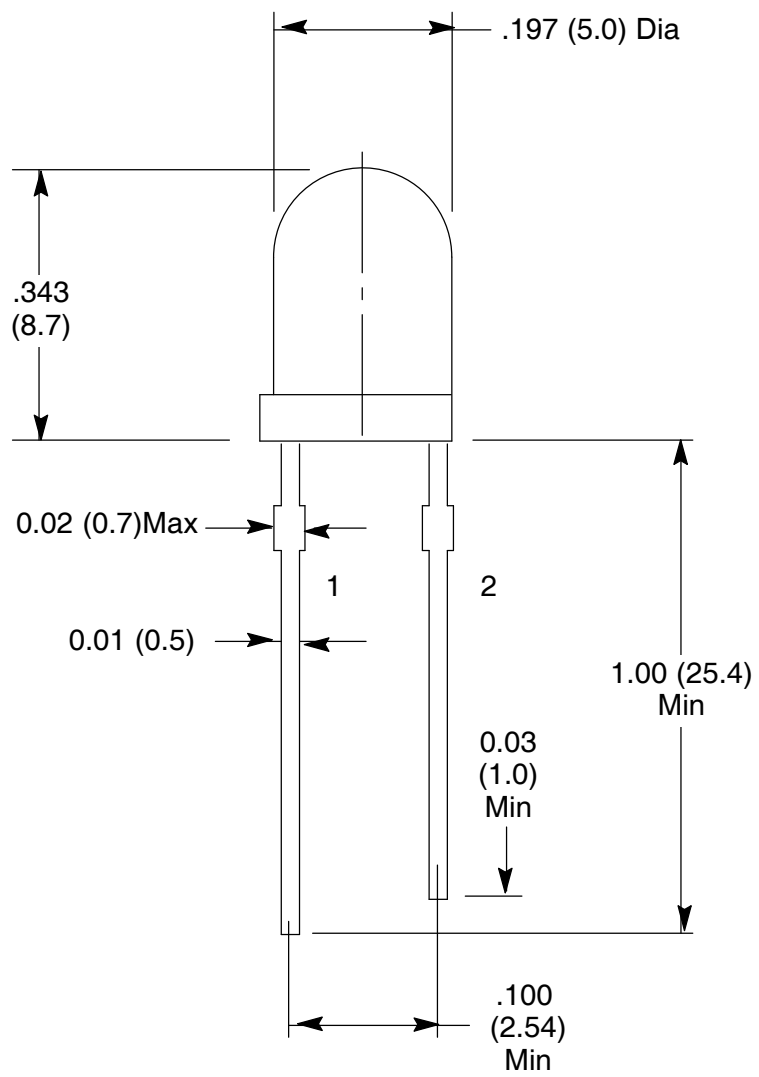
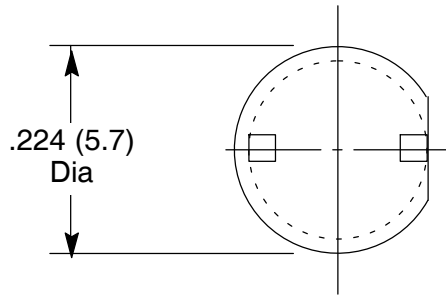
Power Dissipation, P_d	
Yellow	90mW
Yellow Green	84mW
Continuous Forward Current, I_F	25mW
Peak Forward Current (1/10 Duty Ratio, 0.1ms Pulse Width), I_{FM}	50mA
Reverse Voltage, V_R	3V
LED Junction Temperature, T_j	+100°C
Operating Temperature Range, T_{opr}	-25°C to +80°C
Storage Temperature Range, T_{stg}	-40°C to +100°C
DIP Soldering Temperature (During Soldering, 3mm from body, 5sec max), T_L	+260°C

Electro-Optical Characteristics: ($T_A = +25^\circ\text{C}$ unless otherwise specified)

Parameter	Symbol	Test Conditions	Min	Typ	Max	Unit
View Angle of Half Power	$2\theta_{1/2}$	$I_F = 20\text{mA}$	-	45	-	deg
Forward Voltage	VF	$I_F = 20\text{mA}$	-	2.10	2.80	V
Yellow				2.15	2.80	V
Luminous Intensity (Note 1)	IV	$I_F = 20\text{mA}$	-	35	-	mcd
Yellow				50	-	mcd
Peak Emission Wavelength	λ_p	$I_F = 20\text{mA}$	-	589	-	nm
Yellow				570	-	nm
Dominant Wave Length (Note 2)	$\lambda_d(\text{HUE})$	$I_F = 20\text{mA}$	-	585	-	nm
Yellow				567	-	nm

Note 1. Luminous intensity is measured with an Exeltron 2001, Tolerance = 30%.

Note 2. The dominant wavelength, λ_d , is derived from the CIE Chromaticity Diagram and represents the color of the device.



- 1. Yellow -
- 2. Green -