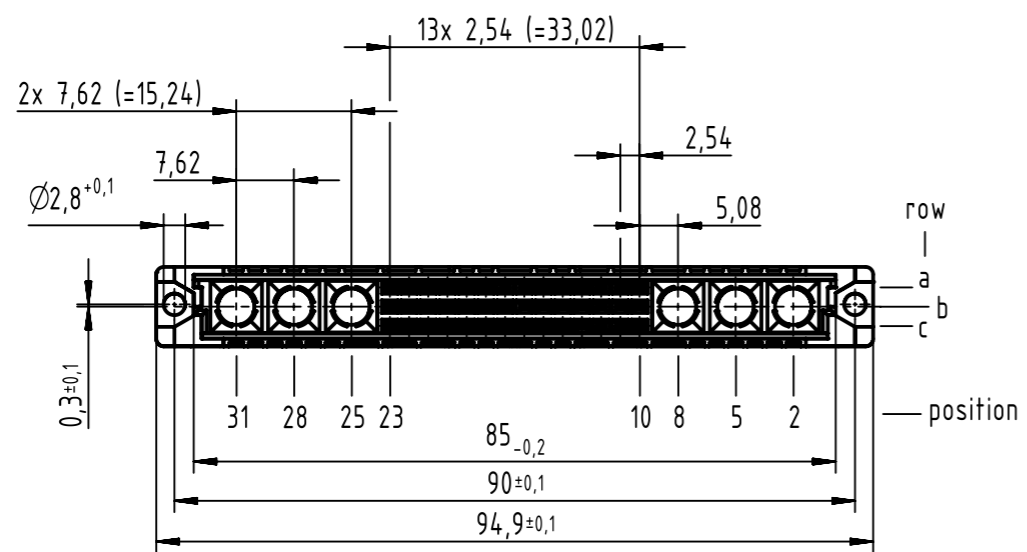
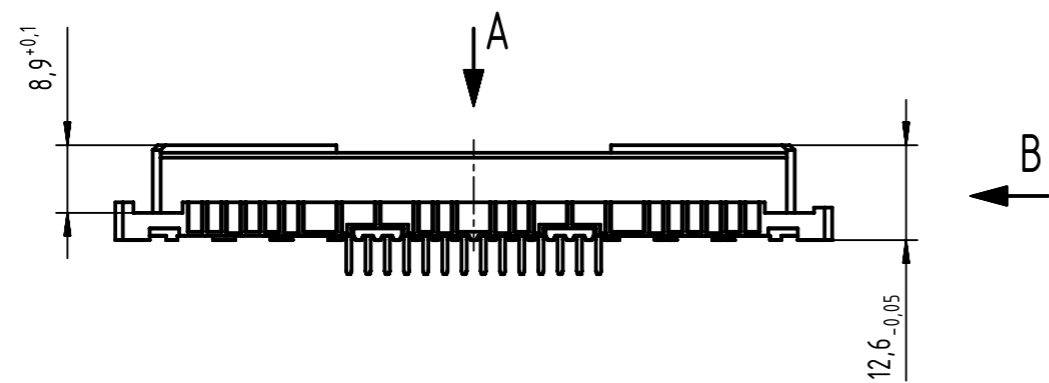
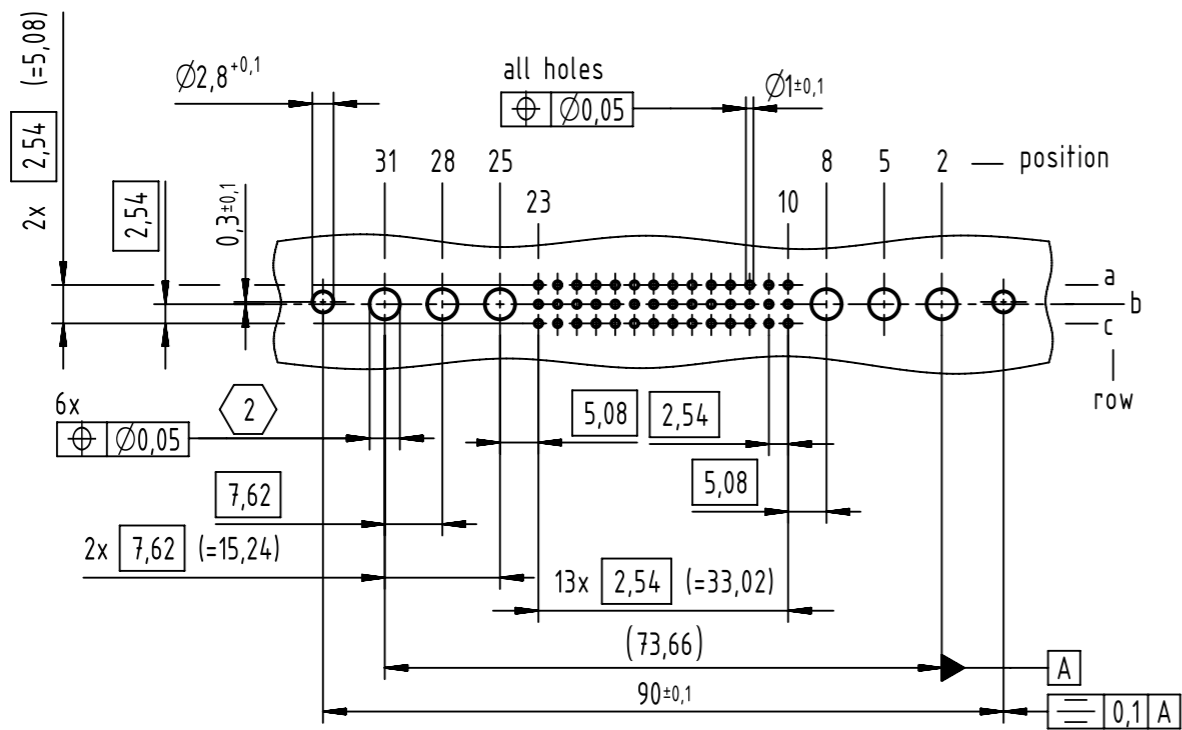
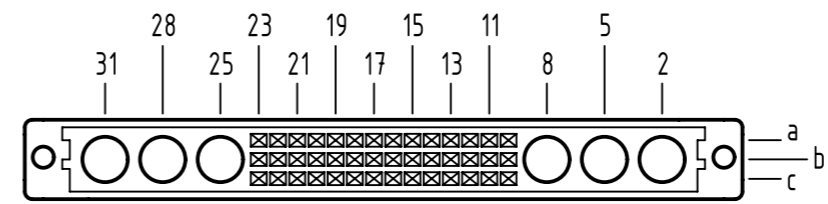


**A**  
board drillings

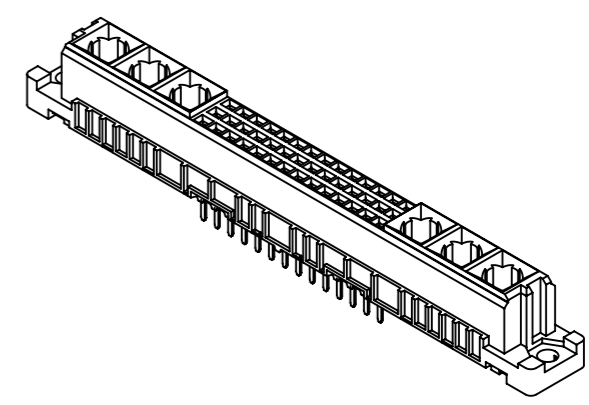
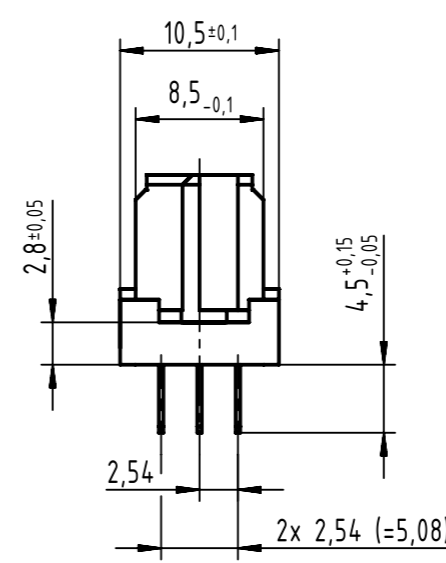


**A**  
contact arrangement



42 solder contacts  
☒ = solder contact  
□ = position without contact

**B (2:1)**



- ② hole diameter is to be co-ordinated with the respective contact
- ① further information see: DS 09032100001

09 03 242 6865	2
part no.	performance level ①

	All Dimensions in mm Original Size DIN A3		Scale 1:1	Free size tol. IEC 60603-2	Ref. Sub.	
	All rights reserved Department EC PD - DE		Created by ZWAHR	Inspected by ELLERMANN	Standardisation HOFFMANN	Date 2017-01-20
HARTING Electronics GmbH D-32339 Espelkamp			Title DIN Signal type M42-flat female solder 4.5 42-pole			Doc-Key / ECM-Nr. 100072218/UGD/049/D 500000114092
			Type TB	Number 0903242X865	Rev. D	Page 1/1