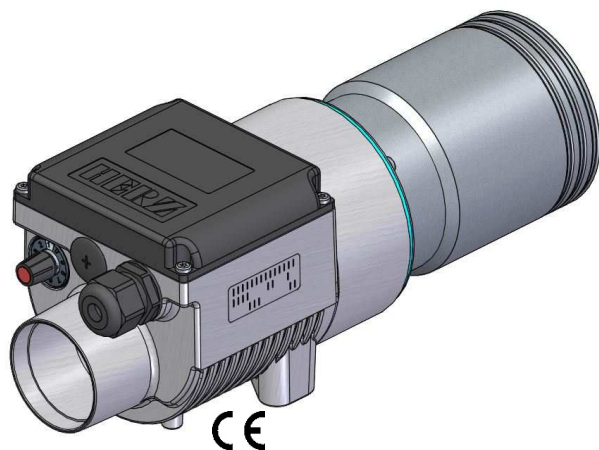


Air heater type XL92 to 25,0 KW



Function: Air heater with external air supply by means of fan or compressed air.
CAUTION !!! Device is not pressure-resistant !!!

Configuration: Default: Temperature control with potentiometer (1 – 9)
 - alternatively with external potentiometer (cable length 5 meter) or
 - external control by control unit or SPS (cable length per meter)
 The Device is equipped with a reliable heating element protection. The integrated device protection turns off the device when tripped, the fault must be with a "reset" reset again.

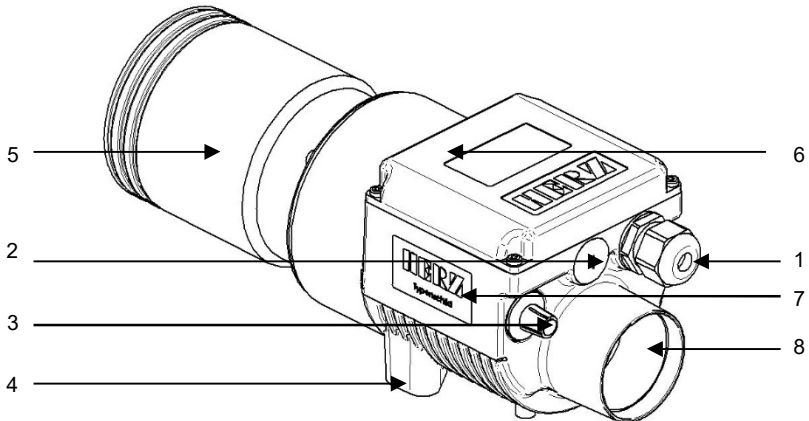
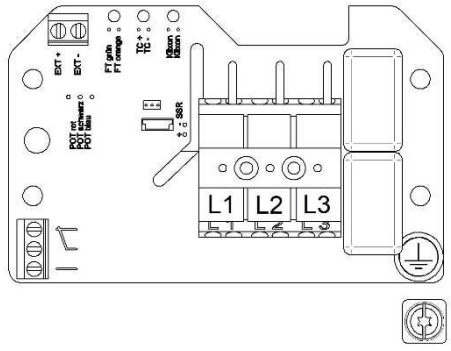
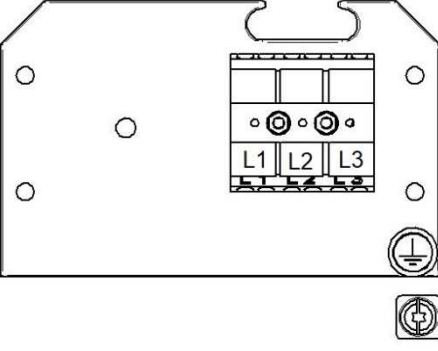
Features: Special designs with internal thermocouple (cable length 1 or 5 meter)
 - for devices with electronic equipment max. supply air temperature 50°C/122°F
 - the unit is available without electronics (without heating element and device protection)
 - for devices without electronic equipment max. supply air temperature 80°C/176°F (Special design up to max. 100°C/212°F)

Power: 5,7 KW – 25,0 KW
Voltage: 230 VAC (3Ph), 400-440-480 VAC

Technical data:

| Item number/Basic versions | Potentiometer | 5700098 | 5102747 | 5102761 | 5102762 | 5102760 | 5102765 | on request |
|----------------------------|--------------------|-----------------|---------|------------|-------------|-------------|---------|------------|
| | external control | 5102750 | 5102748 | 5112328 | 5102179 | 5110521 | 5113726 | on request |
| | without electronic | 5102755 | 5102753 | 5102766 | 5102180 | 5102768 | 5102770 | 5102770 |
| Voltage | VAC | 230 (3Ph) | | | 400 - 480 | | 400 | 480 |
| Frequency | Hz | 50 / 60 | | | | | | |
| Power | KW | 5,7 | 10,2 | 5,9 - 8,5 | 7,6 - 10,9 | 11,8 - 17,1 | 17,0 | 25,0 |
| Current | A | 14,3 | 25,6 | 8,5 - 10,2 | 11,0 - 13,1 | 17,0 - 20,6 | 25,5 | 30,1 |
| Max. temperature | °C/°F | 650/1202 | | | | | | |
| Min. air volume | l/min | 550 | 930 | 560 | 680 | 950 | 1480 | |
| Weight | kg | 3,3 | | | | | | |
| Air intake | Ø mm | 60 | | | | | | |
| Air outlet | Ø mm | 84 | | | | | | |
| Heater tube | Ø mm | 92 / 102 | | | | | | |
| Dimensions | mm (L x W x H) | 335 x 123 x 124 | | | | | | |
| Conformity mark | | | | | | | | |
| Protection class I | | | | | | | | |

Air heater type XL92 to 25,0 KW

| Product description: | Connection scheme: | |
|---|---|---|
|  | <p style="text-align: center;">With electronics</p>  | <p style="text-align: center;">Without electronics</p>  |
| <ol style="list-style-type: none"> 1. Cable fitting mains supply 2. Cable fitting control cable for external control 3. Potentiometer 0-9 (no Potentiometer for devices without electronic and external control) 4. Mounting on bottom of housing M 8 (screw depth 16 mm) 5. Heating element pipe (type L= 62mm; type XL = 92 mm) 6. Cover 7. Data plate 8. Air intake Ø 38mm | <ol style="list-style-type: none"> 1. L1, N or L1, L2 or L1, L2, L3 Main connection according to data plate 2. earth 3. 1 – 3 potential-free changeover contact (230VAC, 1A) <ul style="list-style-type: none"> - 2 → 1 = close - 2 → 3 = open 4. +/- external control signal from for example SPS or Controller (PWM 12 – 24VDC max. 1 Hz) <p>NOTE: For devices without electronics, the terminals + / - and 1/2/3 not available!</p> | |

NOTE:

After activation of the heating element and / or equipment protection is indicated on the devices with electronics has a relay contact this disorder. The built-in relay, will give the following model with the terminals 1-3 (3), a potential-free changeover contact. This signal can only be a "reset" back off, that is, the device must be energized.

Measures in case the heating element and protection:

Unit from the mains, after 3 seconds automatically reset the electronics. Check the air supply (air flow, pressure, fan filter). Restore power supply.

Air heater type XL92 to 25,0 KW

Available Versions:







| Item no. | Description |
|----------------|---|
| 5700098 | Air heater XL92 230 VAC 3Ph 5,7 KW with potentiometer |
| 5102750 | Air heater XL92 230 VAC 3Ph 5,7 KW externally controllable (PWM 12-24 VDC, 1 Hz) |
| 5102755 | Air heater XL92 230 VAC 3Ph 5,7 KW without electronic |
| 5102747 | Air heater XL92 230 VAC 3Ph 10,2 KW with potentiometer |
| 5102748 | Air heater XL92 230 VAC 3Ph 10,2 KW externally controllable (PWM 12-24 VDC, 1 Hz) |
| 5102753 | Air heater XL92 230 VAC 3Ph 10,2 KW without electronic |
| 5102761 | Air heater XL92 400-440-480 VAC 5,9-7,1-8,5 KW with potentiometer |
| 5112328 | Air heater XL92 400-440-480 VAC 5,9-7,1-8,5 KW externally controllable (PWM 12-24 VDC, 1 Hz) |
| 5102766 | Air heater XL92 400-440-480 VAC 5,9-7,1-8,5 KW without electronic |
| 5102762 | Air heater XL92 400-440-480 VAC 7,6-9,1-10,9 KW with potentiometer |
| 5102179 | Air heater XL92 400-440-480 VAC 7,6-9,1-10,9 KW externally controllable (PWM 12-24 VDC, 1 Hz) |
| 5102180 | Air heater XL92 400-440-480 VAC 7,6-9,1-10,9 KW without electronic |
| 5102760 | Air heater XL92 400-440-480 VAC 11,8-14,3-17,1 KW with potentiometer |
| 5110521 | Air heater XL92 400-440-480 VAC 11,8-14,3-17,1 KW externally controllable (PWM 12-24 VDC, 1 Hz) |
| 5102768 | Air heater XL92 400-440-480 VAC 11,8-14,3-17,1 KW without electronic |
| 5102765 | Air heater XL92 400 VAC 17,0 KW with potentiometer |
| 5113726 | Air heater XL92 400 VAC 17,0 KW externally controllable (PWM 12-24 VDC, 1 Hz) |
| 5102770 | Air heater XL92 400 VAC 17,0 KW without electronic |

Air heater type XL92 to 25,0 KW

Available modifications:

| Item number | Type | Modification | |
|-------------|------|---|---|
| 5005014 | S02 | External potentiometer for heating including 5m control line; 3 pole; Potentiometer is soldered to the end of the cable; including potentiometer knob red; | The basic device for this modification is always standard with a potentiometer |
| 5005021.7 | S05 | Internal PID control via internal potentiometer without digital display; | |
| 5005010.7 | S06 | Internal thermocouple including 2m compensation cable with open ends green (+) white (-); | |
| 5005017 | S17 | Device with 2m silicone connection cable. Open ended cables; the ends are marked; Inlet temperature max. 100°C/212°F; | |
| 5005033 | S20 | The device has no electronics but has a built-in solid state relay; there is a 2-pole connection terminal for connecting the control line; exclusive control cable; | |
| 5005036.6 | S23 | Device with tube adapter without protective tube; Standard is with protective tube; | |

Accessories:

| Item no. | Description |
|----------|--|
| 5107275 |  Flange connector, push fit on the protective tube |
| 5107244 |  Round nozzle \varnothing 50 mm |
| 5107269 |  Angled nozzle, length 175 x 175mm |
| 5107273 |  Extension tube 60 x 500mm |
| 5107274 |  Wide slot nozzle 130 x 17mm |
| 5107272 | Wide slot nozzle 300 x 12mm |
| 5106018 | Wide slot nozzle 400 x 10mm |
| 5107267 | Wide slot nozzle 500 x 15mm |
| 5106023 | Wide slot nozzle 600 x 4mm |
| 5107268 |  Tubular nozzle 1288 x 1000 x 1,5mm (L1 x L2 x W) |

Air heater type XL92 to 25,0 KW

Combination possibilities for devices WITH electronic *:

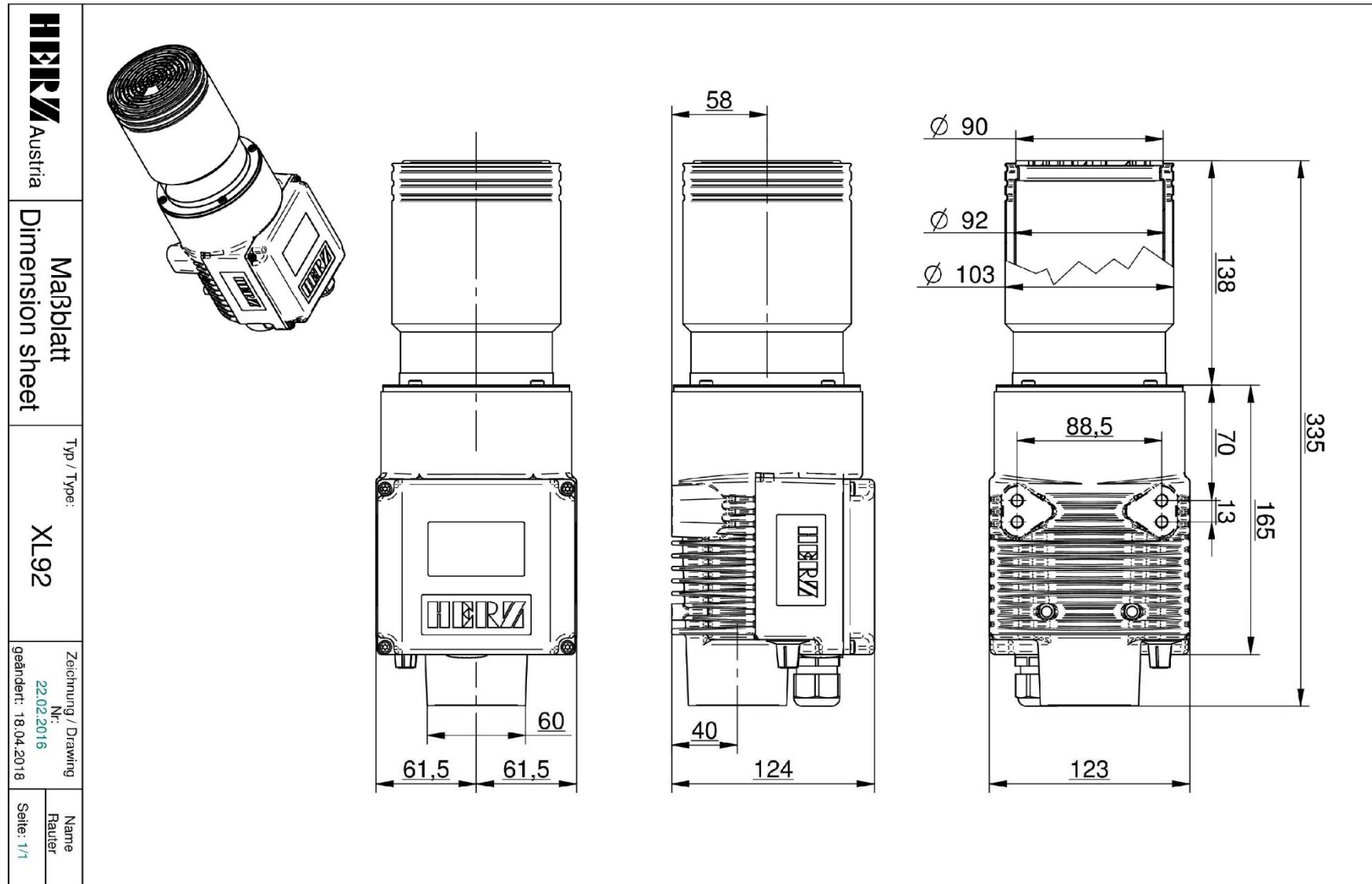
Measuring point: 3.0 mm after the air outlet pipe adapter – without nozzle, measured at the hottest point
Hose length: 1,0 m
Air supply: Blower 400 Volt, 50 Hz (HD = High pressure blower, MD = Medium pressure blower)
Air flow: NI / min = standard liters per minute according to DIN 1343

CAUTION: Air flow and temperature are indicative which can change due to external influences and changes air hose diameter and length!

| Blower type | Quantity, air heater type; voltage; power | Air flow at 50 Hz with heating [NI / min.] | Maximum temperature at 50 Hz [°C/°F] |
|-------------|--|--|---|
| HD140 | 2 x XL92; 400VAC; 5,9KW | 2 x 780 | 480/896 |
| MD10 | 2 x XL92; 400VAC; 5,9KW | 2 x 1740 | 250/482 |
| | 4 x XL92; 400VAC; 5,9KW | 4 x 1160 | 360/680 |
| MD14 | 2 x XL92; 400VAC; 5,9KW | 2 x 2130 | 210/410 |
| | 4 x XL92; 400VAC; 5,9KW | 4 x 1910 | 230/446 |
| HD140 | 2 x XL92; 400VAC; 7,6KW | 2 x 770 | 580/1076 |
| HD240 | 4 x XL92; 400VAC; 7,6KW | 4 x 1070 | 510/950 |
| MD10 | 2 x XL92; 400VAC; 7,6KW | 2 x 770 | 320/608 |
| | 4 x XL92; 400VAC; 7,6KW | 4 x 1110 | 440/824 |
| MD14 | 4 x XL92; 400VAC; 7,6KW | 4 x 1790 | 310/590 |
| HD140 | 1 x XL92; 400VAC; 11,8KW | 1470 | 460/860 |
| HD240 | 4 x XL92; 400VAC; 11,8KW | 4 x 1070 | 590/1094 |
| MD10 | 1 x XL92; 400VAC; 11,8KW | 1770 | 400/752 |
| | 2 x XL92; 400VAC; 11,8KW | 2 x 1460 | 460/860 |
| | 4 x XL92; 400VAC; 11,8KW | 4 x 1070 | 570/1058 |
| MD14 | 1 x XL92; 400VAC; 11,8KW | 2090 | 380/716 |
| | 2 x XL92; 400VAC; 11,8KW | 2 x 1880 | 400/752 |
| | 4 x XL92; 400VAC; 11,8KW | 4 x 1720 | 430/806 |
| HD240 | 2 x XL92; 400VAC; 17,0KW | 2 x 2040 | 490/914 |
| MD10 | 1 x XL92; 400VAC; 17,0KW | 970 | 550/1022 |
| MD14 | 1 x XL92; 400VAC; 17,0KW | 1850 | 530/986 |
| | 2 x XL92; 400VAC; 17,0KW | 2 x 1800 | 540/1004 |

*Data without guarantee

Air heater type XL92 to 25,0 KW



Änderungen vorbehalten / Changes reserved

Air heater type XL92 to 25,0 KW

HERZ GmbH

Kunststoff- & Wärmetechnologie
Biberweg 1
DE – 56566 Neuwied
Tel.: +49 (0)2622-8855-0
Fax: +49 (0)2622-8855-135
Fax: +49 (0)2622-8855-136
www.herz-gmbh.com
info@herz-gmbh.com

HERZ Austria GmbH

Kunststoff- & Wärmetechnologie
Gleinser Weg 27
AT – 6141 Schönberg / Tirol
Tel.: +43 (0)5225-63113
Fax: +43 (0)5225-6311385
www.herz-austria.at
herz.schoenberg@herz-gmbh.com

HERZ Hungária Kft.

Műanyag- és hőlégtéchnika
Pesti út 284
HU – 2225 Üllő
Tel.: +36 (06)29-522400
Fax: +36 (06)29-522410
www.herz-hungaria.hu
herz@herz-hungaria.hu

HERZ Bulgaria OOD

Boul. Assen Yordanov 10
BG – 1592 Sofia
Tel.: +359 (0)2-9790351
www.herz-bulgaria.com
office@herz-bulgaria.com

HERZ GmbH

Kunststoff- & Wärmetechnologie
Am Arenberg 26A
DE – 86456 Gablingen
Tel.: +49 (0)8230-85085
Fax: +49 (0)8230-85087
www.herz-gmbh.com
robert.einberger@herz-gmbh.com

HERZ Austria GmbH

Kunststoff- & Wärmetechnologie
Johann-Galler-Str. 20 IZ – NÖ – Nord
AT – 2120 Wolkersdorf i. Weinviertel
Tel.: +43 (0)2245-82494-0
Fax: +43 (0)2245-82494-9
www.herz-austria.at
herz.wolkersdorf@herz-gmbh.com

HERZ Polska Sp.z o.o.

Technologie obróbki tworzyw sztucznych
Ul. Kostrzyńska 30
PL – 02-979 Warszawa
Tel.: +48 (0)22-8428583
Fax: +48 (0)22-8429700
www.herz-polska.pl
herz@herz-polska.pl