

MATERIALS AND FINISHES :

BODY, COUPLING NUT, CRIMP TUBE BRASS
PLATED NICKEL

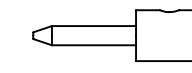
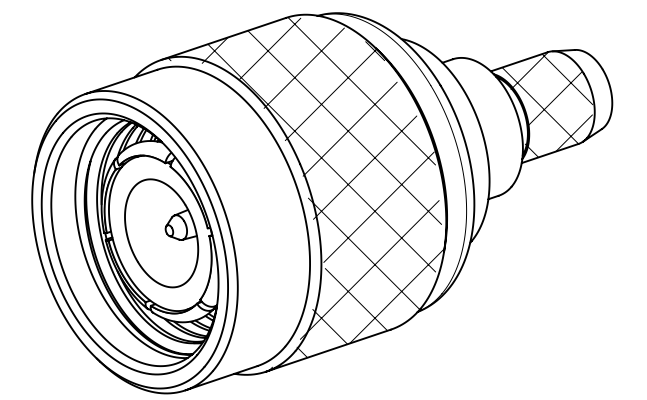
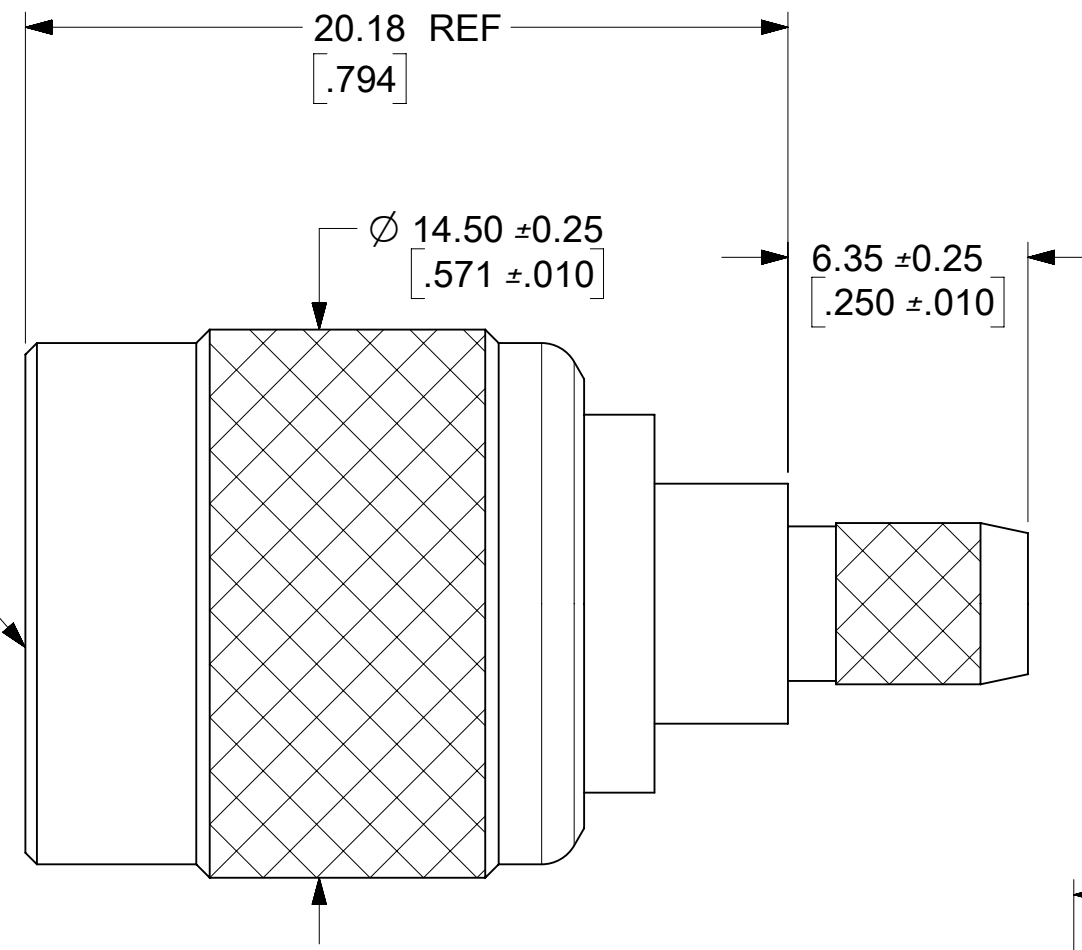
CONTACT BERYLLIUM COPPER
PLATED GOLD (SEE TABLE)

CABLE CONTACT BRASS
PLATED GOLD

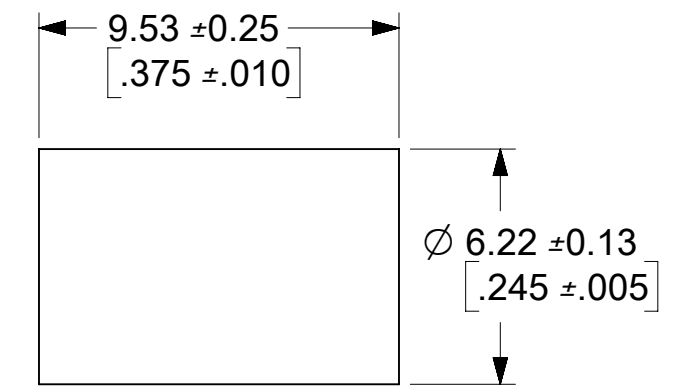
INSULATOR TEFLON

SHRINK TUBE ATUM OR EQUIVALENT

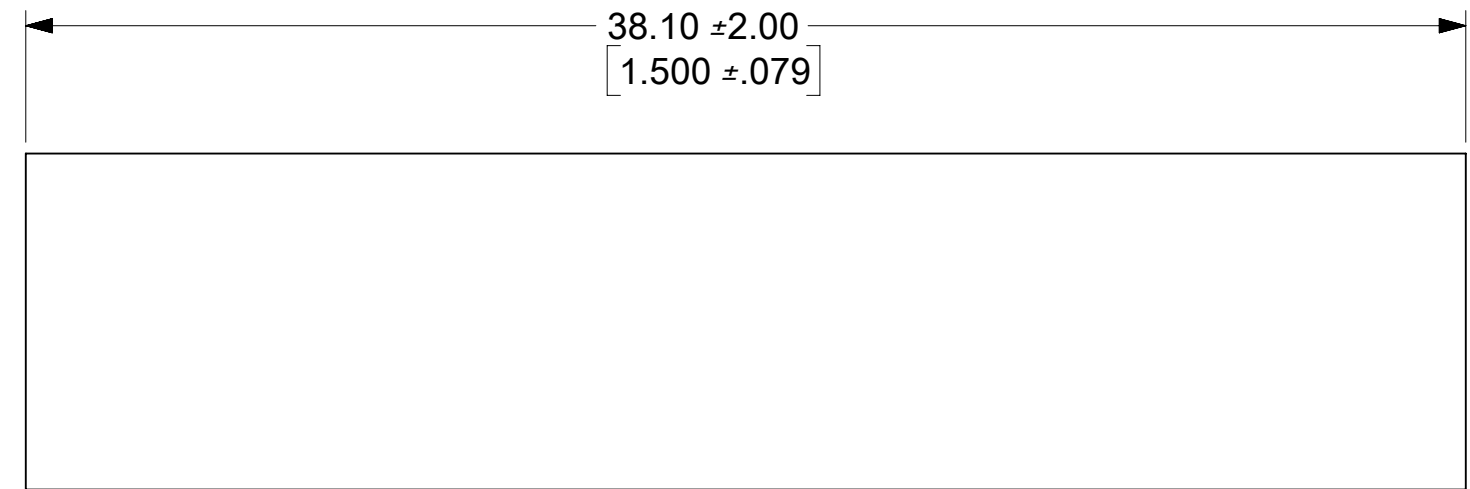
TNC PLUG IP68
INTERFACE



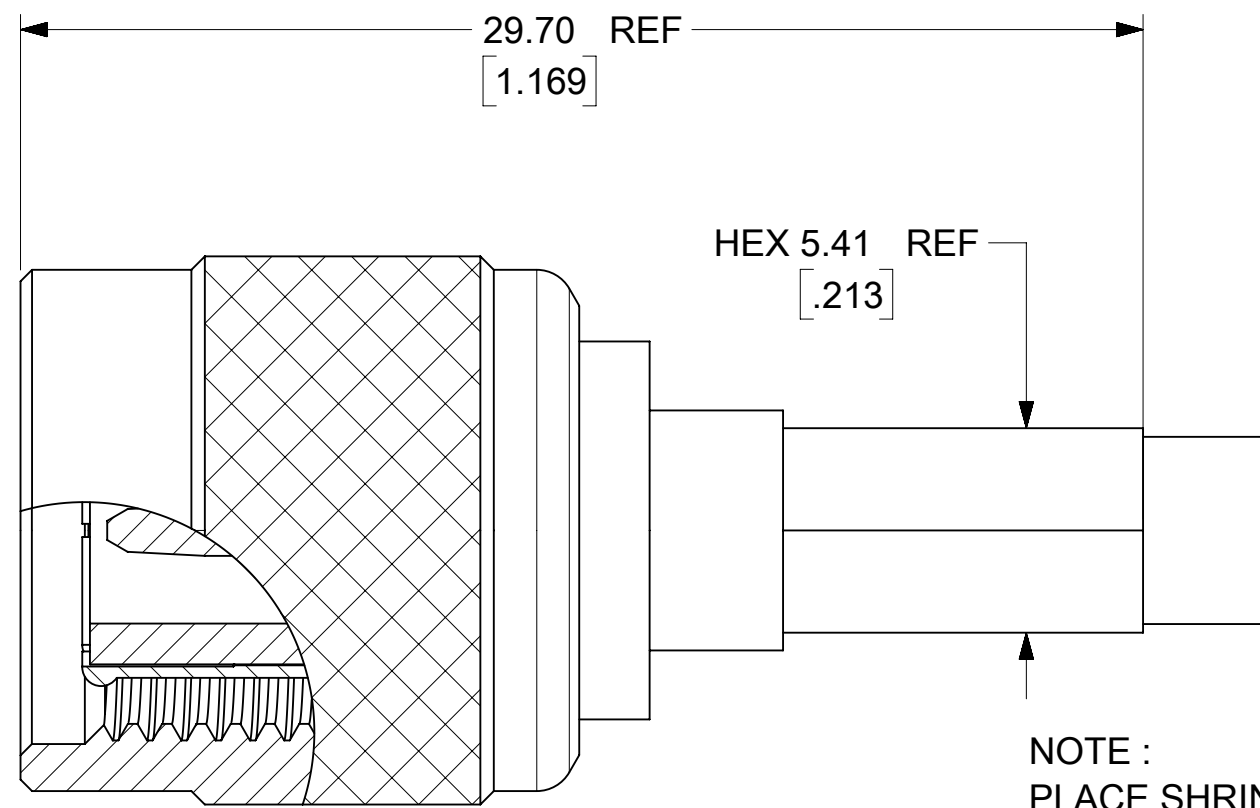
CONTACT



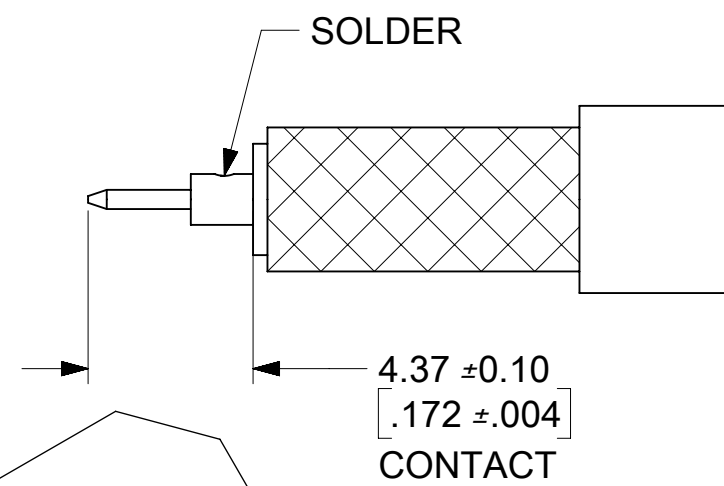
CRIMP TUBE



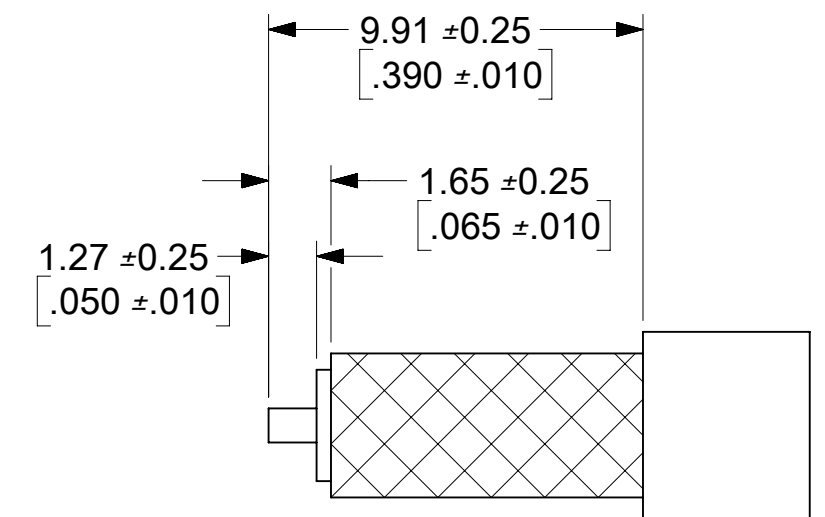
SHRINK TUBE



NOTE :
PLACE SHRINK TUBE
ONTO CABLE PRIOR
TO INSERTION IN BODY



CONTACT



RECOMMENDED CABLE STRIP
DIMENSIONS

PENDING
APPROVAL

MIL - STD - 348A, FIG. 313.1	INTERFACE
SPECIFICATION	DESCRIPTION

73216-1982	10 u"	ONE PER BAG PER 89542-0080
73216-1981	10 u"	BY TRAY PER 89542-0062
73216-1980	30 u"	BY TRAY PER 89542-0062
PART NO.	CONTACT PLATING	PACKAGING

A6	2020/01/31	ADD DIM TOLERANCE PER EWR13588-A
A5	2018/10/25	ADD PKG PN PER GLSS
REV.	DATE	DESCRIPTION

SYMBOLS		THIS DRAWING CONTAINS INFORMATION THAT IS PROPRIETARY TO MOLEX ELECTRONIC TECHNOLOGIES, LLC AND SHOULD NOT BE USED WITHOUT WRITTEN PERMISSION	
▽ = 0	HYBRID	SCALE	CURRENT REV DESC:
▽ = 0	4 PLACES ±	NTS	EC NO: 631758
▽ = 0	3 PLACES ±	GENERAL TOLERANCES (UNLESS SPECIFIED)	DRWN: CWEI02
▽ = 0	2 PLACES ±	ANGULAR TOL ± 2.0°	2020/01/31
▽ = 0	1 PLACE ±		CHK'D:
▽ = 0	0 PLACES ±		APPR:
□ = 0			INITIAL REVISION:
■ = 0			DRWN: AROBERTSON
▽ = 0			APPR: JWIENER
	DRAFT WHERE APPLICABLE MUST REMAIN WITHIN DIMENSIONS	THIRD ANGLE PROJECTION	DRAWING
			SERIES
			MATERIAL NUMBER
			CUSTOMER
			SHEET NUMBER

molex

TNC PLUG STRAIGHT IP68
FOR RG58 50 OHMS TNC-PC, EWR-3829

PRODUCT CUSTOMER DRAWING

DOCUMENT NUMBER	DOC TYPE	DOC PART	REVISION
SD-73216-198	PSD	001	A6

SEE TABLE	GENERAL MARKET	1 OF 1
-----------	----------------	--------

DOCUMENT STATUS	RQ	RELEASE DATE
-----------------	----	--------------