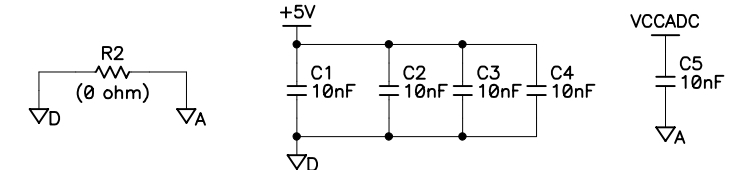


REVISION HISTORY			REVISION APPROVAL			
REV	ECO	DESCRIPTION	PROJECT ENGINEER	APPROVAL DATE	DOCUMENT CONTROL	APPROVAL DATE
A	----	PROTOTYPE RELEASE, TRACKS A/W @ REV-A	----	----	----	----
B	E11217	INITIAL RELEASE TRACK A/W @ REV-B	DM	20NOV00	KIS	11/20/01
C	E11453	CONNECTED /IOWR TO U4, UPDATED FOR SR9320	DM	20MAR01	KIS	3/20/01
D	E11564	CHANGED PE7 TO OUTPUT INHIBIT	DM	28JUN01	KIS	7/17/01

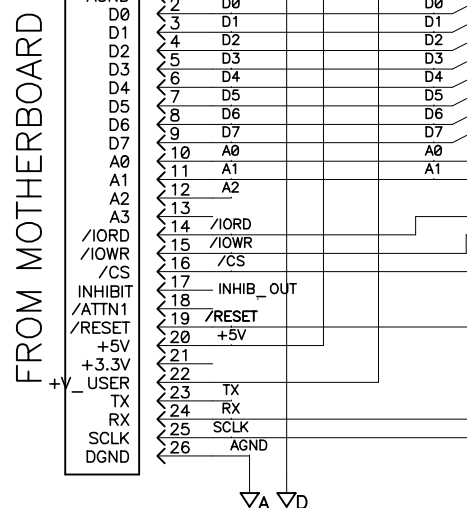
TABLE A

REF DES	DEVICE	DEVICE VOLTAGE INFORMATION								DEVICE: FILTER CAP REF DES(s)	
		AGND	DGND	+5V	VCC1	VCC2	VCC3	ADREF	VCCADC		NC
U1	24C04		4	8							C1
U2	74HC165		10	20						1,6,11,16	C2
U3	74HC125		7	14							C3
U4	PALCE16V8		10	20							C4
U5	TLC2543	10						20			C5, C44
U6	LP2951A										
U20	LMC660	11		4							C12
U21	LMC660	11			4						C13
U22	LMC660	11				4					C14
U23	LM4040										C41
U24	LM7301	2							5		C11




STUFFING TABLE

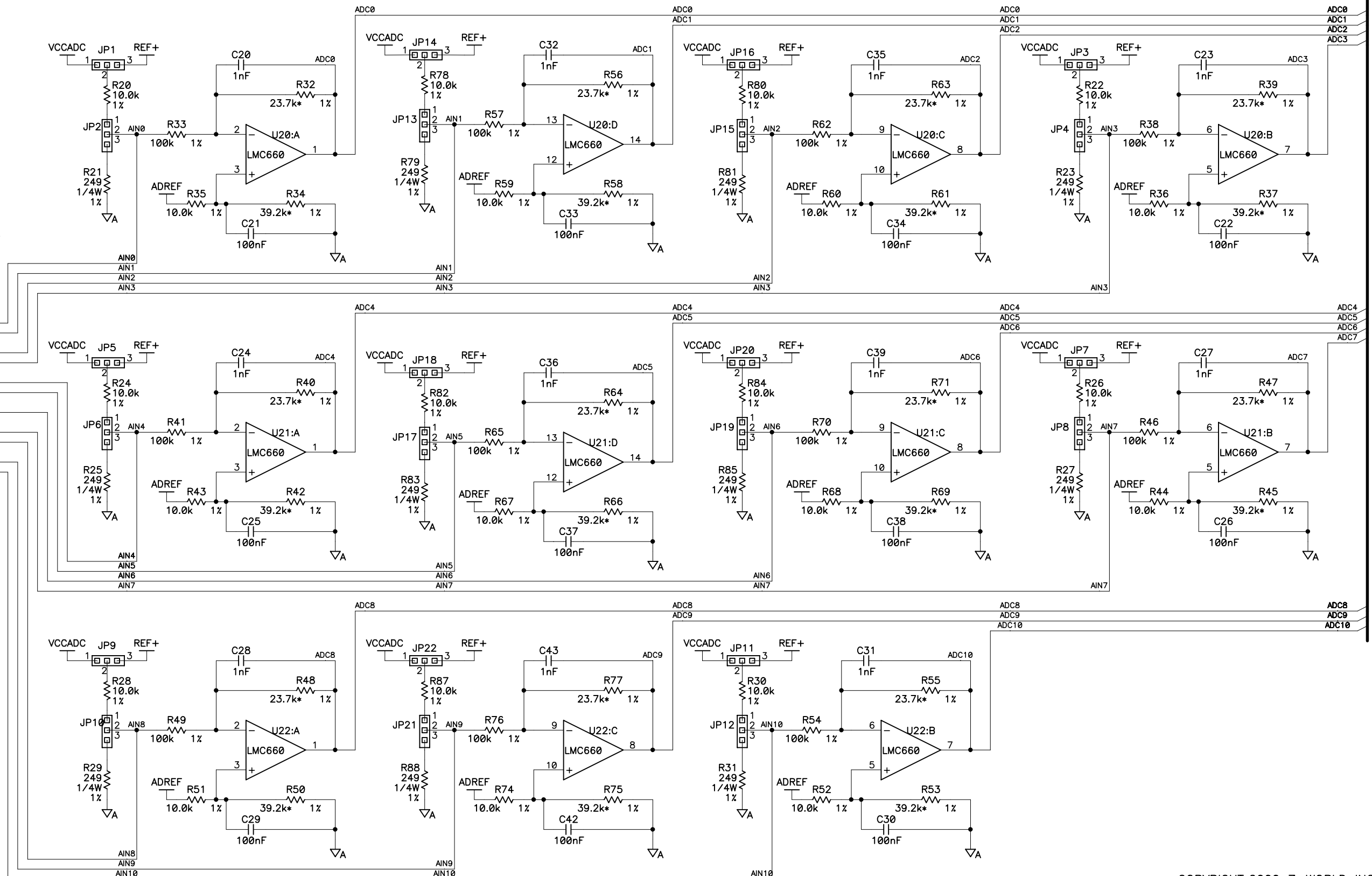
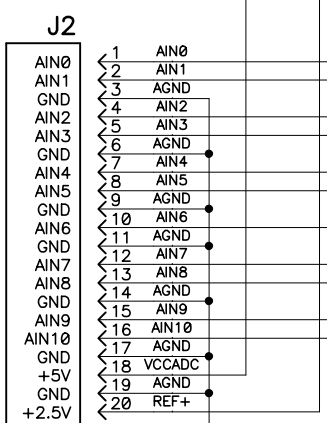
CIRCUIT	PART	MODEL		
		SR9300	SR9310	SR9320
GAIN RESISTOR	R32,39,40,47,48,55, R56,63,64,71,77	23.7k 1%	12.1k 1%	60.4k 1%
BIAS RESISTOR	R34,37,42,45,50,53 R58,61,66,69,75	39.2k 1%	8.06k 1%	32.4k 1%
EXCITATION SELECT OR 4-20mA SELECT	JP2,JP4,JP6,JP8 JP10,JP12,JP13 JP15,JP17,JP19 JP21	NOT INSTALLED	NOT INSTALLED	INSTALLED 2-3
EXCITATION VOLTAGE SELECT	JP1,JP3,JP5,JP7 JP9,JP11,JP14, JP16,JP18,JP20 JP22	NOT INSTALLED	NOT INSTALLED	NOT INSTALLED



- NOTES: UNLESS OTHERWISE SPECIFIED;
- ALL RESISTOR VALUES ARE IN OHMS, 1/10W, 5%
 - ALL CAPACITORS ARE 50VDC OR HIGHER.
 - THE ORIGINATION SOURCE OF A VOLTAGE IS REPRESENTED BY (vcc), AND ALL REFERENCES TO THAT VOLTAGE ARE REPRESENTED BY (vcc).
 - OUTLINED CIRCUIT MAY NOT BE STUFFED DEPENDING ON MODEL, SEE STUFFING CHART FOR CLARIFICATION.
 - COMPONENT VALUES SHOWN WITH AN ASTERISK (*) FOLLOWING THE VALUE, MAY HAVE DIFFERENT VALUES, OR MAY NOT BE STUFFED DEPENDING ON MODEL. SEE STUFFING CHART FOR CLARIFICATION.

APPEND THE FOLLOWING DOCUMENTS WHEN CHANGING THIS DOCUMENT:	DRAWING CONTENT:		TITLE: SCHEMATIC DIAGRAM SR9300 SERIES 12-BIT 11-CHANNEL A/D CONVERTER	 2900 SPAFFORD ST. DAVIS, CA 95616 530 - 757 - 4616
	DRAWN BY: (INITIAL RELEASE) RAF	18JUN99		
	REVISED BY: DM	20JUN01	SIZE: B DWG NO.: 090-0086	
APPROVALS: INITIAL RELEASE				
	PROJECT ENGINEER: Darren Musgrove	7/20/01	SCALE: NONE RELEASE DATE: SHEET 1 OF 2	
	ENGINEERING MANAGER: R. Matthews	7/20/01		

USER INTERFACE



COPYRIGHT 2000, Z-WORLD, INC.

20JUN01

SIZE	DWG NO.	
B	090-0086	
SCALE	NONE	REV LTR
		D
SHEET 2		OF 2