

6

5

4

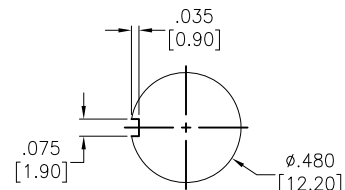
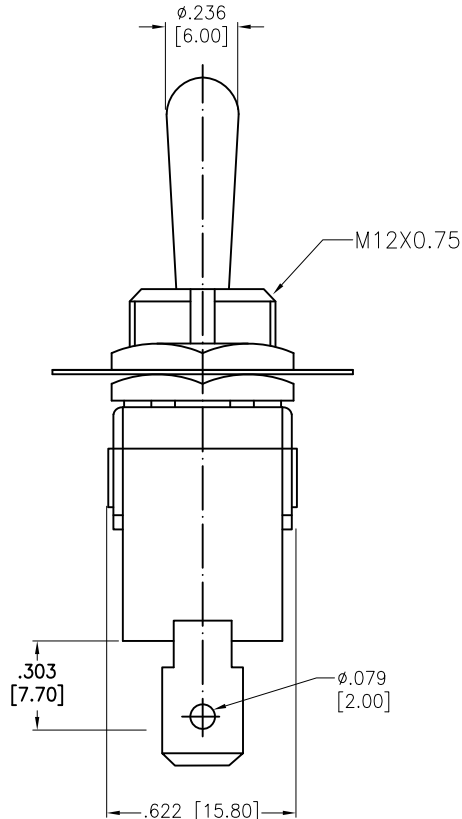
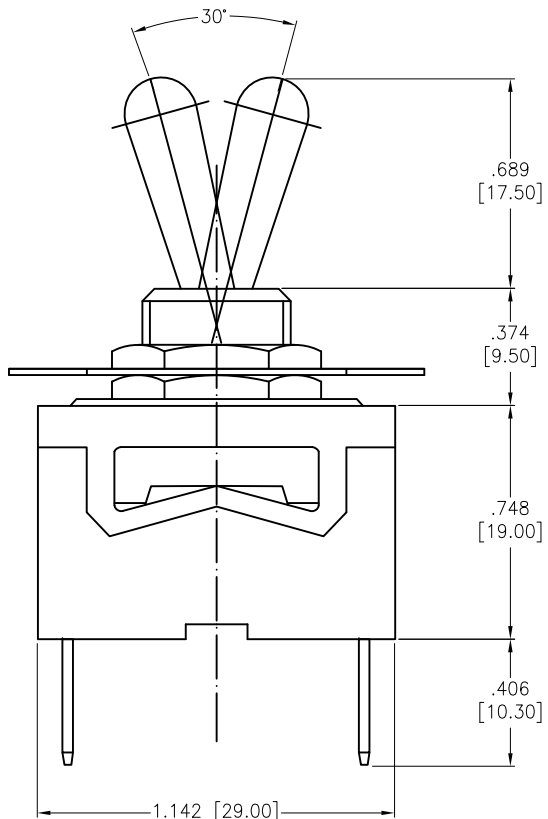
3

2

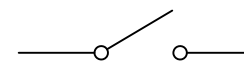
1

APPROVED: _____
DATE: _____ TITLE: _____

Rev	AWO #	Description	Date	Appr
-		RELEASED	8/10/21	



RECOMMENDED
PANEL CUT-OUT



CIRCUIT DIAGRAM
(SPST)

SW-T1-1X-B-K1

A=ON-OFF
C=OFF-(ON)

SPECIFICATIONS:

Material:
Body: Bakelite, Color: Black
Lever: Brass, Nickel plated
Terminal: Brass, Silver plated

Electrical:
Rating: 10A @ 250V AC
15A @ 125V AC
Contact resistance: 50 mΩ max

Insulation resistance: 1000 MΩ min (500VDC)
Dielectric withstanding voltage: 1500V AC for 1 minute
Electrical Life: 10,000 cycles
Temperature Rating:

Operating temperature: -25°C to +85°C

Environmental:

Lead free, RoHS compliant



UNLESS OTHERWISE SPECIFIED ALL DIMENSIONS
ARE INCHES [MM]. TOLERANCES: EXCEPT AS NOTED

INCHES		HOLES	
.x	± .10	∅x	± .10
.xx	± .020	∅xx	± .015
.xxx	± .015	∅xxx	± .010

DRAWN	WX	8/10/21
CHECKED	RC	8/10/21
APPROVED		

THIS DRAWING CONTAINS INFORMATION THAT IS PROPRIETARY
AND SHOULD NOT BE USED WITHOUT PRIOR WRITTEN
PERMISSION FROM ADAM TECH



909 Rahway Avenue,
Union, NJ 07083
Phone: 908-687-5000
Fax: 908-687-5710

TITLE SWITCH, TOGGLE MEDIUM, SPST,
ON-OFF, OFF-(ON), PC TERMINAL .250" [6.35MM]

SIZE X	PART NO. SW-T1-1X-B-K1	REV. -
REF: S00204C	SCALE: NTS	SHEET 1 OF 1

6

5

4

3

2

1