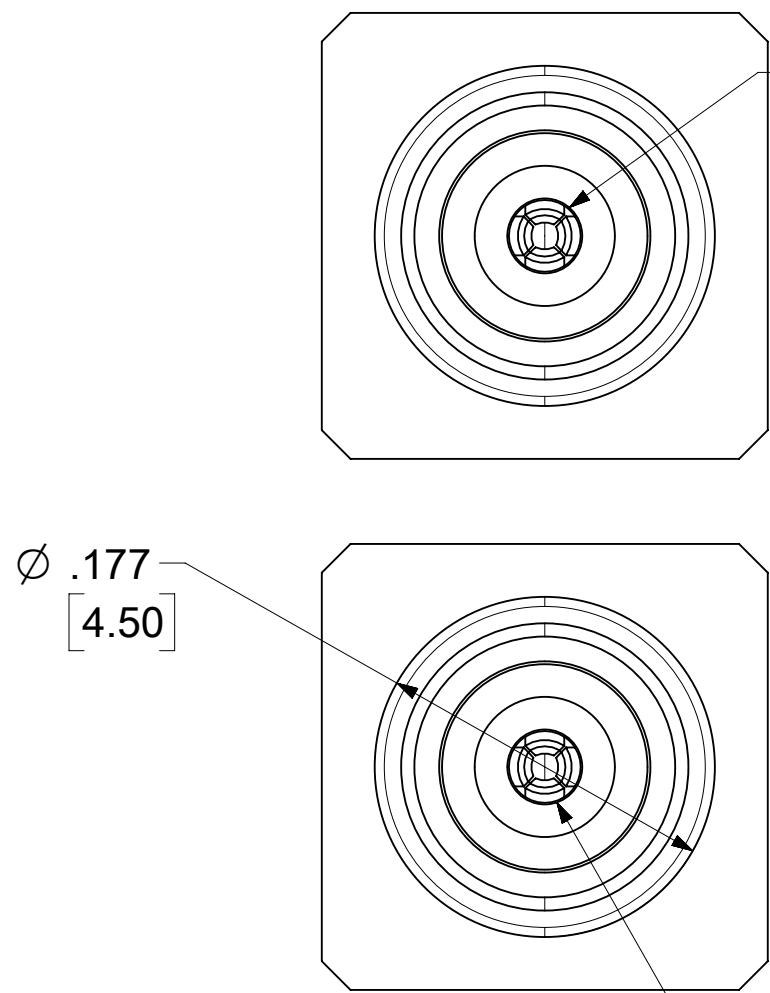


**MATERIALS & FINISHES:**

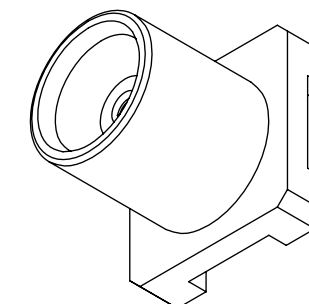
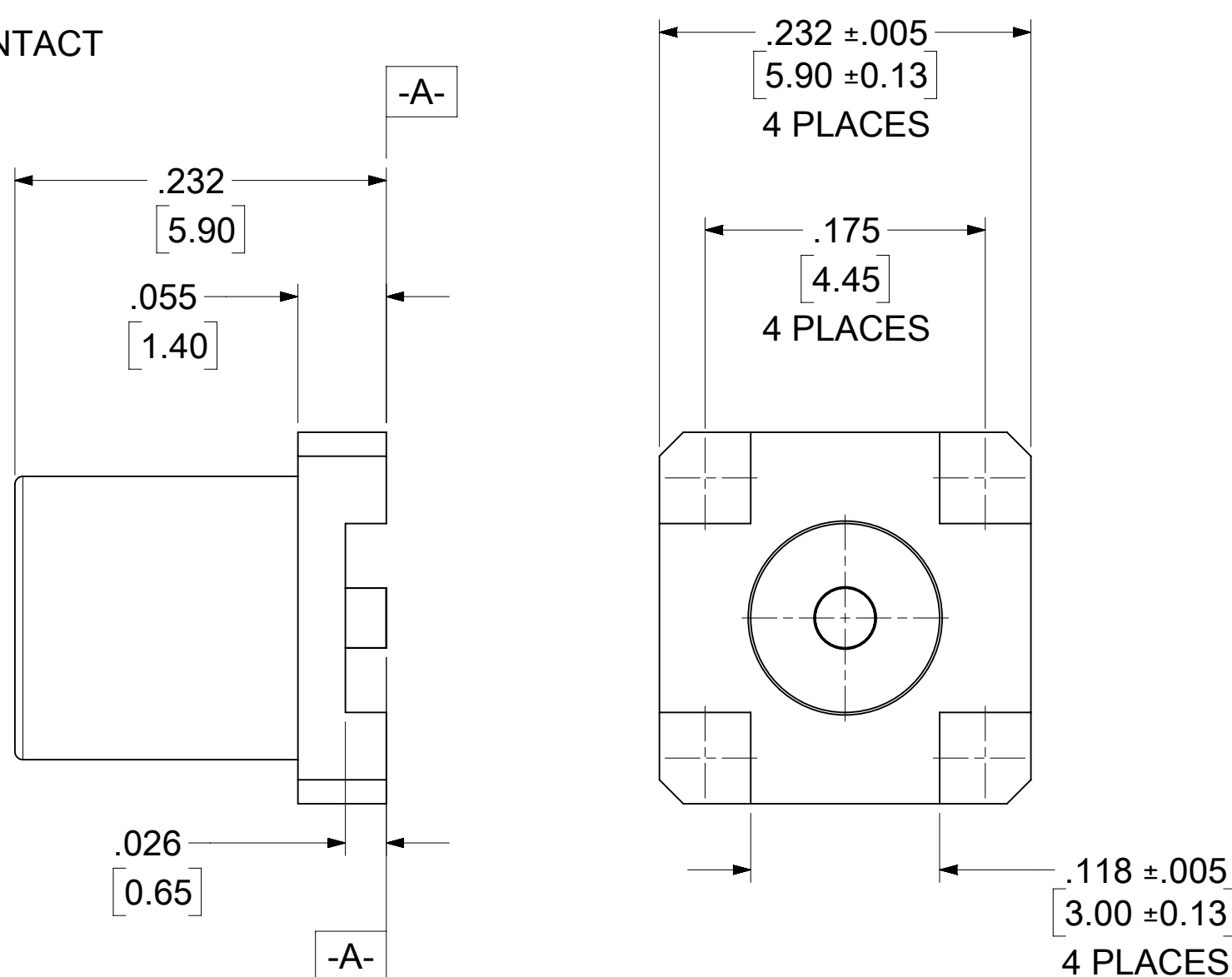
BODY: BRASS  
PLATING: SEE TABLE

CONTACT: BERYLLIUM COPPER  
PLATING: GOLD 30u"

INSULATOR: TEFLON



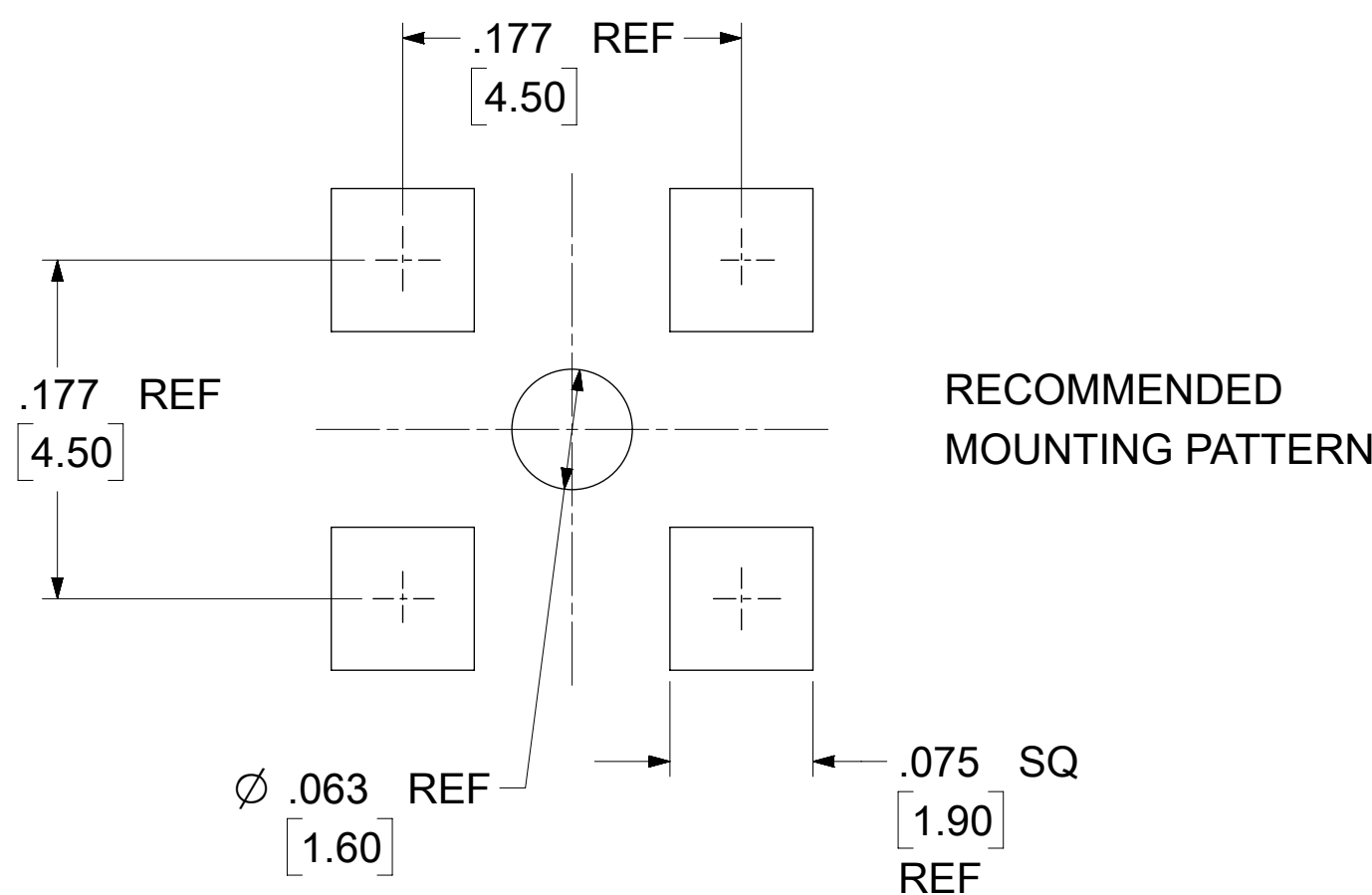
73415-1696  
4 SLOT CONTACT



NOTE:  
73415-1696 AND 73415-1697 WITH 4 SLOTS.  
ALL OTHERS WITH 2 SLOT CONTACT.

CONTACT TO BE FLUSH  
-TO .004(0.10) BELOW  
SURFACE

73366-6510	73415-1691 WITH T&R SEE SHEET2 NOTE	GOLD (1 u")
73415-1699	ONE PIECE PER BAG	GOLD (1 u")
73415-1698	T&R SEE SHEET2 NOTE	GOLD (30 u")
73415-1697	73415-1696 WITH T&R SEE SHEET2 NOTE	GOLD (1 u")
73415-1696	GENERAL	GOLD (1 u")
73415-1695	73415-1690 WITH T&R SEE SHEET2 NOTE	NICKEL
73415-1694	73415-1691 PACKAGING SMALL TRAY	GOLD (1 u")
73415-1693	73415-1690 PACKAGING SMALL TRAY	NICKEL
73415-1692	73415-1691 WITH T&R SEE SHEET2 NOTE	GOLD (1 u")
73415-1691	BAG (500 PCS PER BAG)	GOLD (1 u")
73415-1690	BAG (500 PCS PER BAG)	NICKEL
PART NO.	PACKAGING	BODY PLATING



PS-89675-1830	PERFORMANCE
SPECIFICATION	DESCRIPTION

FUNCTIONAL SYMBOLS	THIS DRAWING CONTAINS INFORMATION THAT IS PROPRIETARY TO MOLEX ELECTRONIC TECHNOLOGIES, LLC AND SHOULD NOT BE USED WITHOUT WRITTEN PERMISSION		
	DIMENSION UNITS	SCALE	CURRENT REV DESC: UPDATED TOLERANCE PER EWR14541-A
$\nabla_A = 0$	IN/MM	NTS	
$\nabla_C = 0$	GENERAL TOLERANCES (UNLESS SPECIFIED)		
	ANGULAR TOL $\pm 2.0^\circ$		
DIVISIONAL SYMBOLS	4 PLACES	$\pm$	EC NO: 672469
	3 PLACES	$\pm$	DRWN: CWEI02
	2 PLACES	$\pm .01 / 0.25$	2021/06/07
	1 PLACE	$\pm$	2021/08/06
0 PLACES	$\pm$	2021/08/06	CHK'D: YCHENG
INITIAL REVISION:			APPR: YCHENG
DRWN: LMB			2000/11/09
APPR: JWIENER			2010/04/23
DRAFT WHERE APPLICABLE MUST REMAIN WITHIN DIMENSIONS		THIRD ANGLE PROJECTION	DRAWING
			C-SIZE
		SERIES	73415
DOCUMENT NUMBER		DOC TYPE	DOC PART
SD-73415-169		PSD	001
CUSTOMER		REVISION	B6
GENERAL MARKET		SHEET NUMBER	
SEE TABLE		1 OF 2	

**molex**

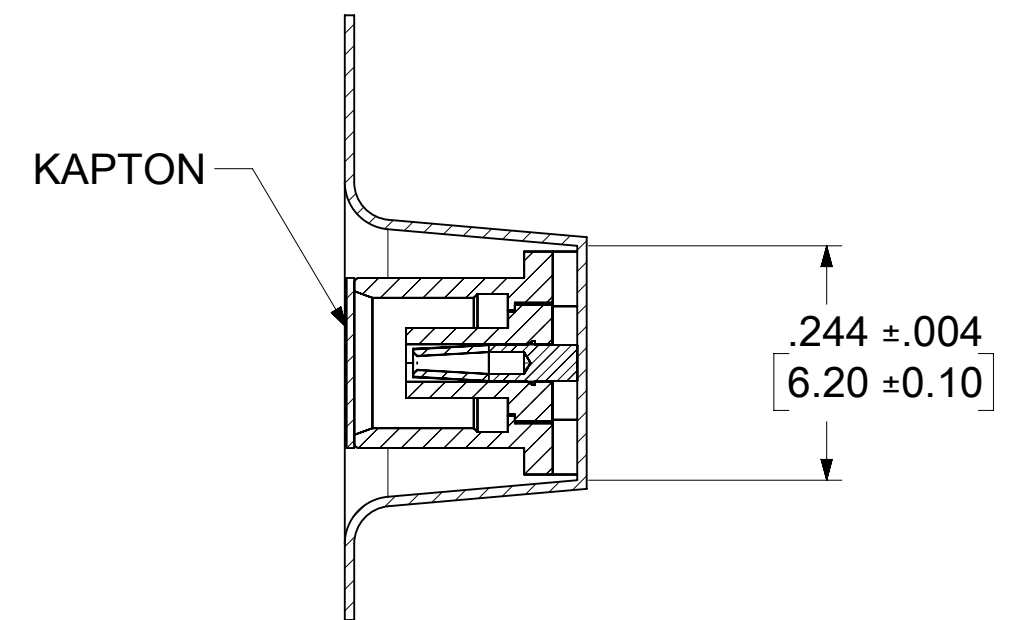
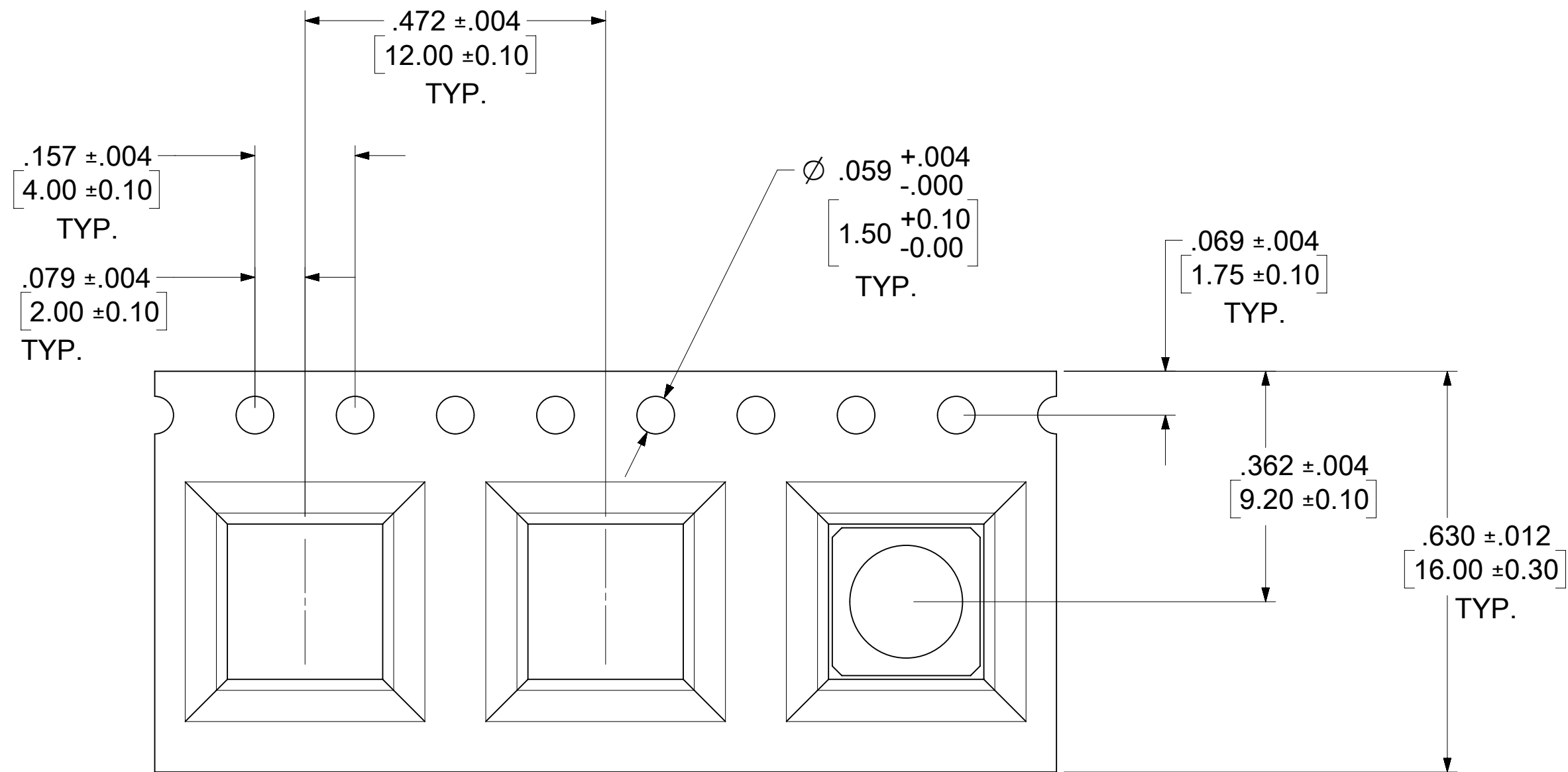
MCX PCB/SMT JACK 50 OHM  
MCX-J/PCB/SMT EWR-1148

PRODUCT CUSTOMER DRAWING

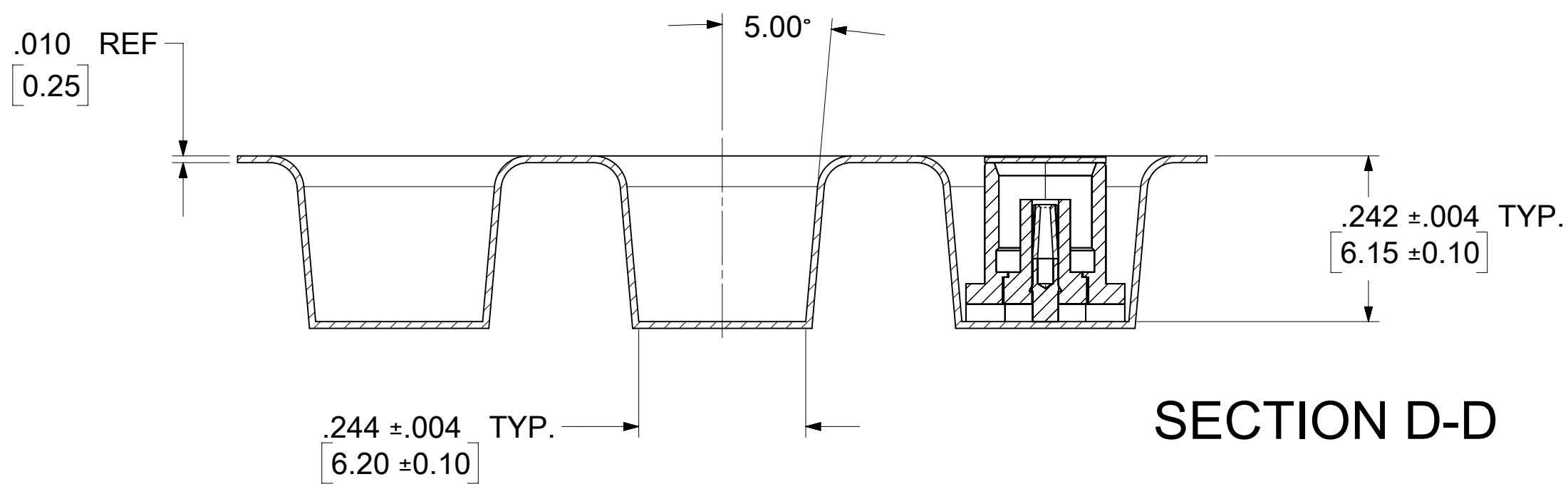
SD-73415-169

PSD 001 B6

SEE TABLE GENERAL MARKET 1 OF 2



SECTION B-B



SECTION D-D

NOTE:  
750 CONNECTOR PER REEL ON 13 INCH REEL,  
16mm TAPE, 12mm CAVITY PITCH  
TAPE CAP ON EACH PART

FUNCTIONAL SYMBOLS $\nabla_A = 0$ $\nabla_C = 0$ $\nabla_P = 0$ DIVISIONAL SYMBOLS 4 PLACES ± 3 PLACES ± 2 PLACES ± .01 / 0.25 1 PLACE ± 0 PLACES ±	THIS DRAWING CONTAINS INFORMATION THAT IS PROPRIETARY TO MOLEX ELECTRONIC TECHNOLOGIES, LLC AND SHOULD NOT BE USED WITHOUT WRITTEN PERMISSION		CURRENT REV DESC: UPDATED TOLERANCE PER EWR14541-A					
	DIMENSION UNITS	SCALE	EC NO: 672469					
	IN/MM	NTS	DRWN: CWEI02 2021/06/07					
	GENERAL TOLERANCES (UNLESS SPECIFIED)		CHK'D: YCHENG 2021/08/06					
ANGULAR TOL ± 2.0°		APPR: YCHENG 2021/08/06		PRODUCT CUSTOMER DRAWING				
DRAFT WHERE APPLICABLE MUST REMAIN WITHIN DIMENSIONS		THIRD ANGLE PROJECTION	DRAWING	SERIES	DOCUMENT NUMBER	DOC TYPE	DOC PART	REVISION
			C-SIZE	73415	SD-73415-169	PSD	001	B6
					SEE TABLE	GENERAL MARKET		SHEET NUMBER
								2 OF 2