



Property of Lite-On Only

SMD LAMP LED

OFFICE : 90 Chien I Road, Chung Ho
Taipei, Taiwan, R.O.C.

TEL : +886-2-2222-6181

FAX : +886-2-2226-5872

LTW-Z5630SZL30

DATASHEET

DATE : 2012/08/08

REV. NO. : Version : A

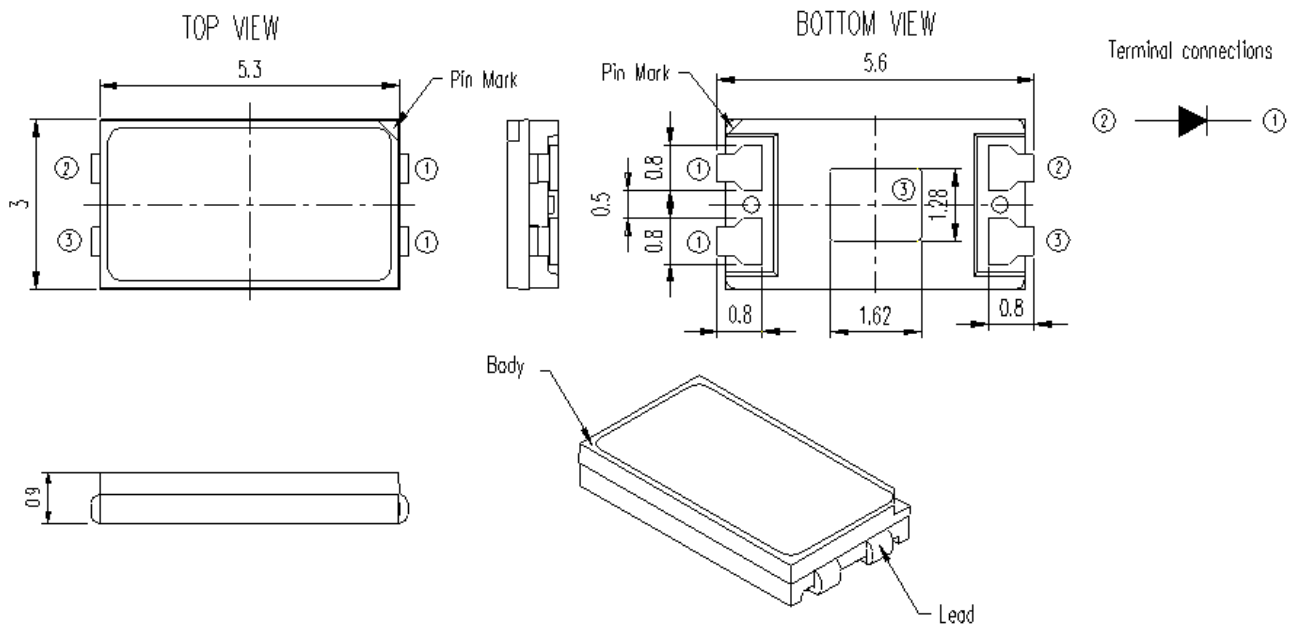
PAGE : 0 of 11

Property of Lite-On Only

Features

- * Package in 8mm tape on 7" diameter reels.
- * Compatible with automatic placement equipment.
- * Compatible with infrared and vapor phase reflow solder process.
- * EIA STD package.
- * I.C. compatible.
- * Meet green product and Pb-free(According to RoHS)

Package Dimensions



Part No.	Lens Color	Source Color
LTW-Z5630SZL30	Orange	InGaN Blue

Notes:

1. All dimensions are in millimeters.
2. Tolerance is ± 0.2 mm (.008") unless otherwise noted.
3. Thermal pad and one of leads are connected and marked as ③, but without polarity.

Property of Lite-On Only

Absolute Maximum Ratings at Ta=25°C

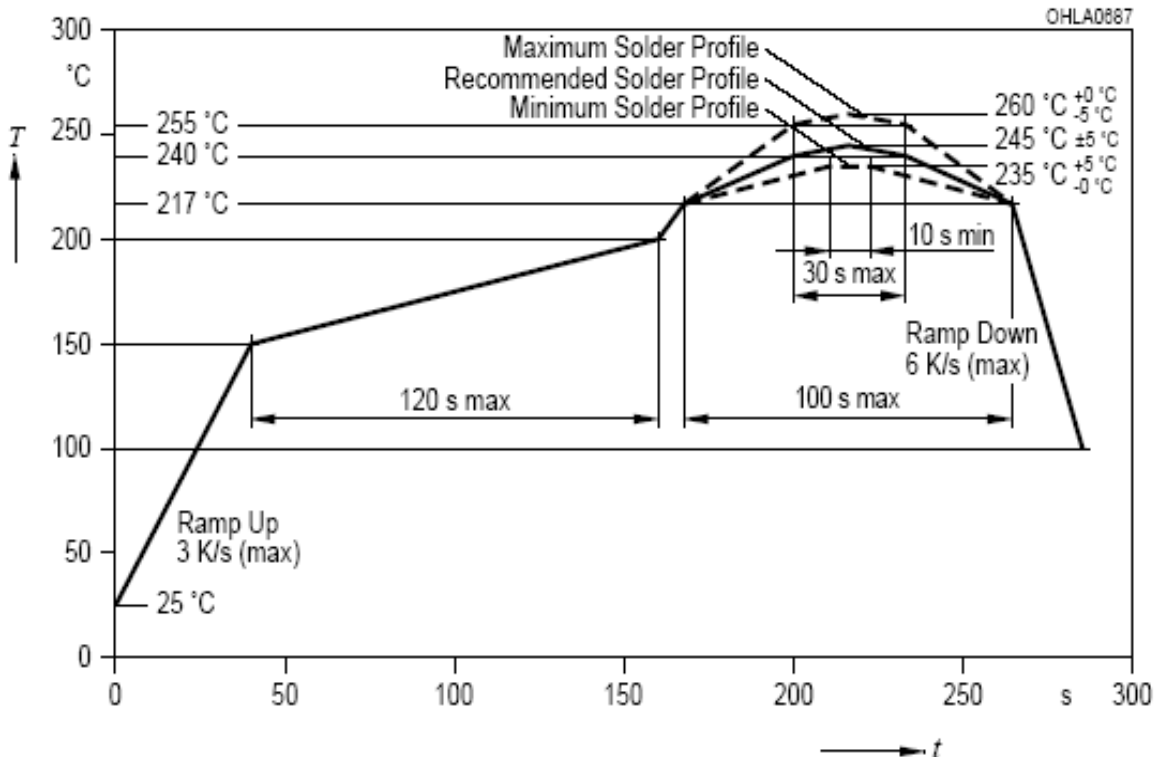
Parameter	Symbol	Rating	Unit
Power Dissipation	P_o	576	mW
Continuous Forward Current	I_F	150	mA
Operating Temperature Range	T_{opr}	-40 ~ +80	°C
Storage Temperature Range	T_{stg}	-40 ~ +100	°C
Junction Temperature	T_j	≤ 115	°C

Note: 1/10 duty cycle, Pulse width $\leq 100\mu s$.

Forbid to operating at reverse voltage condition for long.

Suggestion IR Reflow Profile For Pb Free Process :

IR-Reflow Soldering Profile for lead free soldering (Acc. to J-STD-020B)



Property of Lite-On Only
Electro-Optical Characteristics at Ta=25°C

Parameter	Symbol	Values		Test Condition	Unit
Forward Voltage	V_F	Min	3.0	$I_F = 120\text{mA}$	V
		Typ.	3.2		
		Max.	3.6		
Luminous Flux ¹	Φ_V	Min	30.5	$I_F = 120\text{mA}$	lm
		Typ.	38.5		
		Max.	46.5		
Reverse Current	I_R	Max.	100	$V_R = 5\text{V}$	μA
Viewing Angle	$2\theta_{1/2}$	Typ.	120	$I_F = 120\text{mA}$	°
Chromaticity Coordinates	x	Typ.	0.434	$I_F = 120\text{mA}$	
	y	Typ.	0.403		
Optical Efficiency	η_{opt}	Typ.	100	$I_F = 120\text{mA}$	lm/W
Correlated Color Temperature	CCT	Typ.	3000	$I_F = 120\text{mA}$	K
Color Rendering Index	CRI	Min	80	$I_F = 120\text{mA}$	

Notes

- Luminous flux is the total luminous flux output as measured with an integrating sphere.
- Iv (flux Φ_V) classification code is marked on each packing bag.
- The chromaticity coordinates (x, y) is derived from the 1931 CIE chromaticity diagram.
- Caution in ESD:
Static Electricity and surge damages the LED. It is recommended using a wrist band or anti-electrostatic glove when handling the LED. All devices, equipment and machinery must be properly grounded.
- CAS140B is the test standard for the chromaticity coordinates (x, y) & Φ_V .
- The chromaticity coordinates (x, y) guarantee should be added +/- 0.01 tolerance
- CRI measurement allowance is ± 5

Property of Lite-On Only**Bin Code List**

V_F (in parallel) Spec. Table		
V_F Bin	Forward Voltage (volts) at $I_F = 120\text{mA}$	
	Min	Max
V1	3.0	3.1
V2	3.1	3.2
V3	3.2	3.3
V4	3.3	3.4
V5	3.4	3.5
V6	3.5	3.6

Tolerance on each Forward Voltage bin is +/- 0.1V

Φ_v Luminous Flux Spec. Table		
Φ_v Bin	Lumen (lm) at $I_F = 120\text{mA}$	
	Min	Max
R1	30.5	35.5
R2	35.5	40.5
R3	40.5	46.5

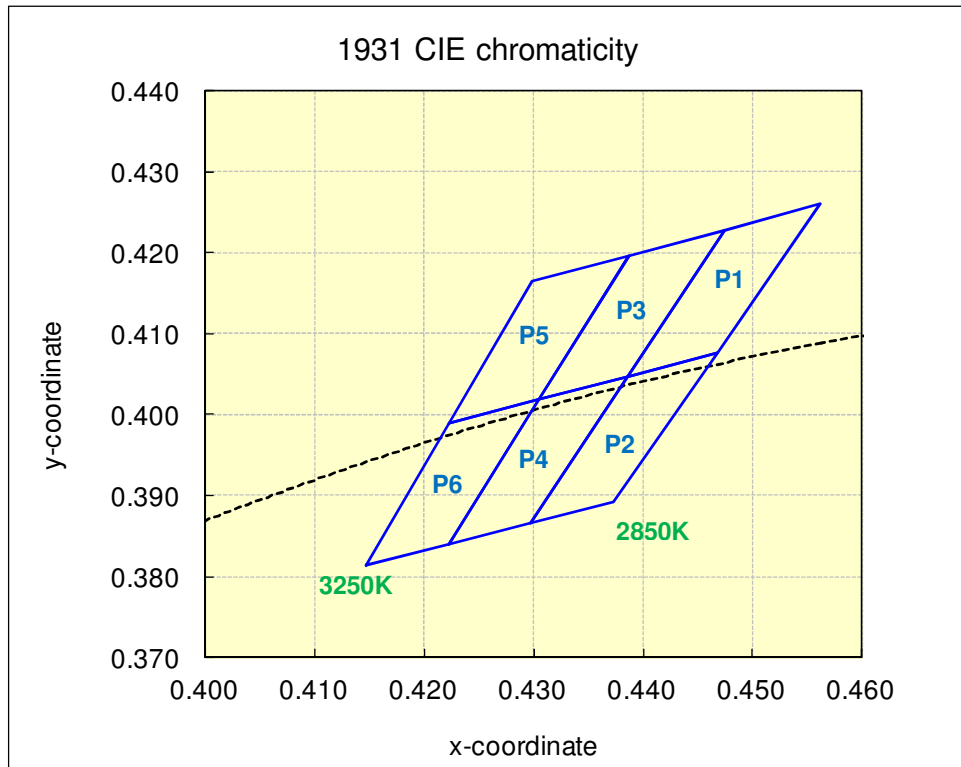
Tolerance on each Luminous Flux bin is +/- 7.5%.

Property of Lite-On Only

Hue Bin	Color bin limits at $I_F = 120\text{mA}$				
	CIE 1931 Chromaticity coordinates				
P1	x	0.4386	0.4474	0.4562	0.4468
	y	0.4048	0.4228	0.4260	0.4077
P2	x	0.4298	0.4386	0.4468	0.4373
	y	0.3867	0.4048	0.4077	0.3893
P3	x	0.4305	0.4387	0.4474	0.4386
	y	0.4019	0.4197	0.4228	0.4048
P4	x	0.4222	0.4305	0.4386	0.4298
	y	0.3840	0.4019	0.4048	0.3867
P5	x	0.4223	0.4299	0.4387	0.4305
	y	0.3990	0.4165	0.4197	0.4019
P6	x	0.4147	0.4223	0.4305	0.4222
	y	0.3814	0.3990	0.4019	0.3840

Tolerance on each Hue (x, y) bin is +/- 0.01.

Hue Bin:



Property of Lite-On Only

Typical Electrical / Optical Characteristics Curves (25°C Ambient Temperature Unless Otherwise Noted)

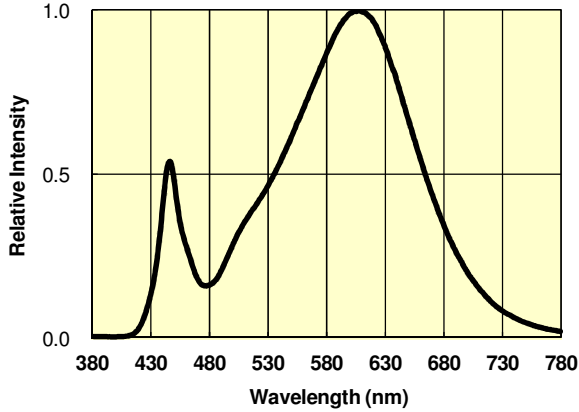


Fig.1 Typical Spectrum

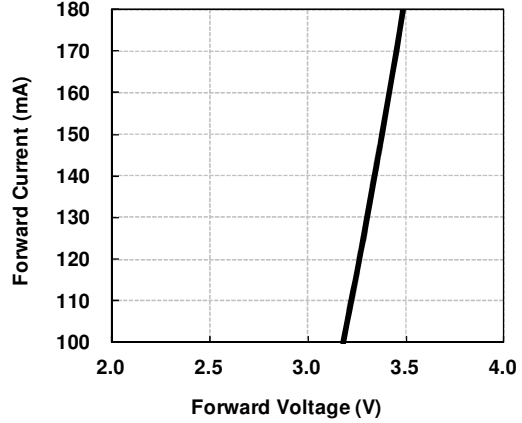


Fig.2 Forward Current vs Forward Voltage

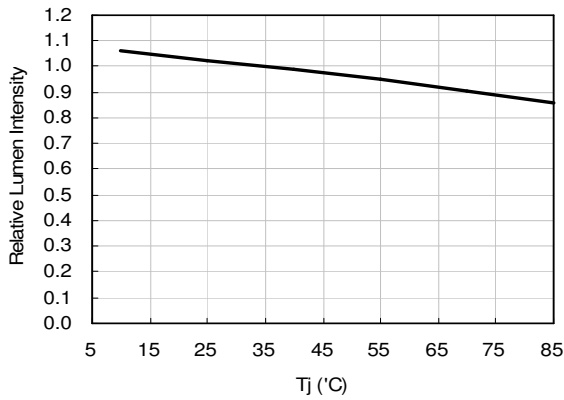


Fig.3 Relative Luminous vs Junction Temperature

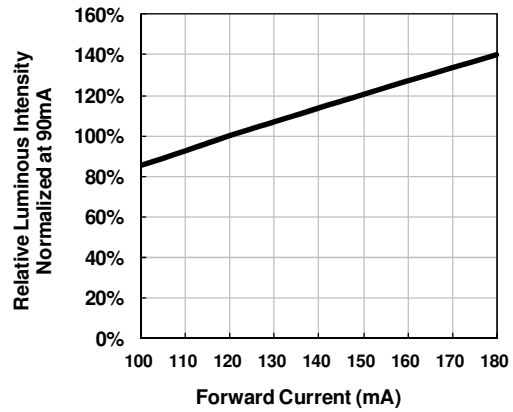


Fig.4 Relative Luminous vs Forward Current

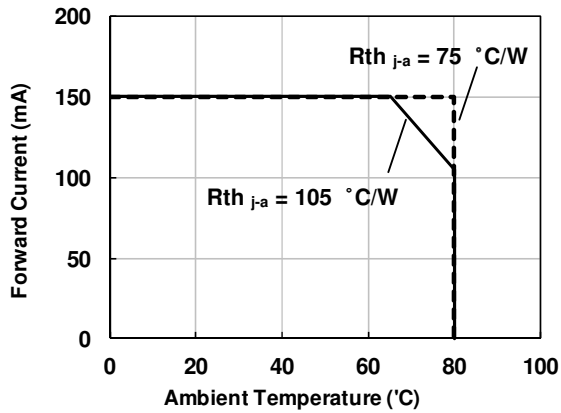


Fig.5 Forward Current Derating Curve

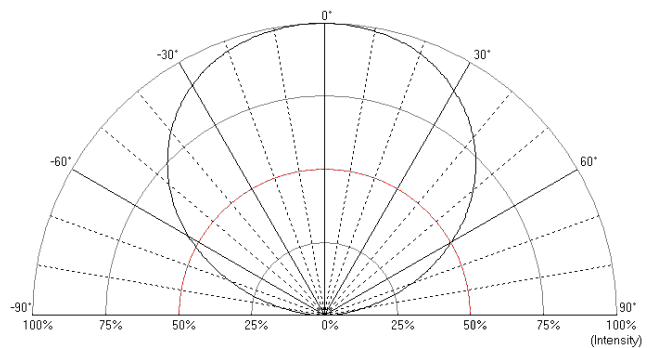


Fig.6 Spatial Distribution

Property of Lite-On Only

User Guide

Cleaning

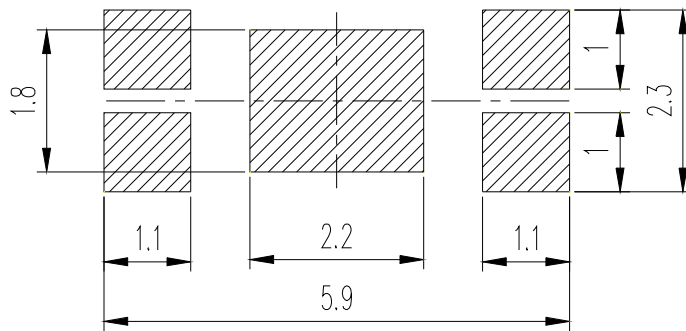
Do not use unspecified chemical liquid to clean LED they could harm the package.

If cleaning is necessary, immerse the LED in ethyl alcohol or isopropyl alcohol at normal temperature for less than one minute.

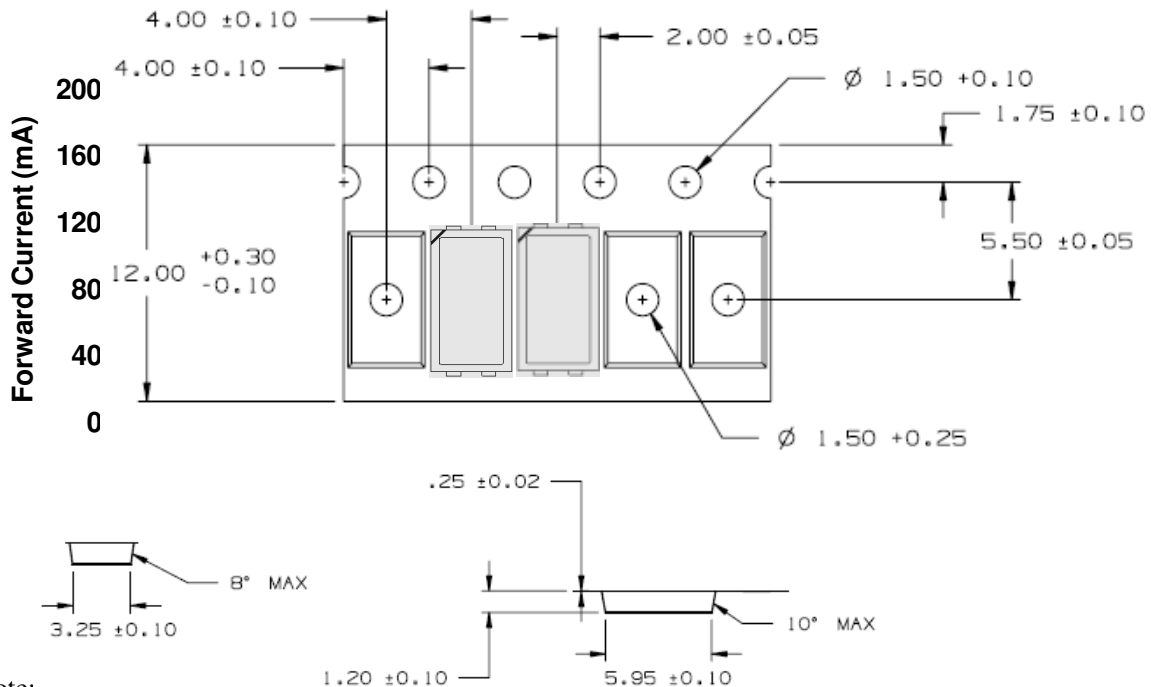
Recommend Printed Circuit Board Attachment Pad

Infrared / vapor phase

Reflow Soldering



Package Dimensions of Tape

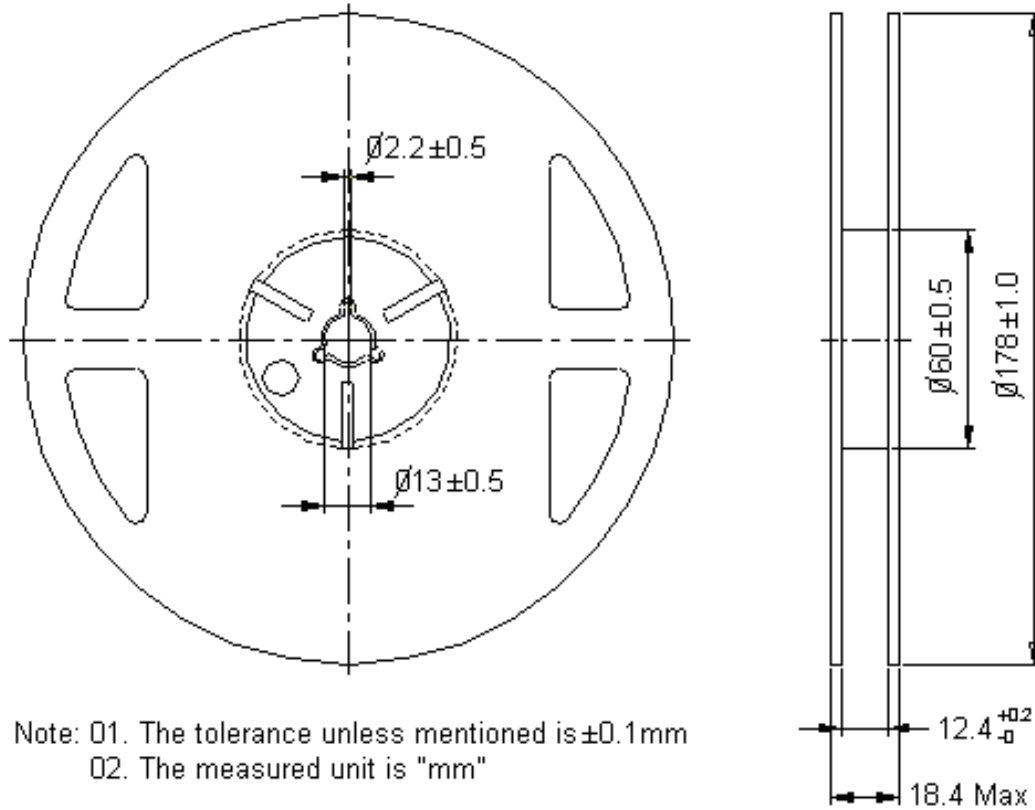


Note:

1. All dimensions are in millimeters (inches).

Property of Lite-On Only

Package Dimensions of Reel



Note: 01. The tolerance unless mentioned is ± 0.1 mm
02. The measured unit is "mm"

Notes:

1. Empty component pockets sealed with top cover tape.
2. 7 inch reel-1000 pieces per reel.
3. Minimum packing quantity is 500 pieces for remainders.
4. The maximum number of consecutive missing lamps is two.
5. In accordance with EIA-481-1-B specifications.

CAUTIONS

1. Application

The LEDs described here are intended to be used for ordinary electronic equipment (such as office equipment, communication equipment and household applications). Consult Liteon's Sales in advance for information on applications in which exceptional reliability is required, particularly when the failure or malfunction of the LEDs may directly jeopardize life or health (such as in aviation, transportation, traffic control equipment, medical and life support systems and safety devices).

2. Storage

This product is qualified as Moisture sensitive Level 3 per JEDEC J-STD-020 Precaution when handling this moisture sensitive product is important to ensure the reliability of the product.

The package is sealed:

The LEDs should be stored at 30°C or less and 90%RH or less. And the LEDs are limited to use within one year, while the LEDs is packed in moisture-proof package with the desiccants inside.

The package is opened:

The LEDs should be stored at 30°C or less and 60%RH or less. Moreover, the LEDs are limited to solder process within 72hrs. If the Humidity Indicator shows the pink color in 10% even higher or exceed the storage limiting time since opened, that we recommended to baking LEDs at 60°C at least 24hrs. To seal the remainder LEDs return to package, it's recommended to be with workable desiccants in original package.

3. Cleaning

Use alcohol-based cleaning solvents such as isopropyl alcohol to clean the LED if necessary.

4. Soldering

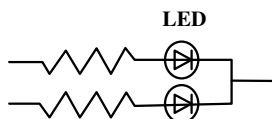
Recommended soldering conditions:

Reflow soldering		Wave Soldering		Soldering iron	
Pre-heat	120~150°C	Pre-heat	100°C Max.	Temperature	300°C Max.
Pre-heat time	120 sec. Max.	Pre-heat time	60 sec. Max.	Soldering time	3 sec. Max.
Soldering Temp.	260°C Max.	Solder wave	260°C Max.		(one time only)
Soldering time	30 sec. Max.	Soldering time	10 sec. Max.		

5. Drive Method

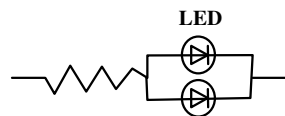
An LED is a current-operated device. In order to ensure intensity uniformity on multiple LEDs connected in parallel in an application, it is recommended that a current limiting resistor be incorporated in the drive circuit, in series with each LED as shown in Circuit A below.

Circuit model A



(A) Recommended circuit.

Circuit model B



(B) The brightness of each LED might appear different due to the differences in the I-V characteristics of those LEDs.

6. ESD (Electrostatic Discharge)

Static Electricity or power surge will damage the LED.

Suggestions to prevent ESD damage:

Property of Lite-On Only

- Use of a conductive wrist band or anti-electrostatic glove when handling these LEDs.
- All devices, equipment, and machinery must be properly grounded.
- Work tables, storage racks, etc. should be properly grounded.
- Use ion blower to neutralize the static charge which might have built up on surface of the LED's plastic lens as a result of friction between LEDs during storage and handling.

ESD-damaged LEDs will exhibit abnormal characteristics such as high reverse leakage current, low forward voltage, or “no lightup” at low currents.

To verify for ESD damage, check for “light up” and Vf of the suspect LEDs at low currents.

The Vf of “good” LEDs should be >2.0V@0.1mA for InGaN product and >1.4V@0.1mA for AlInGaP product.

7. Reliability Test

Test Item	Test Condition	Note	Number of Damaged
Steady State Operating Life of High Temperature (HTOL)	Ta=85°C, IF=120mA	1000 hrs	0/22
Steady State Operating Life of Low Temperature (LTOL)	Ta=-40°C, IF=120mA	1000 hrs	0/22
Pulse Wet Operating Life of High Temperature (PWHTOL)	60°C/90%RH, IF=120mA 30mins ON/30min OFF	500 hrs	0/22
High Temperature Storage (HTS)	100°C	1000 hrs	0/22
Low Temperature Storage (LTS)	-40°C	1000 hrs	0/22
Thermal Cycle (TC)	-40°C ~ 100°C 30min dwell 5min transfer	200 cycle	0/22
Thermal Shock (TS)	-40°C ~ 100°C 20min dwell 20sec transfer	200 cycle	0/22
Solder Resistance (SR)	265°C, 3X MSL	5sec	0/22
Solder Ability (SA)	245°C 5sec, 95% coverage	5sec	0/11
Mechanical Shock (MS)	1500G 0.5msec pulse shock	each 6 axis	0/6
Random Vibration (RV)	6G RMS, 10-2000Hz, 10min	per axis	0/6
Variable Vibration Frequency (VVF)	10-2000-10Hz, log or linear sweep rate, 20G for 1 min, 1.5mm each apply 3x per	over 6hrs	0/6
Salt Spread (SS)	35°C, 30g/m2/day	48hrs	0/11

Item	Lumen Shift	Voltage Shift	CIE X, Y Shift
Criteria for Judgement	Over -30%	Within ±10%	Within ±0.01

Property of Lite-On Only**8. Others**

The appearance and specifications of the product may be modified for improvement without prior notice.

9. Suggested Checking List

Training and Certification

1. Everyone working in a static-safe area is ESD-certified?
2. Training records kept and re-certification dates monitored?

Static-Safe Workstation & Work Areas

1. Static-safe workstation or work-areas have ESD signs?
2. All surfaces and objects at all static-safe workstation and within 1 ft measure less than 100V?
3. All ionizer activated, positioned towards the units?
4. Each work surface mats grounding is good?

Personnel Grounding

1. Every person (including visitors) handling ESD sensitive (ESDS) items wear wrist strap, heel strap or conductive shoes with conductive flooring?
2. If conductive footwear used, conductive flooring also present where operator stand or walk?
3. Garments, hairs or anything closer than 1 ft to ESD items measure less than 100V*?
4. Every wrist strap or heel strap/conductive shoes checked daily and result recorded for all DLs?
5. All wrist strap or heel strap checkers calibration up to date?

Note: *50V for Blue LED.

Device Handling

1. Every ESDS items identified by EIA-471 labels on item or packaging?
2. All ESDS items completely inside properly closed static-shielding containers when not at static-safe workstation?
3. No static charge generators (e.g. plastics) inside shielding containers with ESDS items?
4. All flexible conductive and dissipative package materials inspected before reuse or recycle?

Others

1. Audit result reported to entity ESD control coordinator?
2. Corrective action from previous audits completed?
3. Are audit records complete and on file?

