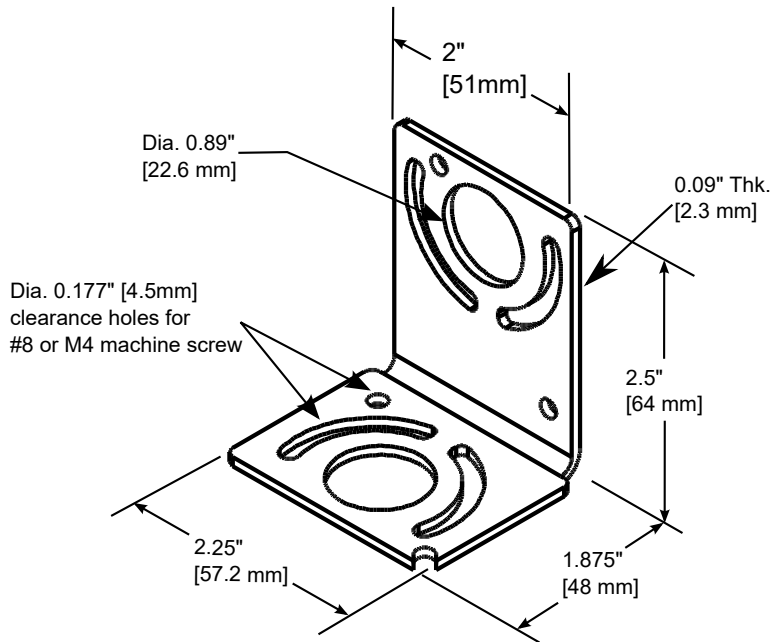


Product Sheet



**T1 Unidirectional Tilt Switch Application Notes**

**T3 Omnidirectional Tilt Switch Application Notes**

For complex mounting scenarios use universal brackets. \* Two brackets can be used to achieve rotation in 3 axes, to nearly any compound angle.

T1 - Tilt switch should be mounted using:

1. Spring (Hose) Clip
2. Weather-Proof Double Sided Tape

