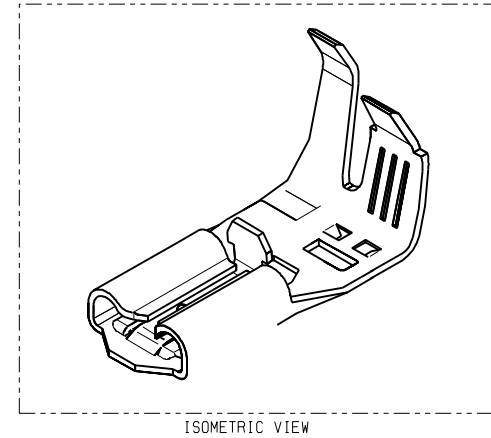


- NOTES
1. MATERIAL : BRASS, 0.3MM THICKNESS
 2. FINISH : PRE-PLATED TIN
 3. MATING TAB THICKNESS : 0.5MM
 4. MATED HOUSING : 35526-0-10



				MATERIAL		SEE NOTES		molex MOLEX-KOREA CO.,LTD.	
				GENERAL TOLERANCE		DIMENSION : +0.3		DRAWN BY J.S.KANG	
				ANGLE :				CHK'D BY	
				DIMENSION CLASSIFICATION		▽ : CRITICAL ▼ : MAJOR		APP'D BY	
				()		REFERENCE		SCALE 5/1	
A	NEW RELEASED	KOR7-0039	97	8.1	ASS'Y PART		TITLE :		SHEET
LTR	REVISION RECORD	ECN	DATE		DESCRIPTION		.187 MP-LOCK FLAG TM'L		1 OF 1
REVISE ONLY ON CAD SYSTEM					ENG. NO.		SD 35418-9002		REV A