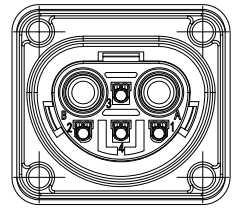
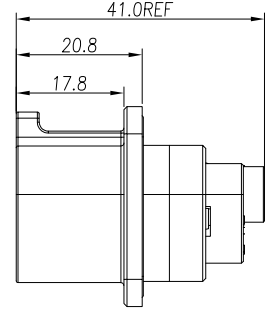
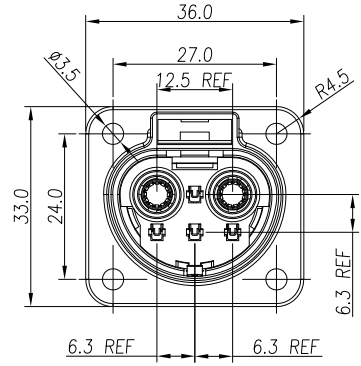
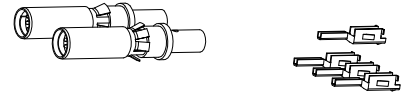
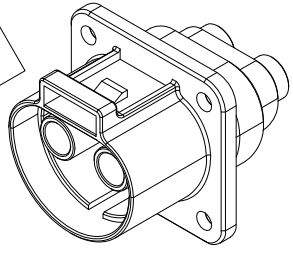


THIS DRAWING IS SUPPLIED FOR INFORMATION ONLY. DESIGN FEATURES, SPECIFICATIONS AND PERFORMANCE DATA SHOWN HEREON ARE THE PROPERTY OF THE AMPHENOL CORPORATION. NO RIGHTS OF REPRODUCTION ARE IMPLIED. ALL DIMENSIONS ARE SUBJECT TO NORMAL MANUFACTURING VARIATIONS.

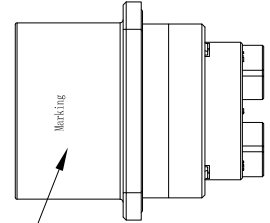
REVISIONS						
REV	ZONE	ECO	DESCRIPTION	DATE	BY	APPR
A	--	--	INITIAL RELEASE	2019/11/25	RJ	JL
B	--	ECNG200405	update drawing	2020/04/08	RJ	JL

Customer Drawing

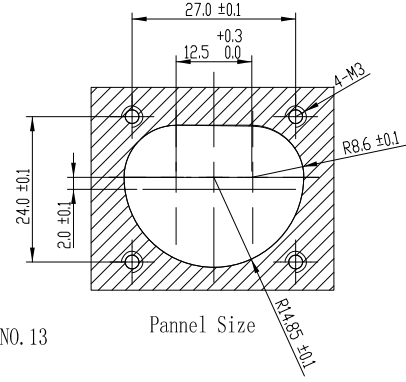


Standard Part List

P/N	Model NO.
AC-HA014036	PL0824X-40-10-CA
AC-HA014037	PL0824Y-40-10-CA
AC-HA014038	PL0824U-40-10-CA



Marking details see spec NO.13



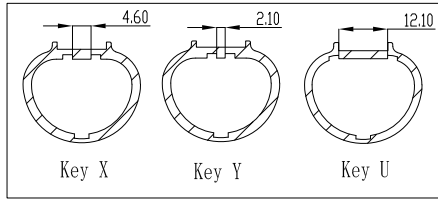
Panel Size

Order Information

PL0824 X - 40 - 10 - CA

键位	线缆大小
"X"	"10"=10mm ²
"Y"	
"U"	

- 规格参数 (Spec.):
1. 工作温度 Operating temperature: -40° C~+125° C.
 2. 额定电流 Current rating: Power Contact 50 A within -40°C~+90°C for pin A and B ;
 3. 额定电压 Operating voltage: Power pins 1000 VDC
 4. 耐电压 Dielectric withstanding voltage: Power pins 5000 VDC
 5. 绝缘电阻 Insulation Resistance: 100MΩ at 500 V D.C.
 6. 防护等级 Protection class: IP67.
 7. 电磁屏蔽 Shielding.
 8. 机械寿命 Mating cycle: 100 Min.
 9. 对配插座见图纸 Mating receptacle see drawing: "PL1824()-40-10-CA".
 10. 接非屏蔽线 Accepte Unshielding Wire.
 11. 印字内容 Marking
 12. 胶芯材料 Insulation Material: PA66
颜色 Color : Black
 13. 阻燃等级 Flammability : UL94 V-0



Marking

AMPHENOL
PL0824(X)-40-10-CA
UL94 V-0
1000VDC 50A
YYWW
XXXXXXXX

		Amphenol Technical Products International Asia.				PART NAME: PL 3.6 2+4 CONM RCPT. ASM.	
		第三角投影 THIRD ANGLE PROJECTION	页面 SHEET	幅面 SIZE	版次 REV.	比例 SCALE	DWG NO: PL0824()-40-10-CA
		1 of 1	A3	B	CUST PART #: N/A		CUST REV.
签名 SIGNATURE 制图 DRAWN Robert.Jing 审核 CHECKED Steven.Tan 批准 APPROVAL James.Li		日期 DATE 2020/04/08 2020/04/08 2020/04/08		UNLESS OTHERWISE SPECIFIED 1) All dimensions are in metric(mm). 2) Tolerances are as follows: 0 PL DEC ±1.00 1 PL DEC ±0.50 2 PL DEC ±0.20		Angles ±1°	