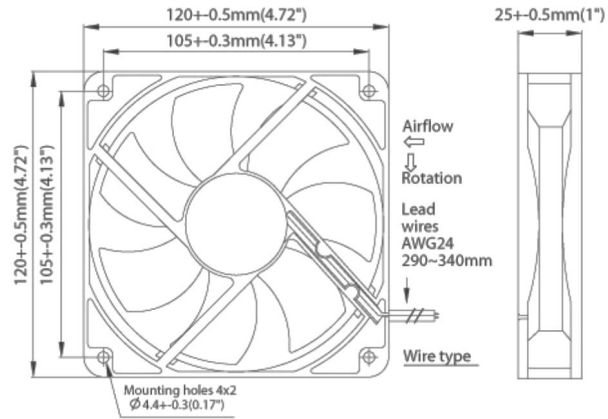


OD1225-IP68 Series



DC Fan, 12, 24, 48V
120x25mm (4.7"x1.0")



Frame	PBT, UL94 V-0 plastic	Operating Temperature -15°C ~ +65°C Storage Temperature -25°C ~ +80°C Life Expectancy 60,000 hours (L10 at 35°C) Available Options Tachometer Alarm PWM Weight: 0.34 lbs m0	
Impeller	PBT, UL94 V-0 plastic		
Connection	2x Lead wires, 24 AWG		
Motor	Brushless DC, Auto Restart, Polarity Protected, Electronically Protected, IP68		
Bearing System	Dual Ball Bearings		
Dielectric Strength	500VAC/min		
Insulation Resistance	10M ohm between leadwires and frame (500 VDC)		

Part Number	Rated Voltage	Input Power	Rated Current	Rated Speed (RPM)	Airflow (CFM)	Noise Level (dB)	Max. Static Pressure
OD1225-12HBIP68	12 VDC	5.4 W	0.45 A	3100	120	42	0.24"H ₂ O
OD1225-12MBIP68	12 VDC	4.0 W	0.35 A	2500	90	35	0.19"H ₂ O
OD1225-12LBIP68	12 VDC	2.5 W	0.20 A	1900	70	25	0.15"H ₂ O
OD1225-24HBIP68	24 VDC	7.7 W	0.32 A	3100	120	42	0.24"H ₂ O
OD1225-24MBIP68	24 VDC	4.1 W	0.17 A	2500	90	35	0.19"H ₂ O
OD1225-24LBIP68	24 VDC	2.4 W	0.10 A	1900	70	25	0.15"H ₂ O
OD1225-48HBIP68	48 VDC	4.5 W	0.09 A	3100	120	42	0.24"H ₂ O
OD1225-48MBIP68	48 VDC	3.5 W	0.07 A	2500	90	35	0.19"H ₂ O
OD1225-48LBIP68	48 VDC	2.9 W	0.06 A	1900	70	25	0.15"H ₂ O