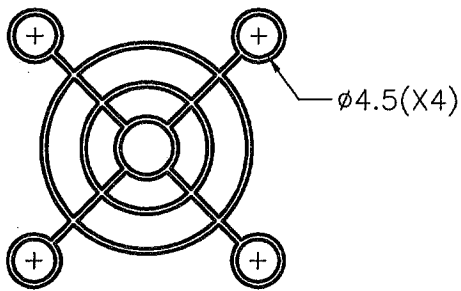
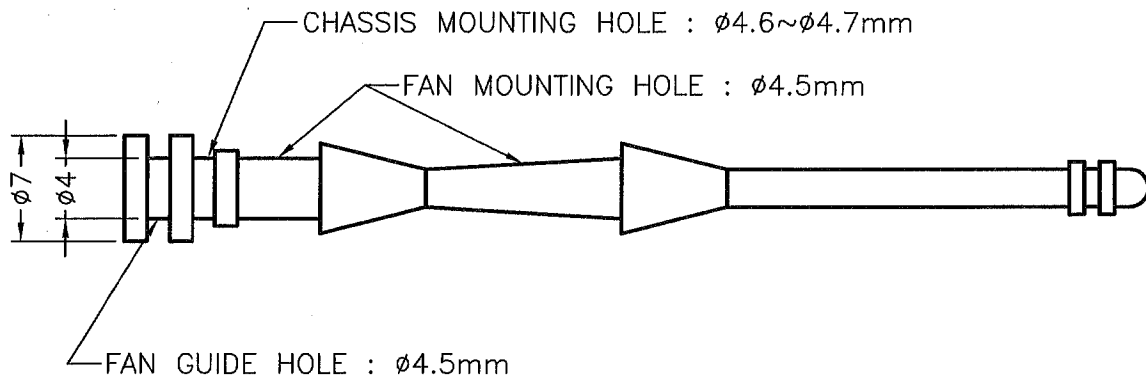
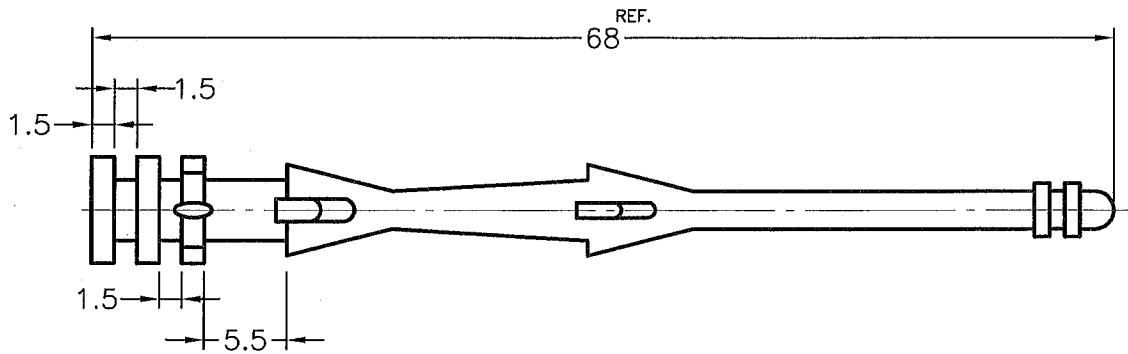



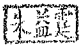
DIM	TOL
5mmDOWN	±0.2
5~20mm	±0.3
20~40mm	±0.4
40~60mm	±0.5
60~100mm	±0.8
100mmUP	±1.0

REVISIONS			
REV	DESCRIPTION	DATE	BY



PART NO.	HARDNESS
BUB-68G	45°±10°
BUB-68H	55°±10°

NOTE: All measurement does not include gate which raises under 1.2mm.

 <p>康揚企業股份有限公司 KANG YANG HARDWARE ENTERPRISE CO., LTD. 康揚塑膠(東莞)有限公司 KANG YANG PLASTIC(DONG GUAN) CO., LTD. 康哲電腦配件(吳江)有限公司 KANG CHE COMPUTER COMPONENTS(WUJIANG) CO., LTD.</p>	TITLE FAN SNAP RIVET		SPEC. DWG.	
	MATERIAL TPE		DATE 2004.04.21	
	HARDNESS SEE ABOVE		DRAWN S.J.C.	
	COLOR BLACK		CHECK 	
PART NUMBER SEE ABOVE	DRAWING NUMBER BUB-68		UNLESS OTHERWISE SPECIFIED TOLERANCE SEE ABOVE	
SIZE A4	SCALE NONE	UNIT mm	REV B	APPROVED 