



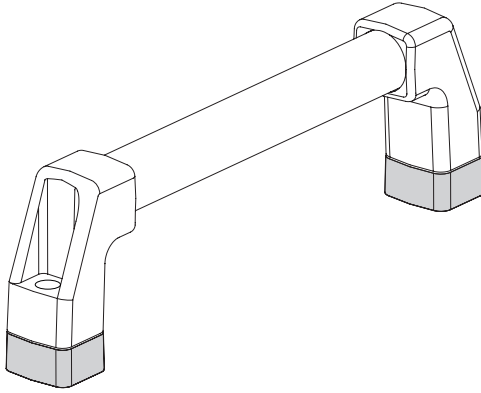
- 1
- 2
- 3
- 4
- 5
- 6
- 7
- 8
- 9
- 10
- 11
- 12
- 13
- 14
- 15
- 16
- 17
- 18

MATERIAL

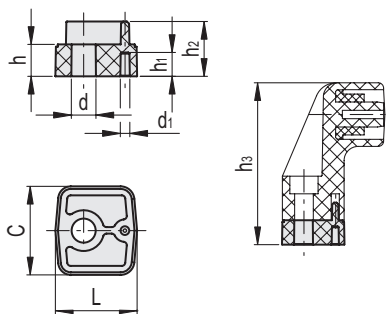
Polyamide based (PA) technopolymer, black colour, matte finish.

FEATURES AND APPLICATIONS

Spacer sleeves for side shank with connection for tube Ø30 have been designed to increase the distance between the handle and the fitting surface.



ELESA Original design



Code	Description	L	d	d1	h	h1	h2	h3	C	For handle	⚖️
15291	DS-M.1043/30-10	35	10.5	4	10	6	20	88	38	M.1043/20 / M.1043 BM/20	14
15293	DS-M.1043/30-20	35	10.5	4	20	16	30	98	38	M.1043/30 / M.1043 BM/30	23