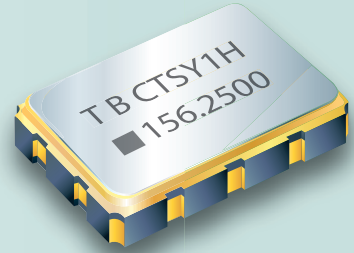


# SMD LVDS SAW Oscillators - Differential Output 5.0 x 3.2 x 1.2 mm CT Series

Oscillators  
 Series

## Features

- SAW base solution.
- 3.3V and 2.5V operation available.
- LVDS output, output frequencies 150 MHz to 700 MHz.
- Excellent low phase noise and jitter.
- Tri-State function available.
- Applications : Fibre Channel, Gigabit Ethernet, Serial ATA, Serial Attached SCSI, PCI-Express, SDH / SONET.
- RoHS Compliant / Pb Free.

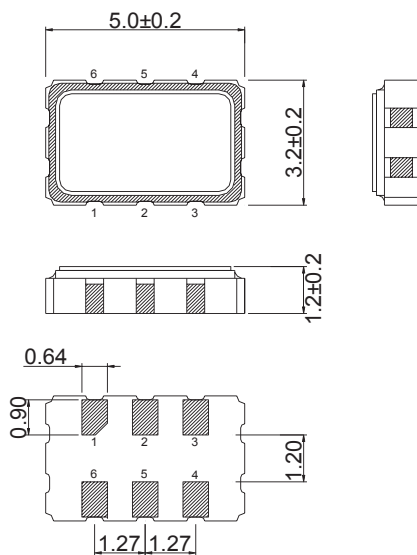


## Electrical Specifications

Item / Type	CT
Output Type	LVDS
Output Load	100 Ω
Oscillation Mode	Fundamental
Supply Voltage	2.5 V , 3.3 V
Frequency Range	150 ~ 700 MHz
Overall Frequency Stability *	± 100 ppm , or specify
Operating Temperature Range	-10 ~ + 70 °C , - 5 ~ + 85 °C , or specify
Storage Temperature Range	- 55 ~ + 125 °C
Voltage Vol(Min.) / Voh (Max.)	0.9 V / 1.6 V
Rise ( Tr ) / Fall ( Tf ) Time ( 20 % ~ 80 % )	1 nS Max.
Supply Current	80 mA Max.
Symmetry	45 ~ 55 %
Start-up Time	10 mS Max.
Phase Jitter ( 12 KHz ~ 20 MHz )	1 pS Max.

\* Inclusive of frequency tolerance at 25 °C, variation over temperature, supply voltage variation, aging and vibration.

## Dimensions

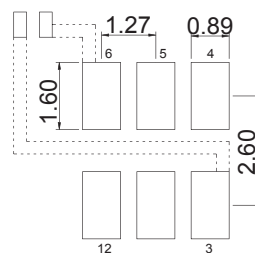


※ Pad dimension tolerance ±0.2 mm

### Pin Function:

1. Enable Control or NC
2. Enable Control or NC
3. GND
4. OUT
5. OUTN
6. VDD

### Land Pattern:



※ Power Supply Decoupling Capacitor is Required.

※ Pad dimension tolerance ±0.2 mm

Units: mm

Remark : Specification subject to change without prior notice. Please confirm with our sales. <http://www.txccorp.com>