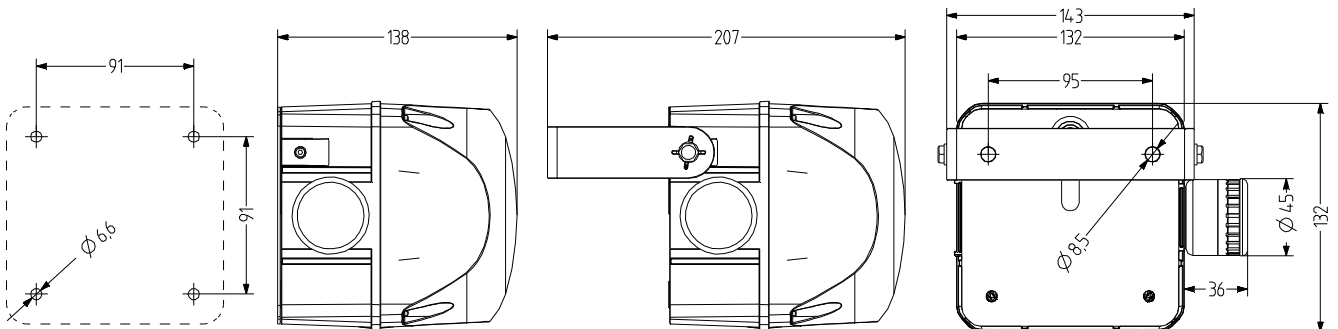


QSM LED steady/flashing beacon with buzzer indicator

- 132 mm cubic-design LED steady/flashing beacon with built-in buzzer indicator
- Max. 100 dB (A) sound pressure, infinitely adjustable
- High degree of protection IP 65 & impact resistance IK09
- UV-stabilised material
- Steady and flashing light, can be switched externally
- Beacon with good frontal/lateral signalling effect
- 60 cd luminous intensity
- For industrial and general applications



Internal diffuser and special lens pattern for optimal 360° signalling effect



TECHNICAL DATA

Housing	132 mm (square), Polycarbonate red, piezo buzzer black
Lens	Polycarbonate, ribbed inside orange, red, clear, blue, green or yellow
Type of mounting	any, any
Connection technology	Screw/plug-in terminal up to 2,5 mm ²
Beacon type	Steady beacon or Flashing beacon
Light source	4 High Power LEDs
Luminous intensity	60 Cd
Strobe/flash frequency	1,4 Hz

Tone	2 Tones, 2 Tones can be switched externally, Steady tone or Pulsing tone
Volume	85-100 dB (can be adjusted with potentiometer)
Tone frequency	3.300 Hz
Duty cycle	100 %
Service life	Light source: 50.000 h
Operating temperature	-30 °C / +60 °C
Degree of protection	IP65
Impact resistance	IK09
Weight	450 g



QSM

ORDER DATA

Lens colour	Nominal voltage	Voltage range (V)	Nominal current (A)	Order number
orange	24 V AC/DC	+/- 10 %	0,519	876 261 405
	110-120 V AC	+/- 10 %	0,142	876 261 310
	230-240 V AC	+/- 10 %	0,142	876 261 313
red	24 V AC/DC	+/- 10 %	0,519	876 262 405
	110-120 V AC	+/- 10 %	0,142	876 262 310
	230-240 V AC	+/- 10 %	0,142	876 262 313
clear	24 V AC/DC	+/- 10 %	0,519	876 264 405
	110-120 V AC	+/- 10 %	0,142	876 264 310
	230-240 V AC	+/- 10 %	0,142	876 264 313
blue	24 V AC/DC	+/- 10 %	0,519	876 265 405
	110-120 V AC	+/- 10 %	0,142	876 265 310
	230-240 V AC	+/- 10 %	0,142	876 265 313
green	24 V AC/DC	+/- 10 %	0,519	876 266 405
	110-120 V AC	+/- 10 %	0,142	876 266 310
	230-240 V AC	+/- 10 %	0,142	876 266 313
yellow	24 V AC/DC	+/- 10 %	0,519	876 267 405
	110-120 V AC	+/- 10 %	0,142	876 267 310
	230-240 V AC	+/- 10 %	0,142	876 267 313



AMK



AB2



AG2



AKV

ACCESSORIES

Type	Type of accessory	Weight	Order number
AMK	Mounting set for combining several pieces of signalling equipment of the same size	10 g	874 010 900
AB2	Mounting set for metal bracket for mounting in any direction (e.g. on mounting platforms)		874 032 900
AG2	Flat seal for installation on smooth surfaces		874 022 900
AKV	Cable gland M20x1,5		698 800 026

TONE TABLE

Tone on terminal

La	N	Lb	
X	X		pulsing tone
	X	X	wobble tone
X	X	X	continuous tone



Electronic