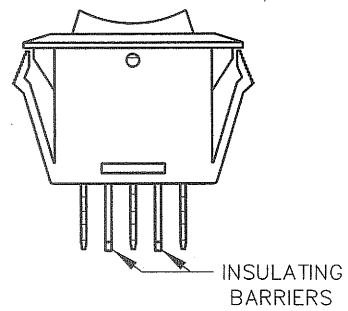
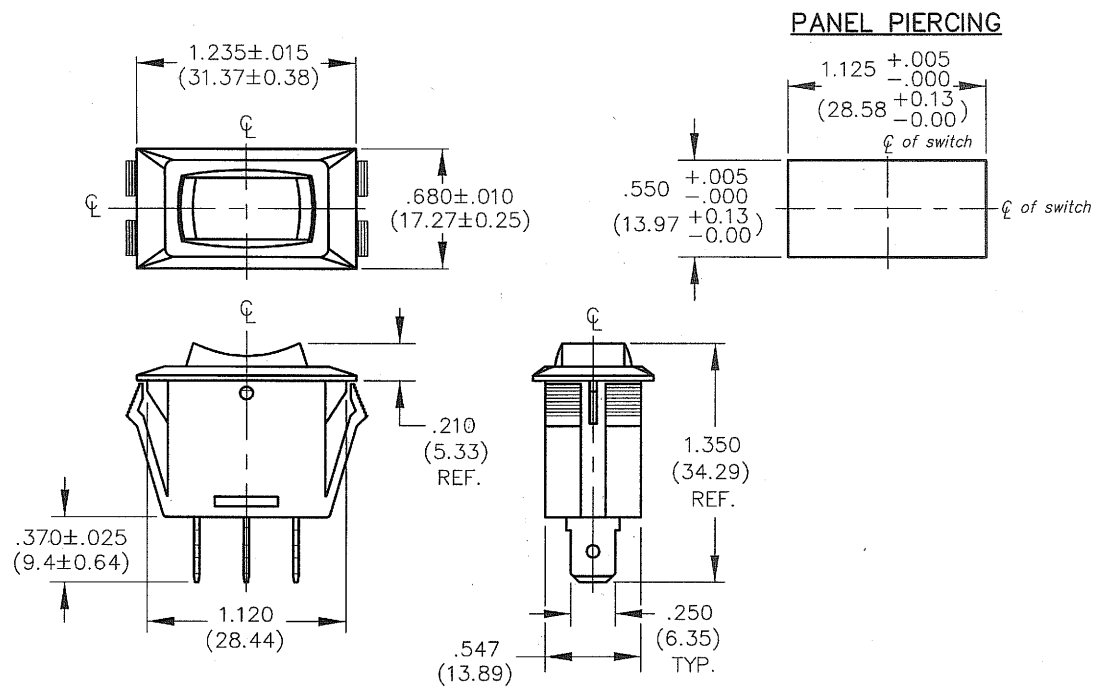


F
 D
 C
 B
 A

DIMENSIONS IN INCHES (MILLIMETERS)
 DO NOT SCALE DRAWING
 Dwg. No. **GRS-2013C-XXXX**

PANEL THICKNESS
 .025" to .180"
 (0.64mm to 4.57mm)

OPTIONAL BARRIERS:



1 2 3 4 5 6 7 8 9 10

B-FORMAT 2002	REVISIONS	0
RELEASED: 08-28-2010	DWG	08-12-2010

PDF FILE MADE	GW INDUSTRIES Southampton, Pa. 18966	Title: CENTER OFF ROCKER SWITCH WITH OPTIONS
	TOLERANCES UNLESS OTHERWISE SPECIFIED	S.P.D.T. (MOM-OFF-MOM)
	2 Place Decimal ±.010 METRIC 3 Place Decimal ±.005 1 Place Dec. ±.25mm Angles ±1' 2 Place Dec. ±.13mm	1.125 x .550 PANEL
	Made for: CW IND.	Division: SWITCH
Drawn by: DGW 7-28-2010	Checked by: <i>G. Guld 8-16-10</i>	Dwg. No. GRS-2013C-XXXX
Approval: <i>Edward R. ... 8-18-10</i>		

MASTER