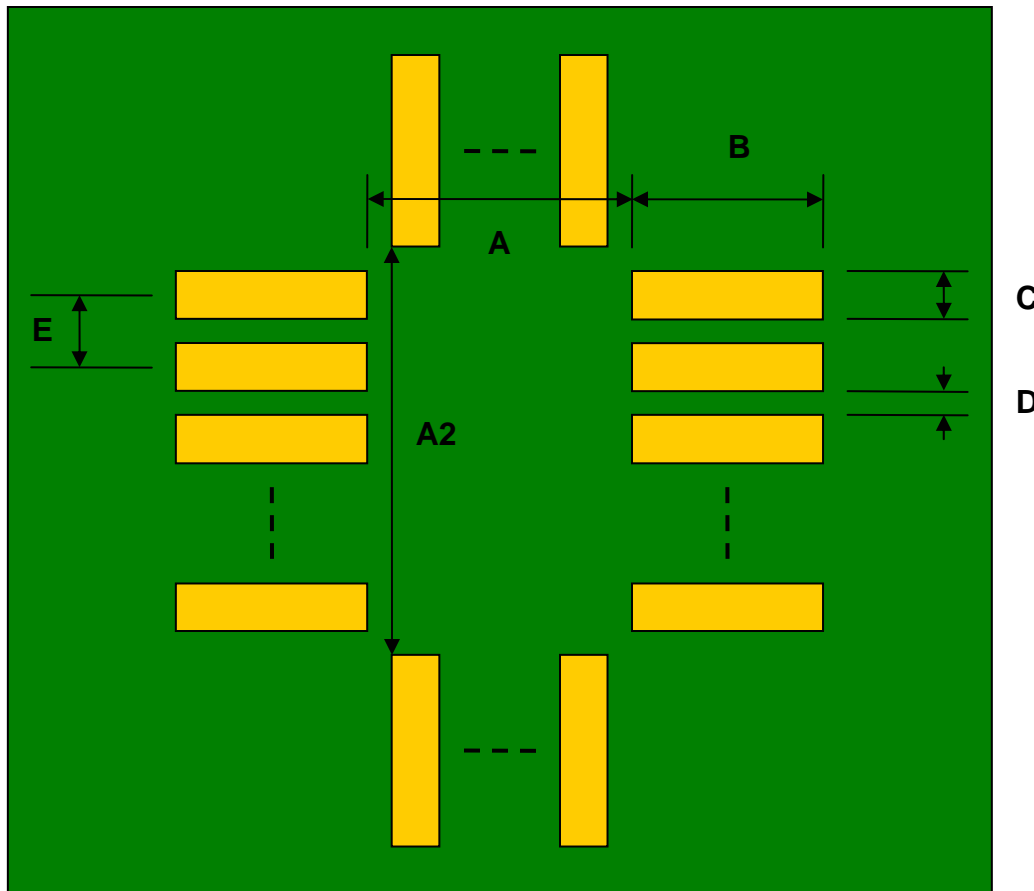


PQFP-208/QFP-208/RQFP-208 to PGA-208 SMT Adapter (0.5 mm pitch, 28 x 28 mm body)

REF.	DIMENSIONS					
	mm			inches		
	MIN.	TYP.	MAX.	MIN.	TYP.	MAX.
A		27.00				
A2		27.00				
B		3.00				
C		0.30				
D		0.20				
E		0.50				

Top View (SMT Footprint)



(Representative drawing only - not to scale)