

NOTES:

1 MATERIAL:

1-1 TERMINAL : BERYLLIUM COPPER, THICKNESS 0.20MM

1-2 HOUSING : HIGH TEMPERATURE THERMAL PLASTIC

1-3 FITTING NAIL: BRASS, THICKNESS 0.20MM

2 FINISH: 2-1 TERMINAL :

50~200μ^m NICKEL UNDER PLATED

30μ^m MIN GOLD PLATING ON CONTACT AREA

3μ^m MIN GOLD FLASH ON SOLDERING AREA

2-2 FITTING NAIL :

50~200μ^m NICKEL UNDER PLATED

100~200μ^m TIN PLATED ON SOLDERING AREA

3 MECHANICAL SPECIFICATION

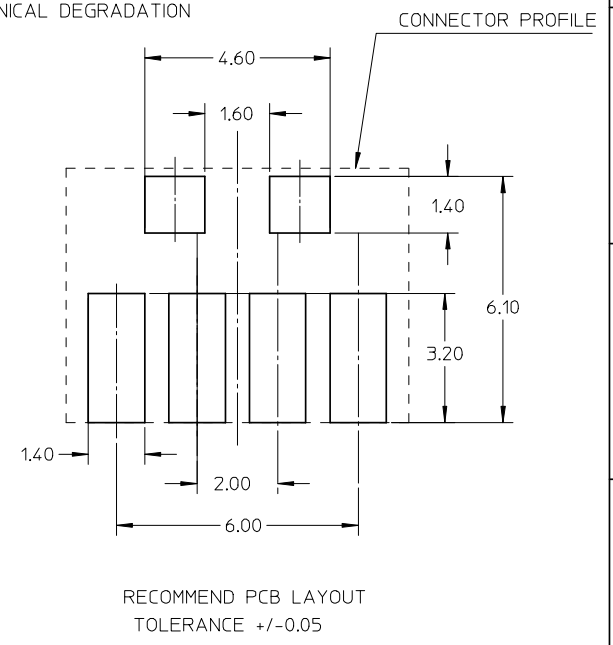
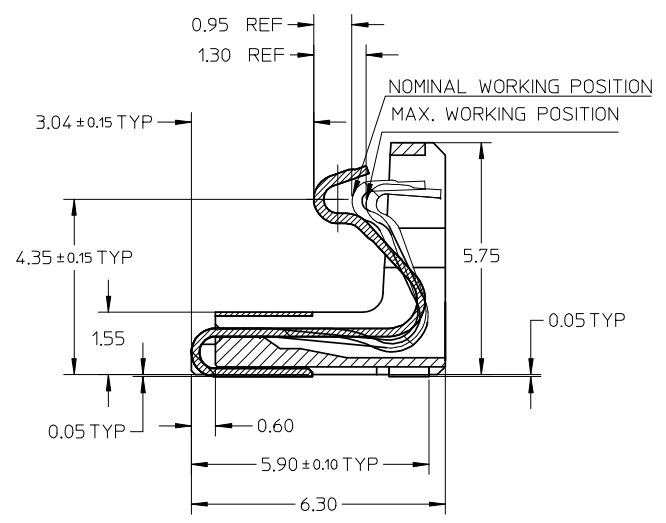
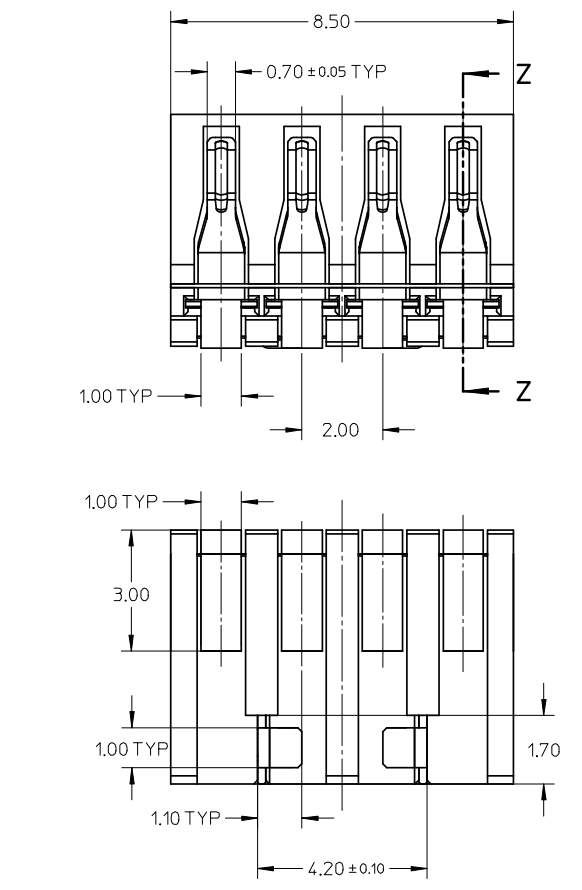
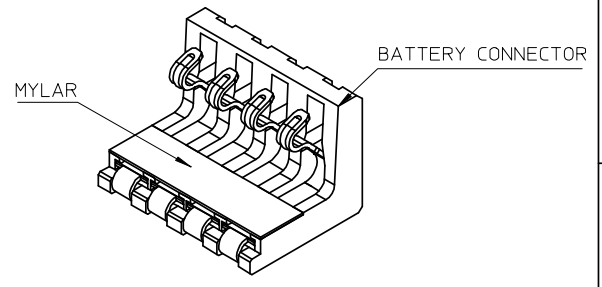
NORMAL FORCE: 75g MIN. AT 0.65mm DEFLECTION.

135±25g AT NOMINAL WORKING POSITION.

200g MAX. AT 1.25mm DEFLECTION.

MATING CYCLES : 10,000 TIMES WITHOUT ELECTRICAL OR MECHANICAL DEGRADATION

4. COMPLIANT TO RoHS DIRECTIVE 2002/95/EC AND ELV 2000/53/EC



SECTION Z-Z

RELEASED EC NO: SH2008-0435 DRWN: MSH CHKD: YLZHU APPR: HWANG 2008/04/09 2008/04/11 2008/04/14	QUALITY SYMBOLS	GENERAL TOLERANCES (UNLESS SPECIFIED)		DIMENSION STYLE		SCALE	DESIGN UNITS	THIRD ANGLE PROJECTION	
	▽=0	mm	INCH	MM ONLY		10:1	METRIC	◎ □	
	∠=0	4 PLACES ± --- ± ---	3 PLACES ± --- ± ---	DRAWN BY	DATE	TITLE			
		2 PLACES ± 0.10 ± ---	1 PLACE ± 0.15 ± ---	MSH1	2007/01/11	2.0 MM PITCH 4 PINS BATTERY CONN SALES DRAWING			
	ANGULAR ± 3 °	DRAFT WHERE APPLICABLE MUST REMAIN WITHIN DIMENSIONS		CHECKED BY	DATE	MOLEX INCORPORATED			
				APPROVED BY	DATE	DOCUMENT NO.		SHEET NO.	
				HWANG	2008/2/28	475750001		SD-47575-001	
				THIS DRAWING CONTAINS INFORMATION THAT IS PROPRIETARY TO MOLEX INCORPORATED AND SHOULD NOT BE USED WITHOUT WRITTEN PERMISSION					