

FCPL COUPLINGS

Dynapar™ brand

Flexible Shaft Couplings

Key Features

- Provides Electrical Isolation and Maximum Mechanical Protection of Encoder Shaft Connections
- Clamp Attachment - No Set Screws to Scour or Pit Shafts
- Three-Beam Helical Design Restricts Torque “Windup”
- Full Range of Models with Shaft Adapters Provide Integration Flexibility for Wide Range of Encoders



SPECIFICATIONS

STANDARD CHARACTERISTICS:

Material: 7075-T651 Aluminum with Bright Finish

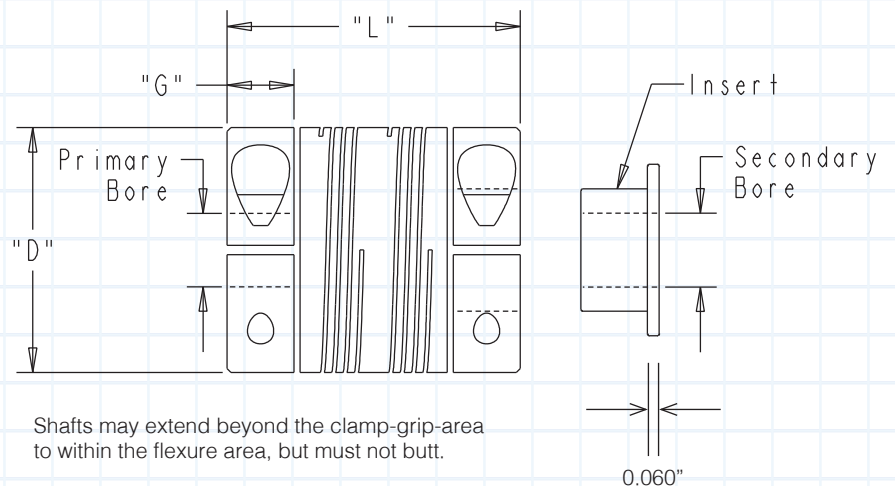
Insert/insulator: G10 glass filled phenolic. Sizes provided per *Models table, Secondary Bore.*

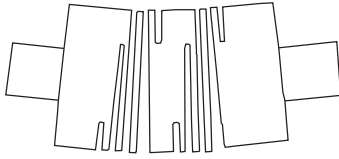
Clamps: Integral at each end with hex socket cap screws.

Peak Torque: Per *Models table, Peak Torque.* Safety factor should be determined considering acceleration and deceleration loads, etc.

DIMENSIONS

Refer to Models Table for dimensions of specific models.

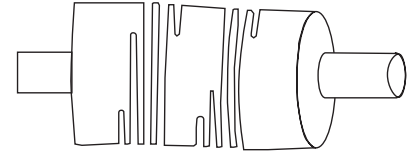




Angular Misalignment

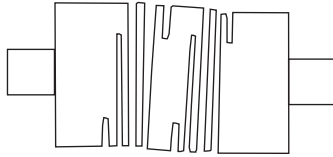
When the center lines of the shafts extend and form an obtuse angle. The intersection of this obtuse angle should be at the center of the flexible beam area.

Proper shaft coupling protects precision encoders from all of these common hazards. Use of a well engineered coupling can save many times its cost by eliminating failures due to excessive shaft loading, electrical leakage, and thermal stress.



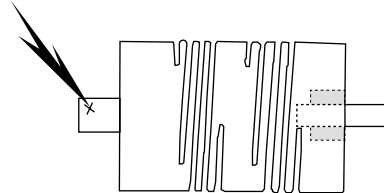
Skewed Misalignment

The shafts are not in the same plane. Center line extension is not parallel or intersecting. There can be two obtuse angles of varying degrees. These angles should be centered within the coupling.



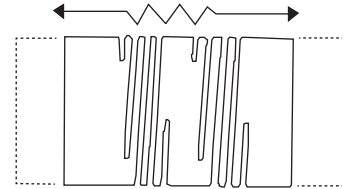
Parallel Misalignment

The shaft's center lines are parallel but offset. When the coupling is installed there should be two equal obtuse angles within the coupling.



Electrical and Thermal Stress

The supplied insulator insert blocks transfer of static charges, leakage currents, and heat to the encoder. These stresses have been proven to be contributory to bearing damage as well as electrical failures.



Axial Motion

Motion in the direction of the center lines of the shafts, such as motor shaft "thrust". Usually created by loose bearings or other elements that do not restrain the motion.

Ordering Information

Most applications will use the Primary Bore as the encoder end, but it is permissible to reverse the coupling to accommodate specific shaft combinations. Each coupling is supplied with Secondary Bore insulator inserts as listed.

Model Number	Primary Bore	Secondary Bore	Dimensions (in.)			Maximum Misalignment			Peak Torque (lb-in.)			Clamp Screw
			D = Diameter	L = Length	G = Grip	Angular	Parallel	Axial	Static	Dynamic Non-Reversing	Dynamic Reversing	
FCPL00750125	1/8"	1/8, 3/16"	0.750	0.900	0.230	3°	0.008	0.005	16	8	4.5	M2.5
FCPL00750250	1/4"	1/8, 1/4"	0.750	0.900	0.230	3°	0.008	0.005	16	8	4.5	M2.5
FCPL01000250	1/4"	1/4, 3/8"	1.000	1.250	0.325	3°	0.015	0.010	36	18	9	M4
FCPL01000375	3/8"	3/16, 3/8"	1.000	1.250	0.325	3°	0.015	0.010	36	18	9	M4
FCPL01250250	1/4"	1/4, 3/8"	1.250	1.500	0.343	3°	0.015	0.010	52	26	13	M4
FCPL01250375	3/8"	3/8, 1/2"	1.250	1.500	0.343	3°	0.015	0.010	52	26	13	M4
FCPL01250500	1/2"	1/4, 1/2"	1.250	1.500	0.343	3°	0.015	0.010	52	26	13	M4
FCPL01500375	3/8"	3/8, 1/2"	1.500	2.250	0.500	3°	0.030	0.015	80	40	20	M5 ⁴
FCPL01500500	1/2"	1/2, 5/8"	1.500	2.250	0.500	3°	0.030	0.015	80	40	20	M5 ⁴
FCPL01500625	5/8"	3/8, 5/8"	1.500	2.250	0.500	3°	0.030	0.015	80	40	20	M5 ⁴
FCPL02000875	7/8"	3/8, 5/8"	2.000	2.000	0.450	3°	0.040	0.060	300	150	75	M5
FCPL02001000	1"	3/8, 5/8"	2.000	2.000	0.450	3°	0.040	0.060	300	150	75	M5
FCPL02001125	1-1/8"	3/8, 5/8"	2.000	2.000	0.450	3°	0.040	0.060	300	150	75	M5
FCPLM1000250	1/4"	4, 5, 6 mm	1.000	1.250	0.325	3°	0.015	0.010	36	18	9	M4
FCPLM1250375	3/8"	6, 8, 10 mm	1.250	1.500	0.343	3°	0.015	0.010	52	26	13	M4
FCPLM1500500	1/2"	6, 8, 10 mm	1.500	2.250	0.500	3°	0.030	0.015	80	40	20	M5 ⁴
FCPLM12506MM	6 mm	4, 5, 6 mm	1.250	1.500	0.343	3°	0.015	0.010	34	17	8.5	M4
FCPLM100010MM	10 mm	6, 8, 10 mm	1.000	1.000	0.250	3°	0.015	0.010	36	18	9	M2.5

- NOTE:
1. For extremely high acceleration rates, consider using the next larger coupling size.
 2. When coupling an encoder to a shaft which is stepped down from a larger size, always use a larger heavier duty coupling.
 3. For maximum life, encoders must be installed and aligned such that the encoder shaft to driving shaft alignment is within the 0.003" TIR NEMA standard despite the maximum misalignment specified.
 4. These specific models have thread locking clamp screws. Tightening of screw for these will require more torque versus non-thread locking screw models.



Headquarters: 1675 Delany Road • Gurnee, IL 60031-1282 • USA

Customer Service:
Tel.: +1.800.873.8731
Fax: +1.847.662.4150
custserv@dynapar.com

Technical Support
Tel.: +1.800.234.8731
Fax: +1.847.662.4150
dynapar.techsupport@dynapar.com

European Sales Representative
Hengstler GmbH
Uhlandstrasse 49, 78554 Aldingen
Germany
www.hengstler.de