

NOTES: UNLESS OTHERWISE SPECIFIED

1. CONSTRUCTION:
HOUSING & PLUNGER: MOLDED NYLON TYPE 6,6.
AVAILABLE IN TEN COLORS.

CONTACT BLADE: BERYLLIUM COPPER PER QQ-C-533. GOLD PLATED PER MIL-G-45204 B TYPE 1 0.00001" [0.000254] THICK MINIMUM.

SPRING: STAINLESS STEEL TYPE 302.

2. PERFORMANCE:

MAXIMUM CURRENT: 5.9 AMPS WITH A 77° TEMPERATURE RISE.

MAXIMUM VOLTAGE: 5.4 KV

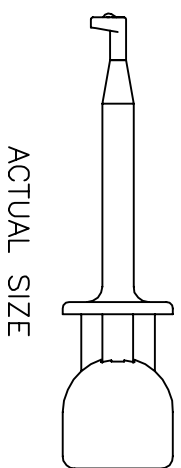
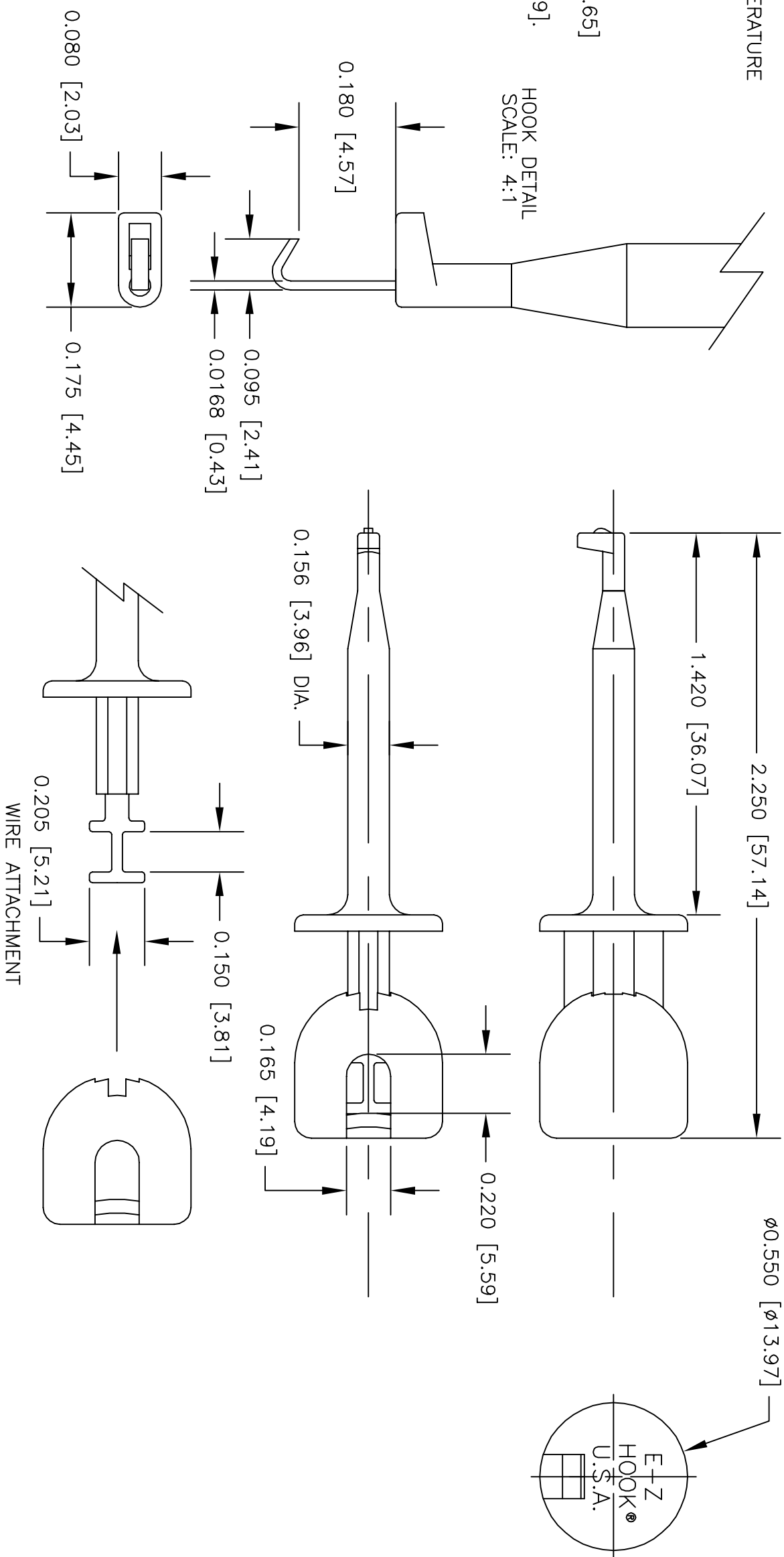
MAXIMUM TEMPERATURE: 200°F (93°C)

3. FEATURES:

HOOK FITS COMPONENTS UP TO 0.040" [1.01].

TIP HAS BEEN EXTENDED TO PROVIDE 0.065" [1.65] X 0.040" [1.01] HOLE.

LEAD EXIT HOLE INCREASED TO FIT Ø0.165" [4.19].
FIELD SERVICEABLE.



ACTUAL SIZE

		UNLESS OTHERWISE SPECIFIED DIMENSIONS ARE IN INCHES TOLERANCES ARE: FRACTIONS DECIMALS ANGLES ± .XX ± .XXX ±		CONTRACT NO.	
		MATERIAL SEE NOTE.		APPROVALS	
		FINISH SEE NOTE.		DATE	
		APPLICATION		DRAWN	
		DO NOT SCALE DRAWING		R.L.	
		NEXT ASSY		7/09	
		USED ON		APPROVED BY	
		DESCRIPTION		E-Z-MINI-HOOK FOR HEAVY LEAD WITH RECT. HOLE	
		SIZE		CODE IDENT NO.	
		B		08505	
		SCALE		DRAWING NO.	
		2:1		X100W2A	
		SHEET 1 OF 1		REV.	

EZ-HOOK DIVISION OF TEKTEST INC.
ARCADIA, CA 91006 U.S.A.