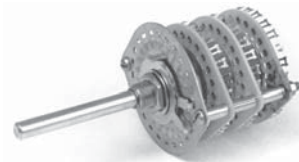


D9 - SERIES

SPECIFICATIONS AND ORDERING INFORMATION

2 5/16" DIAMETER 1.5 AMPS @ 28 VDC

The D9 Series has a 15° index with a maximum of 24 positions. Indexing is provided by a dual-ball hill and valley design. Standard features include solder lug terminals, adjustable stops and glass epoxy insulation.



SPECIFICATIONS

ELECTRICAL

Current and Voltage Rating: Make and break resistive load 1.5 amps @ 28 VDC; 0.25 amp @ 115 VAC.
Current Carrying Capacity: 9 amps.
Dielectric Strength: 1,000 VAC between current carrying parts and ground.
Contact Resistance: Average initial 5 milliohms.
Insulation Resistance: In excess of 750,000 megohms.

Hardware: Mounting nut and lockwasher are shipped assembled.

MECHANICAL

Materials and Finishes: All parts utilize non-corrosive materials as standard.
Clips and Rotors: Brass with silver plate as standard.
Insulation: Glass epoxy.
Index: Dual-ball, hill and valley design.
Index Life: 25,000 cycles minimum.
Index Torque: Switches have lowest practical torque consistent with crisp detenting and smooth, reliable operation.
Index Angles: Positive 15° standard.
Index Stops: Adjustable standard, fixed or continuous.
Stop Strength: 25 in. lbs. minimum.

STANDARD PART NUMBER

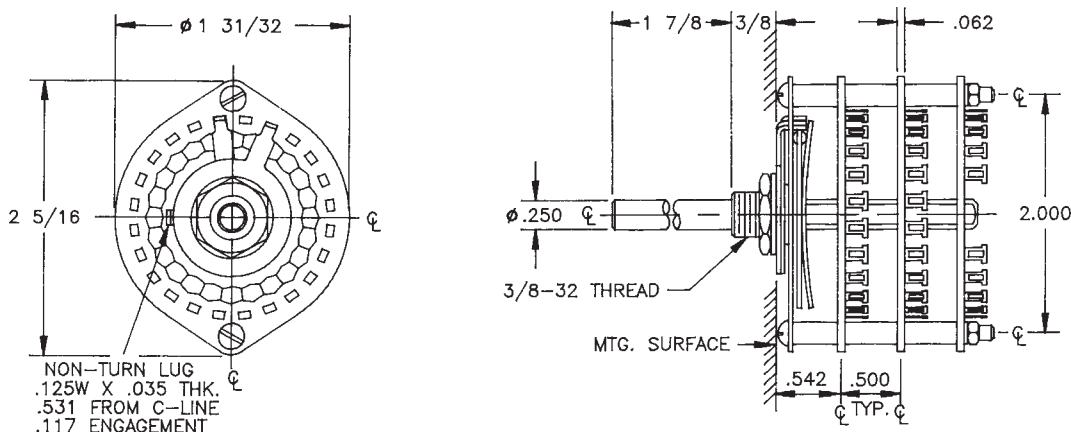
GLASS EPOXY INSULATION SWITCHES - 15° INDEXING
 ADJUSTABLE STOPS - SOLDER LUG TERMINALS - STOPS SET @ 2 POS.

| POLES | ACTIVE POSITIONS | POLES/ SECTION | NO. OF SECTIONS | SHORTING | NON-SHORTING | FIG. * |
|-------|------------------|----------------|-----------------|----------|--------------|--------|
| 01 | 02-23 | 1 | 1 | D9G0123S | D9G0123N | DU |
| 02 | 02-23 | 1 | 2 | D9G0223S | D9G0223N | DU |
| 03 | 02-23 | 1 | 3 | D9G0323S | D9G0323N | DU |
| 04 | 02-23 | 1 | 4 | D9G0423S | D9G0423N | DU |
| 05 | 02-23 | 1 | 5 | D9G0523S | D9G0523N | DU |
| 06 | 02-23 | 1 | 6 | D9G0623S | D9G0623N | DU |
| 07 | 02-23 | 1 | 7 | D9G0723S | D9G0723N | DU |
| 08 | 02-23 | 1 | 8 | D9G0823S | D9G0823N | DU |

* FIGURES ARE SHOWN ON PAGE 57.

DIMENSIONS

STANDARD CONSTRUCTION
 D9G - GLASS EPOXY CONSTRUCTION



2010 Yonkers Road
 Raleigh, NC 27604

How to Order Additional Options:

| 2 DIGIT SERIES | INSULATION TYPE | TOTAL POLES | ACTIVE POSITIONS | CONTACT TYPE | TERMINAL TYPE | INDEX ANGLE | STOP TYPE | SHAFT/ BUSHING | SHAFT FLAT |
|----------------|-----------------|-------------|------------------|----------------------------------|---------------------------------|-------------|------------------------------------|----------------|---------------|
| D9 | G - GLASS | 01 - MIN. | 24 - MAX @ 15° | S - SHORTING N - NON SHORTING | L - SOLDER LUG R - REAR P.C. | | A - ADJ. F - FIXED C - CONT. | SEE CHART "A" | SEE CHART "B" |

| CUSTOMERS SPECIFIED ORDER NUMBER FOR STANDARD OPTIONS | | | | | ADDITIONAL OPTIONS | | | | |
|---|----------|----------|----------------------|----------------------|--------------------------|--------------------------|--------------------------|--------------------------|--------------------------|
| D | 9 | G | <input type="text"/> | <input type="text"/> | <input type="checkbox"/> | <input type="checkbox"/> | <input type="checkbox"/> | <input type="checkbox"/> | <input type="checkbox"/> |
| | | | (SPECIFY) | (SPECIFY) | (SPECIFY) | (SPECIFY) | (SPECIFY) | (SPECIFY) | (SPECIFY) |

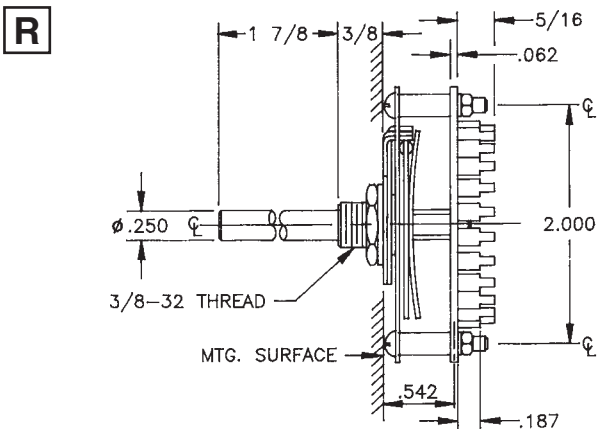
SHAFT, BUSHING, AND FLAT OPTIONS

| P/N OPT. | SHAFT LGTH. "A" | BUSH. LGTH. "B" |
|----------|-----------------|-----------------|
| 01 | 3/8 | 1/4 |
| 02 | 3/8 | 3/8 |
| 03 | 1/2 | 1/4 |
| 04 | 1/2 | 3/8 |
| 05 | 9/16 | 1/4 |
| 06 | 9/16 | 3/8 |
| 07 | 3/4 | 1/4 |
| 08 | 3/4 | 3/8 |
| 09 | 1 | 1/4 |
| 10 | 1 | 3/8 |
| 11 | 1 1/2 | 1/4 |
| 12 | 1 1/2 | 3/8 |
| 13 | 1 7/8 | 1/4 |
| 14 | 1 7/8 | 3/8 |

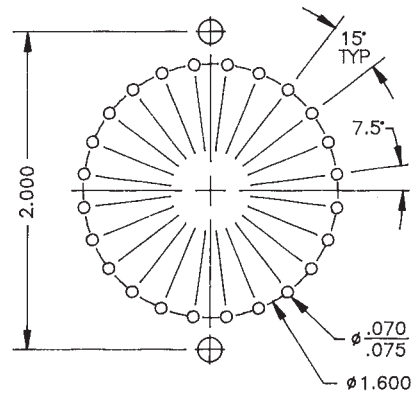
| P/N OPT. | FLAT ANGLE |
|----------|-------------|
| B | ROUND - STD |
| U | 7.5° |
| W | 172.5° |
| Y | 187.5° |
| Z | 352.5° |

SHAFT AS VIEWED WITH NON-TURN LUG AT 9 O'CLOCK AND SHAFT IN EXTREME CCW POSITION AND STRUT BOLTS ORIENTED VERTICALLY.

PRINTED CIRCUIT BOARD OPTIONS



P.C. BOARD MOUNTING PATTERN



CUSTOM SWITCHES ARE AVAILABLE. CONTACT THE FACTORY WITH YOUR COMPLETE SPECIFICATIONS.