

**MATERIALS AND FINISHES:**

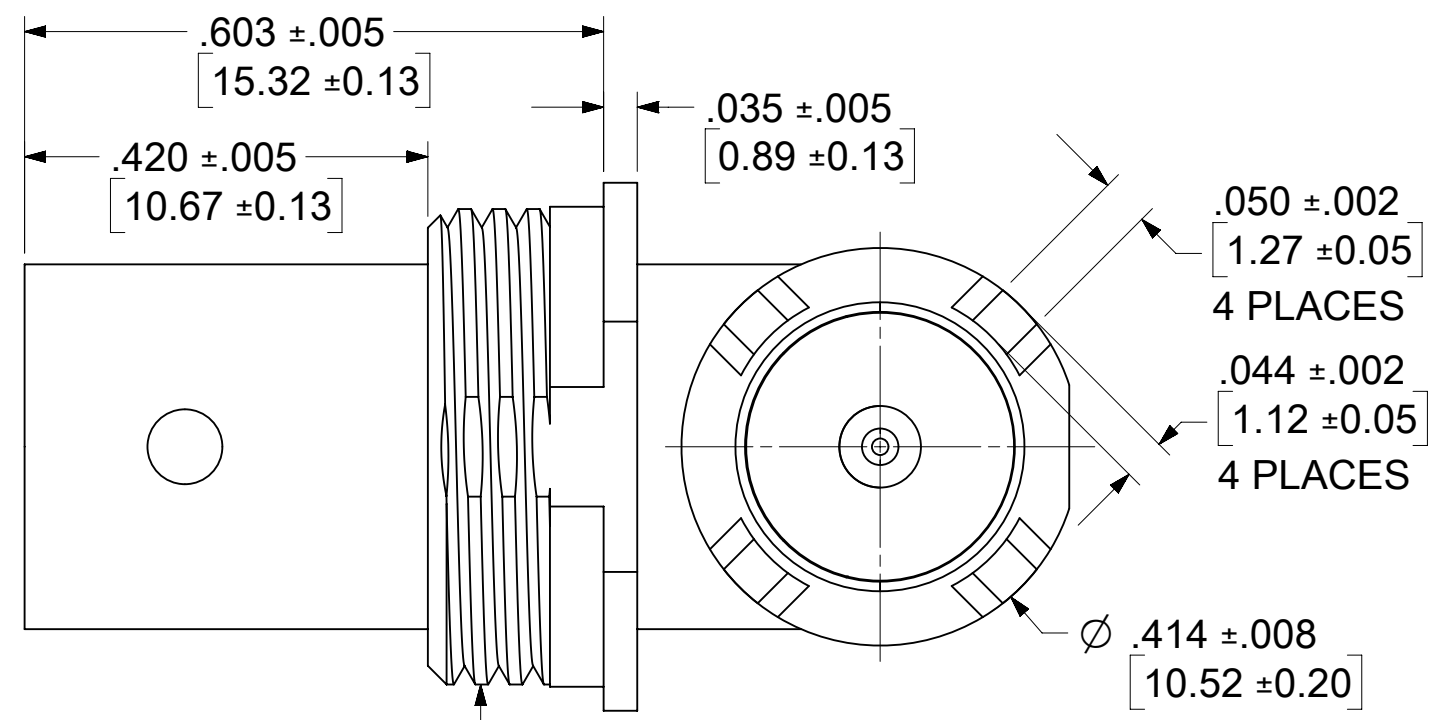
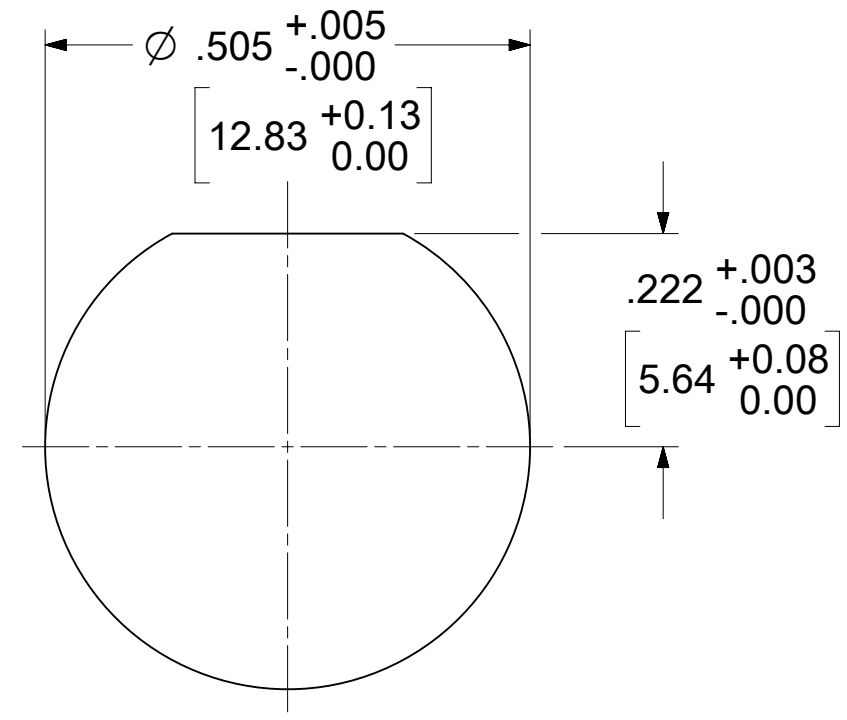
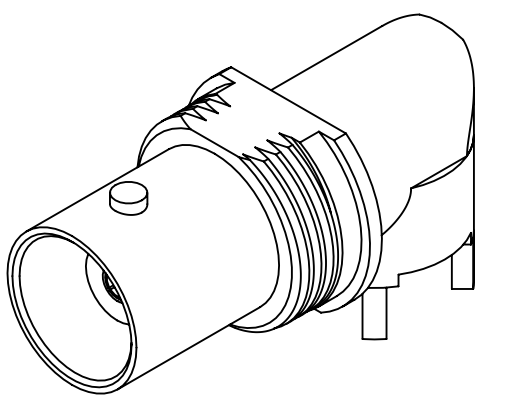
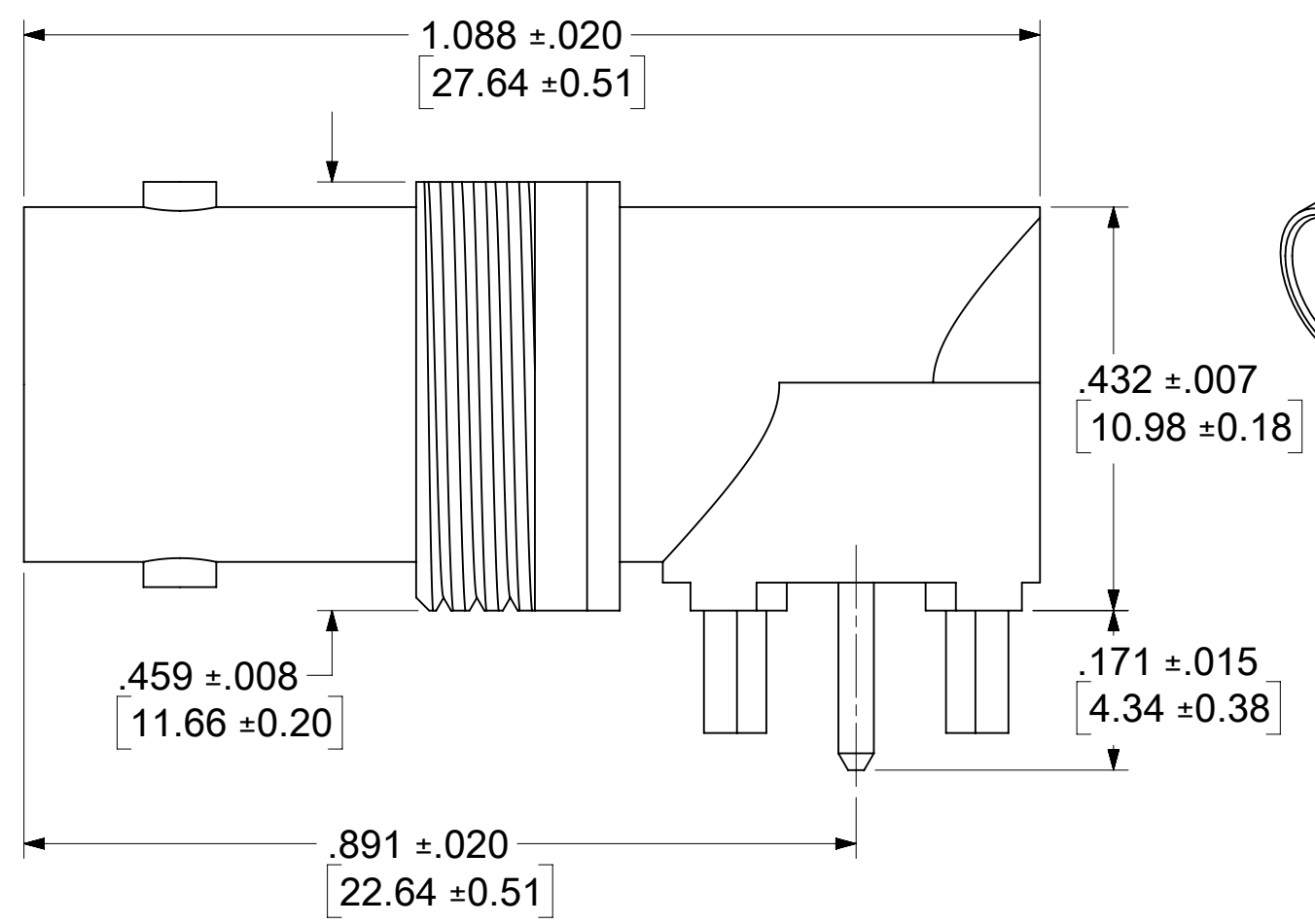
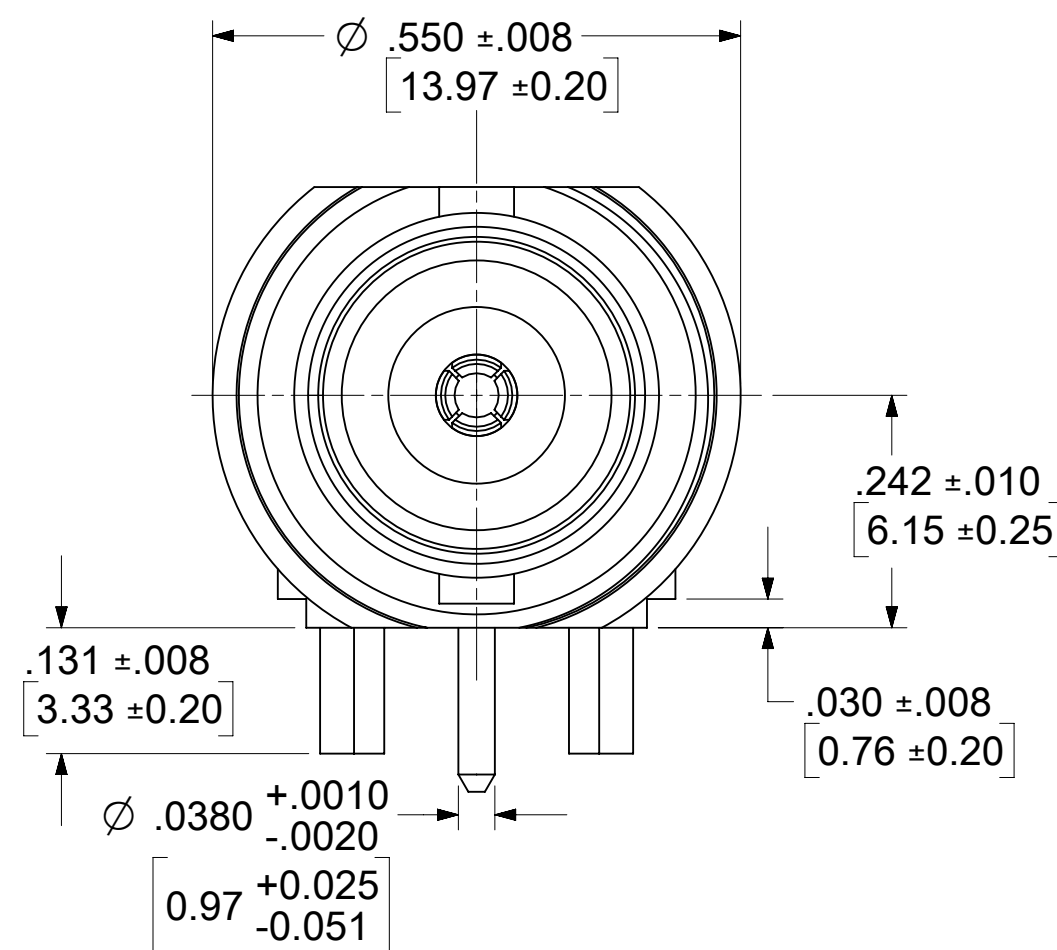
**BODY: ZINC ALLOY  
PLATED: SEE TABLE**

**CENTER CONTACT: PHOSPHOR BRONZE  
PLATED GOLD**

**INSULATOR: PTFE**

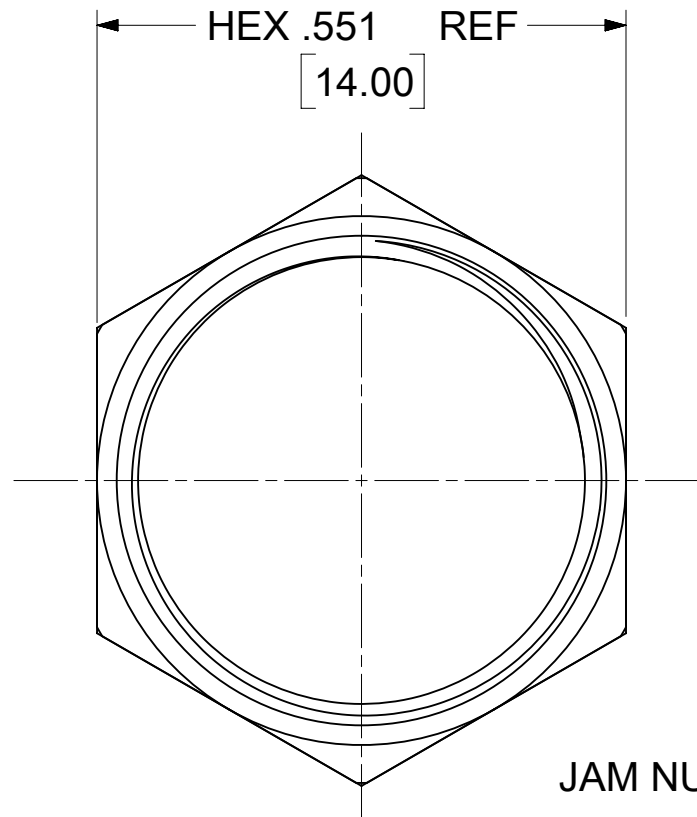
**JAM NUT: BRASS  
PLATED NICKEL**

**LOCK WASHER: PHOSPHOR BRONZE  
PLATED NICKEL**

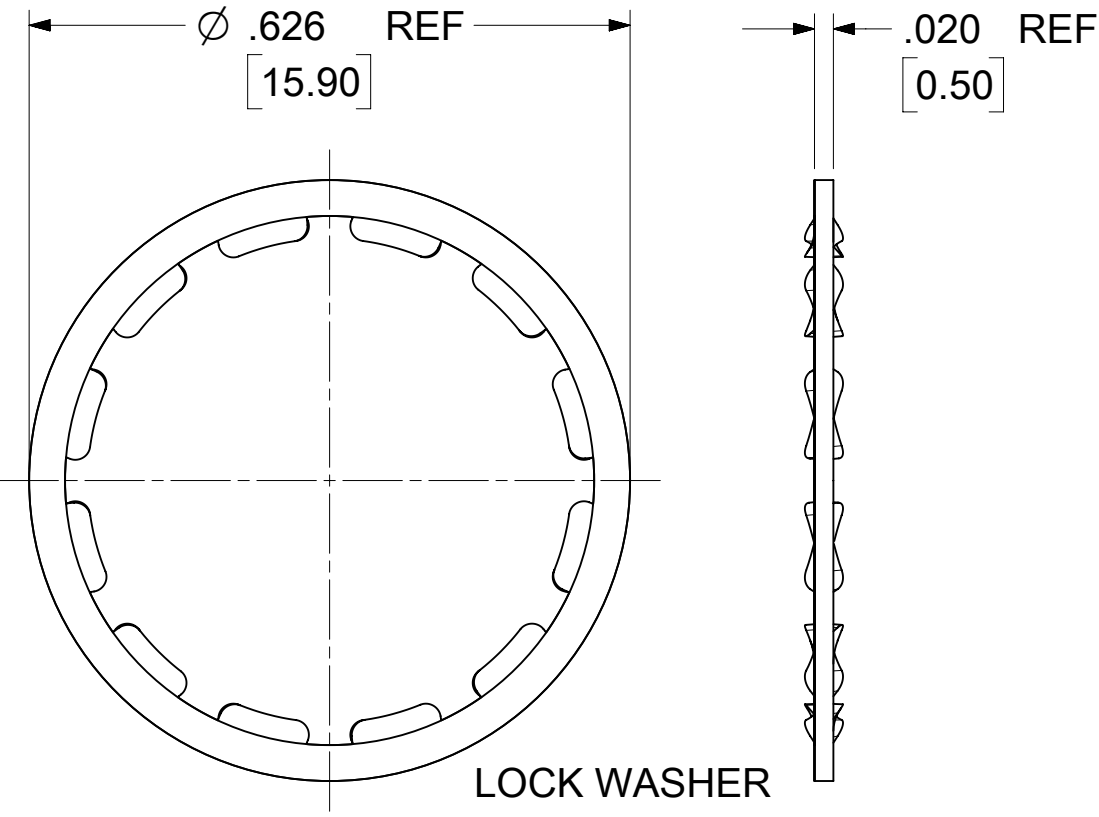


RECOMMENDED PANEL CUTOUT

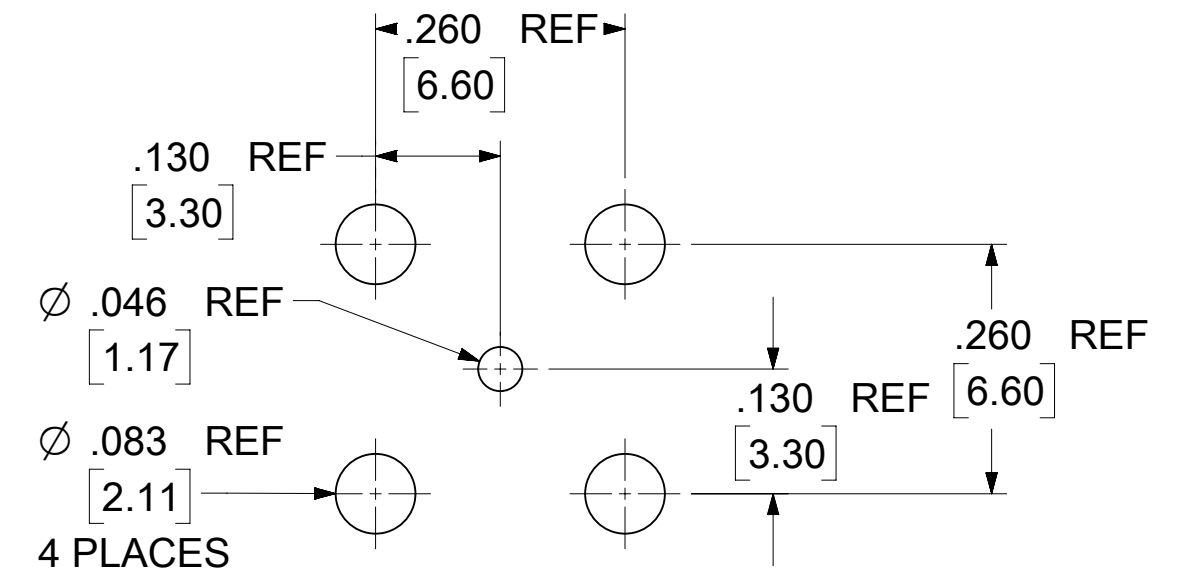
1/2-28 UNEF-2A



JAM NUT



LOCK WASHER



RECOMMENDED PCB HOLE PATTERN

73171-1362	INCLUDED	NICKEL	895420580
73171-1361	INCLUDED	TIN	895420580
73171-1360	NOT INCLUDED	TIN	895420590
PART NO.	WASHER/NUT	BODY PLATING	PACKING SPEC

PS-89675-1030	ELEC/MECH PERFORMANCE
MIL-STD-348A, FIG. 301.2	INTERFACE
SPECIFICATION	DESCRIPTION

DOCUMENT STATUS	P1	RELEASE DATE	2022/10/27 01:53:53
-----------------	----	--------------	---------------------

THIS DRAWING CONTAINS INFORMATION THAT IS PROPRIETARY TO MOLEX ELECTRONIC TECHNOLOGIES, LLC AND SHOULD NOT BE USED WITHOUT WRITTEN PERMISSION

DIMENSION UNITS <b>INCH/MM</b>	SCALE <b>NTS</b>	CURRENT REV DESC: ADD PACKING SPEC PER EWR #15500-A	<b>molex</b>		
GENERAL TOLERANCES (UNLESS SPECIFIED)	ANGULAR TOL ± 2.0°	EC NO: 651531			
4 PLACES ±	3 PLACES ±	2 PLACES ±	DRWN: RYEH	2022/10/21	BNC JACK, R/A, PCB 50 OHMS, BULKHEAD BNC-J/PCB
1 PLACE ±	0 PLACES ±	DRWN: AROBERTSON	2022/10/27	2022/10/27	
DRAFT WHERE APPLICABLE MUST REMAIN WITHIN DIMENSIONS			THIRD ANGLE PROJECTION	DRAWING <b>C-SIZE</b>	SERIES <b>73171</b>
PRODUCT CUSTOMER DRAWING		DOCUMENT NUMBER <b>SD-73171-136</b>	DOC TYPE <b>PSD</b>	DOC PART <b>001</b>	REVISION <b>C9</b>
MATERIAL NUMBER SEE TABLE		CUSTOMER GENERAL MARKET	SHEET NUMBER 1 OF 1		