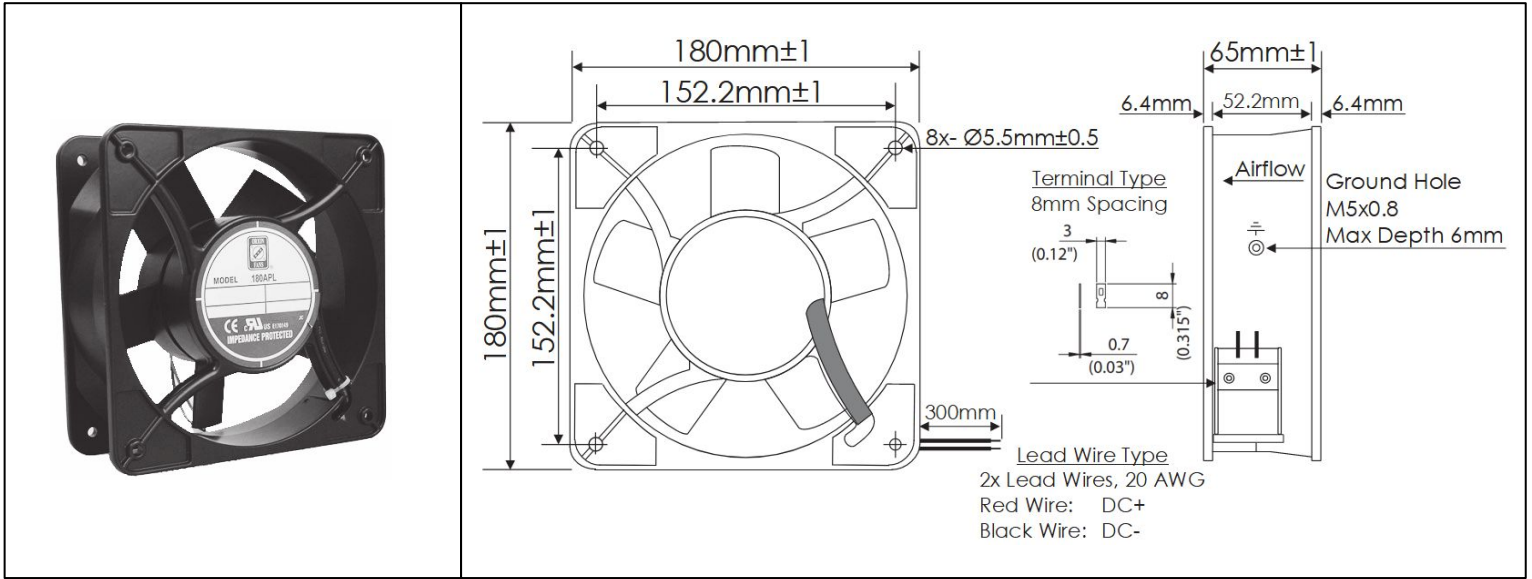


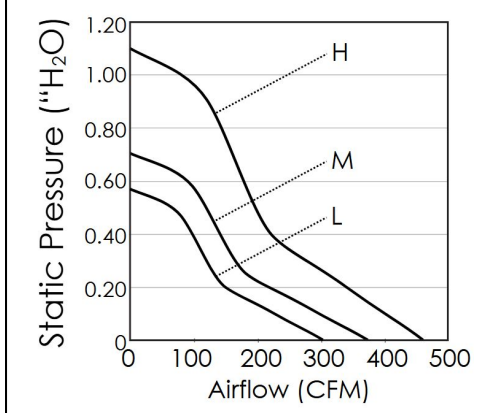
# OD180APL Series



DC Fans - 12, 24, 48V  
180mm x 180mm x 65mm (7" x 2.5")



<b>Frame</b>	Die Cast Aluminum, Black Finish	<b>Operating Temperature</b> -20°C ~ +65°C
<b>Impeller</b>	PBT, UL94 V-0 Plastic	
<b>Connection</b>	2x Wire Leads, 20 AWG, or Terminals	<b>Storage Temperature</b> -20°C ~ +75°C
<b>Motor</b>	Brushless DC, Auto Cutoff, Auto Restart, Electronically Protected, Polarity Protected	
<b>Bearing System</b>	Ball Bearings	<b>Life Expectancy</b> 60,000 Hours (L10 at 40°C)
<b>Dielectric Strength</b>	500VDC/min, <5mA	
<b>Insulation Resistance</b>	≥10M Ohm @ 500 VDC	<b>Available Options</b> PWM Speed Control Input Thermal Speed Control Tachometer Output Alarm Output IP Ratings
		<b>Weight:</b> 3.2 lbs



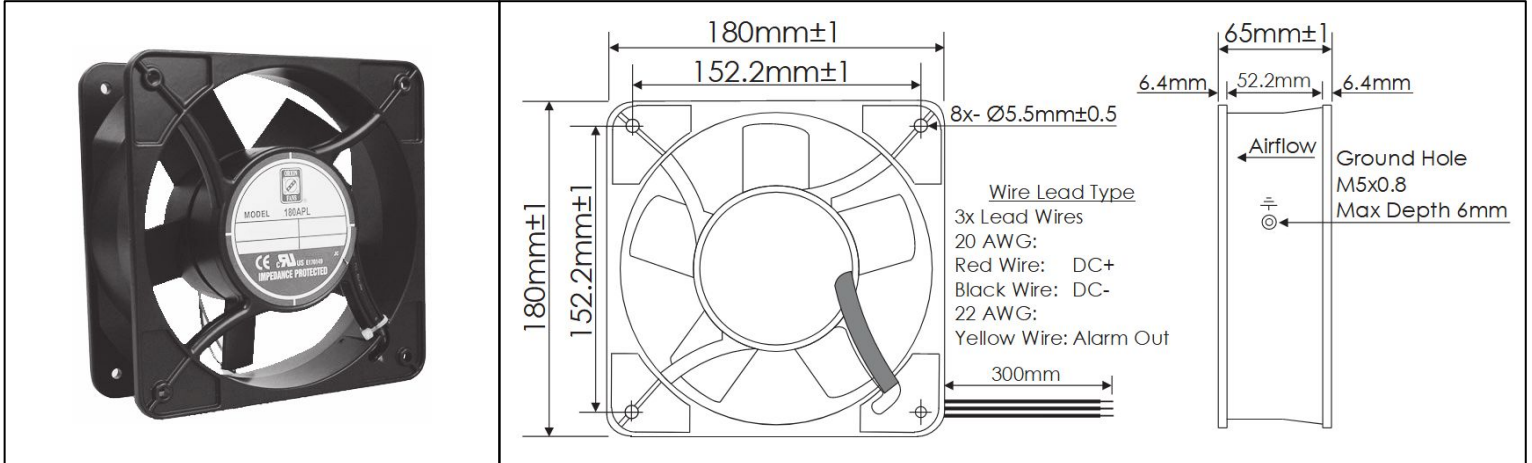
Part Number	Rated Voltage (Volts DC)	Voltage Range (Volts DC)	Rated Current (Amps)	Rated Power (Watts)	Rated Speed (RPM)	Max Airflow (CFM)	Noise Level (dBA)	Max Static Pressure ("H <sub>2</sub> O)
OD180APL-12H*B	12	9 ~ 13.8	4.20	50.4	3375	460	63.2	1.10
OD180APL-12M*B	12	9 ~ 13.8	1.90	23.5	2800	375	53.4	0.70
OD180APL-12L*B	12	9 ~ 13.8	1.50	19.0	2150	300	46.1	0.58
OD180APL-24H*B	24	20 ~ 26.4	2.50	60.2	3375	460	63.2	1.10
OD180APL-24M*B	24	20 ~ 26.4	1.15	28.3	2800	375	53.4	0.70
OD180APL-24L*B	24	20 ~ 26.4	0.62	15.6	2150	300	46.1	0.58
OD180APL-48H*B	48	28 ~ 52.0	1.03	50.2	3375	460	63.2	1.10
OD180APL-48M*B	48	28 ~ 52.0	0.48	24.2	2800	375	53.4	0.70
OD180APL-48L*B	48	28 ~ 52.0	0.30	15.4	2150	300	46.1	0.58

\* Insert letter "T" for Terminal connection type

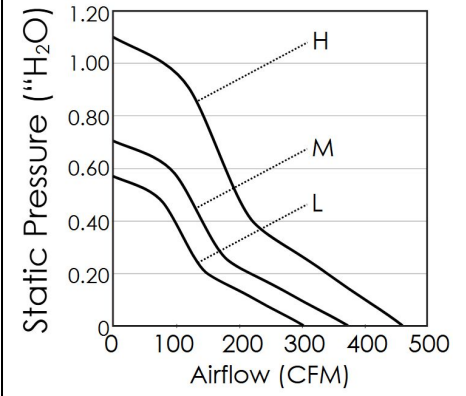
# OD180APL Series with Alarm



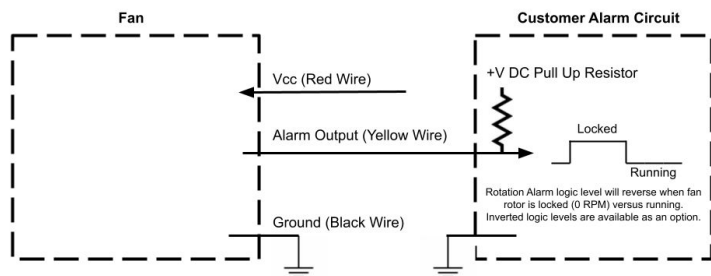
DC Fans - 12, 24, 48V  
180mm x 180mm x 65mm (7" x 2.5")



<b>Frame</b>	Die Cast Aluminum, Black Finish	<b>Operating Temperature</b> -20°C ~ +65°C
<b>Impeller</b>	PBT, UL94 V-0 Plastic	
<b>Connection</b>	3x Wire Leads, 20/22 AWG	<b>Storage Temperature</b> -20°C ~ +75°C
<b>Motor</b>	Brushless DC, Auto Cutoff, Auto Restart, Electronically Protected, Polarity Protected	
<b>Bearing System</b>	Ball Bearings	<b>Life Expectancy</b> 60,000 Hours (L10 at 40°C)
<b>Dielectric Strength</b>	500VDC/min, <5mA	<b>Installed Options</b> Open Collector Alarm Output
<b>Insulation Resistance</b>	≥10M Ohm @ 500 VDC	<b>Available Options</b> Inverted Alarm Type
		<b>Weight:</b> 3.2 lbs



Part Number	Rated Voltage (Volts DC)	Voltage Range (Volts DC)	Rated Current (Amps)	Rated Power (Watts)	Rated Speed (RPM)	Max Airflow (CFM)	Noise Level (dBA)	Max Static Pressure ("H <sub>2</sub> O)
OD180APL-12HB02A	12	9 ~ 13.8	4.20	50.4	3375	460	63.2	1.10
OD180APL-12MB02A	12	9 ~ 13.8	1.90	23.5	2800	375	53.4	0.70
OD180APL-12LB02A	12	9 ~ 13.8	1.50	19.0	2150	300	46.1	0.58
OD180APL-24HB02A	24	20 ~ 26.4	2.50	60.2	3375	460	63.2	1.10
OD180APL-24MB02A	24	20 ~ 26.4	1.15	28.3	2800	375	53.4	0.70
OD180APL-24LB02A	24	20 ~ 26.4	0.62	15.6	2150	300	46.1	0.58
OD180APL-48HB02A	48	28 ~ 52.0	1.03	50.2	3375	460	63.2	1.10
OD180APL-48MB02A	48	28 ~ 52.0	0.48	24.2	2800	375	53.4	0.70
OD180APL-48LB02A	48	28 ~ 52.0	0.30	15.4	2150	300	46.1	0.58



Alarm Max Pullup Voltage:  
Alarm Max Sink Current:  
Alarm ACTIVE (0 RPM) State:

Fan Vcc  
5mA  
HIGH