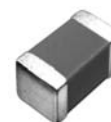


# NTCG0805-KIT Series Thermistor Sample Kit

## SMD Negative Temperature Coefficient Thermistor Sample Kit

TDK's NTCG Series Thermistors are manufactured from sintered metal oxides. Each thermistor consists of a combination of two to four of the following materials:

Manganese, Nickel, Cobalt, and Copper. NTC thermistors are semiconductor resistors that exhibit decreasing resistance characteristics with increasing temperature. TDK thermistors have low thermal time constants which result in extremely high rates of resistance change to accurately track the temperature.



Thermistor

Multilayer

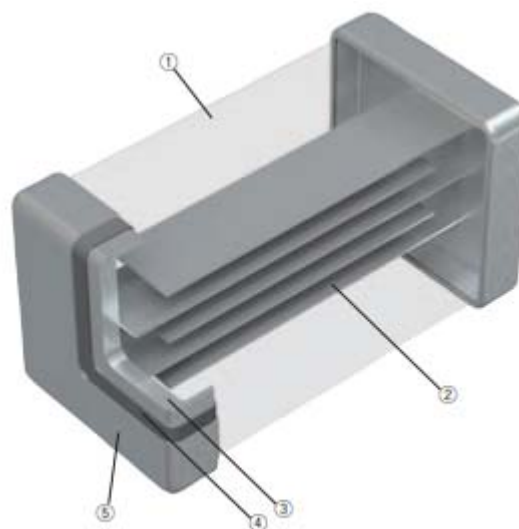
Commercial



### Features

- Lead (Pb) free product
- Wide range of resistances and B constants available
- Good stability of resistance value after soldering
- Standard operating temperature range of  $-40$  to  $+125^{\circ}\text{C}$
- Storage temperature range of  $-40$  to  $+125^{\circ}\text{C}$  (after PC board mounting)

### Internal Structure of NTCG Series Multilayer Chip Thermistors



No.	Name
(1)	Semiconductor ceramics
(2)	Internal electrode(Pd)
(3)	Ag
(4)	Terminal electrode Ni
(5)	Sn

### Applications

- Mobile communication devices
- DVC, DSC
- Optical Transmission System
- Computer devices
- Printer

### Sample Kit Information

Series	Size [mm]	Thickness [mm]	Nominal Resistance [@ $25^{\circ}\text{C}$ ] $\pm 5\%$	B Value [ $25/50^{\circ}\text{C}$ ]	B Value [ $25/85^{\circ}\text{C}$ ]
<a href="#">NTCG</a>	2.0 x 1.2 [EIA 0805]	1.0	470ohm to 150kohm	(3060-4085K)	3150-4150K

Kit contains 160 pieces total—10 pieces each of 16 values

Digi-Key Part Number: [NTCG0805-KIT-ND](#)



# NTCG0805-KIT Series Thermistor Sample Kit

## SMD Negative Temperature Coefficient Thermistor Sample Kit



Digi-Key Part Number	TDK Part Number	Part Number Description
NTCG0805-KIT-ND	NTCG203BH102JT1	1kohm $\pm$ 5%, 3100K
	NTCG203BH152JT1	1.5kohm $\pm$ 5%, 3100K
	NTCG203EH471JT1	470ohm $\pm$ 5%, 3250K
	NTCG203EH681JT1	680ohm $\pm$ 5%, 3250K
	NTCG203FH222JT1	2.2kohm $\pm$ 5%, 3300K
	NTCG203FH332JT1	3.3kohm $\pm$ 5%, 3300K
	NTCG203JH472JT1	4.7kohm $\pm$ 5%, 3450K
	NTCG203JH682JT1	6.8kohm $\pm$ 5%, 3450K
	NTCG203NH103JT1	10kohm $\pm$ 5%, 3650K
	NTCG203NH153JT1	15kohm $\pm$ 5%, 3650K
	NTCG203SH223JT1	22kohm $\pm$ 5%, 3850K
	NTCG203SH333JT1	33kohm $\pm$ 5%, 3850K
	NTCG204AH473JT1	47kohm $\pm$ 5%, 4000K
	NTCG204AH683JT1	68kohm $\pm$ 5%, 4000K
	NTCG204CH104JT1	100kohm $\pm$ 5%, 4150K
	NTCG204CH154JT1	150kohm $\pm$ 5%, 4150K