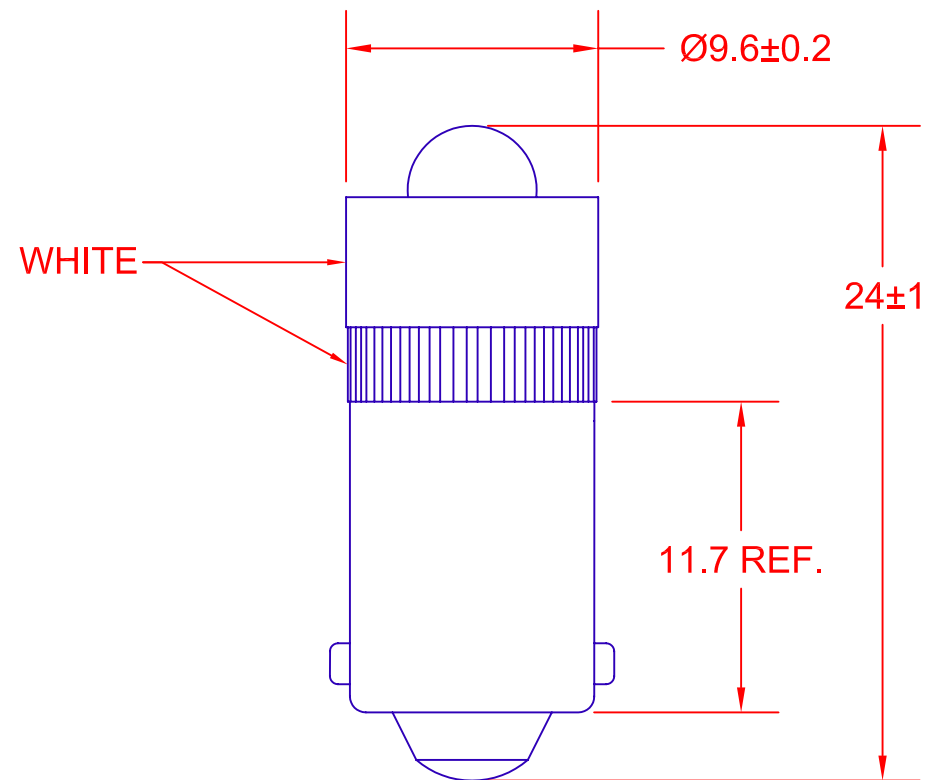


REV.	DESCRIPTION/ECO NO.	DATE
	RELEASE & CANCEL PL-0611-01	1/25/07
A	ADD X Y COORDINATES	3/19/07
B	CHNG COORD. TO COLOR TEMP	1/12/10
C	ADD FEATURES NOTE, CHNG TITLE	2/10/10



**FEATURES**

Non-Polarized  
12V AC or DC Operation

**ELECTRICAL OPTICAL CHARACTERISTICS**

COLOR	AC/DC VOLTS	AMPS (mA)	LUMINOUS INTENSITY (mcd)	COLOR TEMPERATURE	50% POWER ANGLE (deg.)
COOL WHITE	12-14	20 (MAX.)	TYP. 7,000	6000K	30

**JKL PART NO.: LE-BA9S-12W**

<p>THIRD ANGLE PROJECTION</p>	DIMENSIONS ARE IN MILLIMETERS TOLERANCE UNLESS OTHERWISE SPECIFIED 1 PL +/- 0.2 2 PL +/- 0.20 ANGLE +/- 0		<b>JKL COMPONENTS CORPORATION</b>			
			TITLE <b>12V T-3 1/4 BAYONET BASED LED</b>			
DRAWN BY L. WENGSTROM	APP'VD BY L.R.	DATE 2/10/10	SIZE <b>A</b>	FSCM NO. <b>55335</b>	DRAWING NO. <b>LE-BA9S-12W</b>	
- CAD DRAWING - MANUAL REVISIONS NOT PERMITTED			SCALE NONE	RELEASED DATE 1/25/07	REVISION DATE 2/10/10	REV. NO. <b>C</b> SHEET 1 OF 1