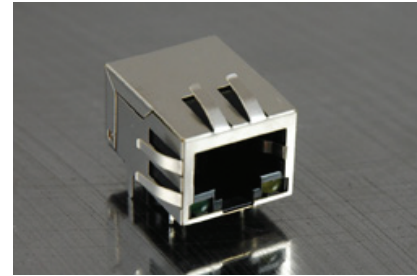




Single Port RJ45 Connector

AR1015-1221I

- 100 Base-T Ethernet Application
- Meets IEEE 802.3 & ANSI X 3.263 standards
- Impedance: 100Ω
- Wave solder capable to 265°C
- Industrial operating temp: -40°C to ±85°C



Electrical Specifications @ 25°C

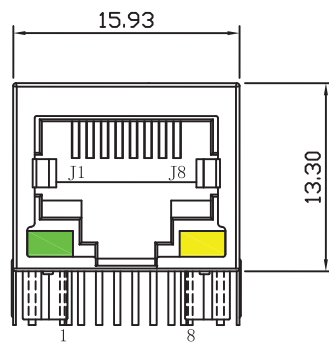
Part Number	OCL(μH Min) @ 100kHz, 0.1V With 8mA DC Bias	Turns Ratio chip: cable (±3%)	Insertion Loss (dB Max)		Return Loss (dB Min)	
			0.5-100MHz	0.5-30MHz	30.1-60MHz	60.1-80MHz
AR1015-1221I	350	1CT:1CT	1.1	-18	-18-20*log(f/30)	-12

Electrical Specifications @ 25°C

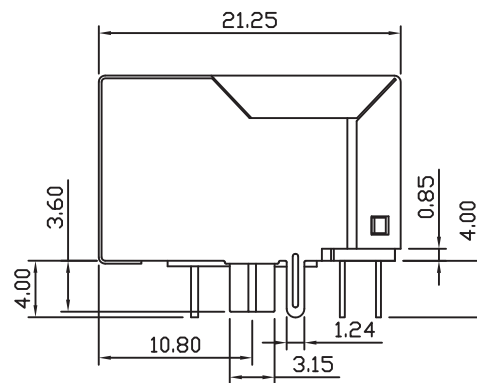
Part Number	EMI Fingers	LED (L/R)	Cross Talk (dB Min)		CMRR (dB Min) 0.5-100MHz	HI-POT VRMS
			0.5-40MHz	40.1-100MHz		
AR1015-1221I	NO	G/Y	-35	-33-20*log(f/50)	-30	1500

All specifications subject to change without notice.

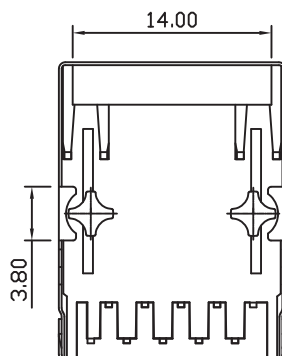
MECHANICAL



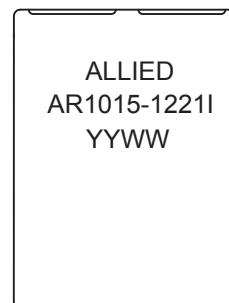
Front Side View



Left Side View



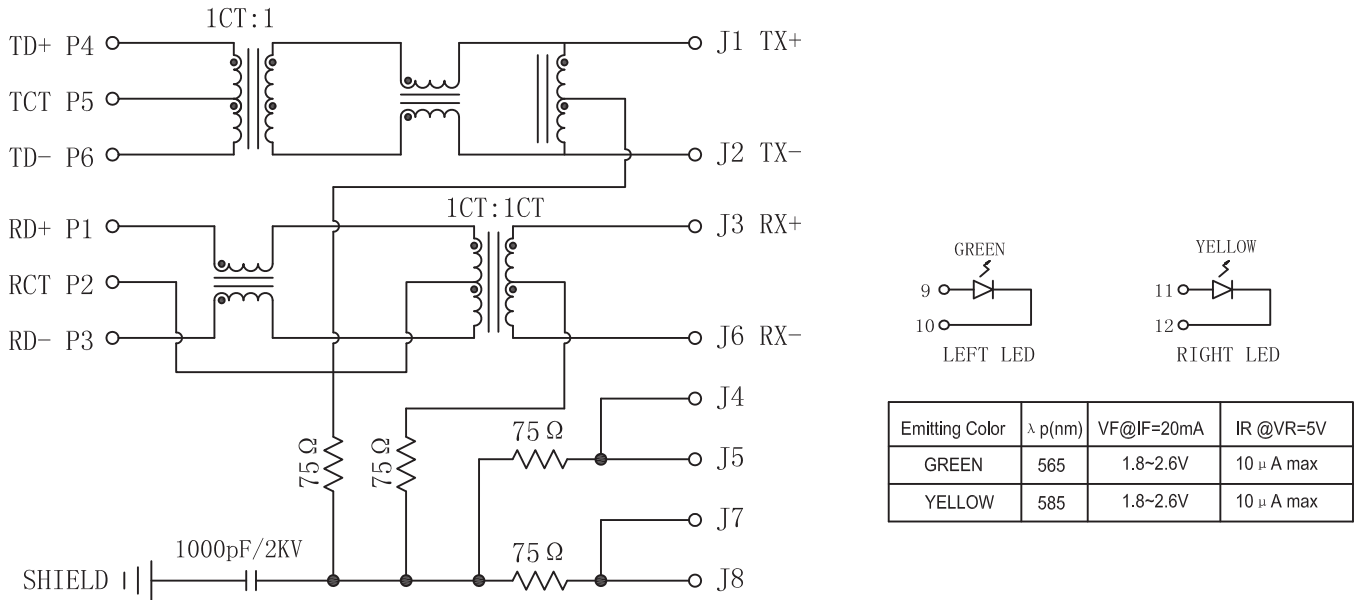
Bottom Side View



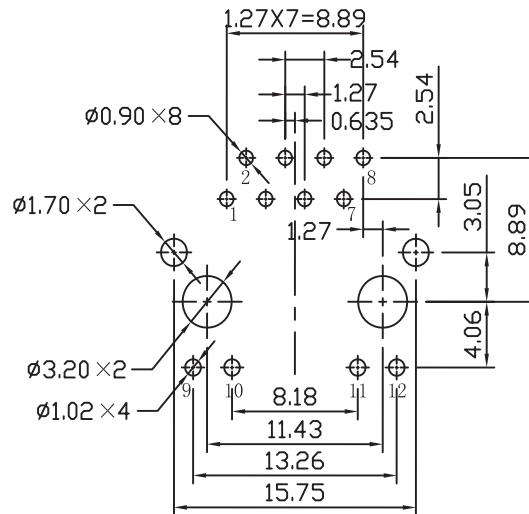
Top Side View



SCHEMATICS



PCB LAYOUT



NOTES

1. Meets IEEE 802.3 specification
2. Connector Materials:
 Housing Material: Thermoplastic PBT+30%G.F UL94V-0
 Contact Material: Phosphor Bronze C5210R-EH Thickness=0.35mm
 Pins: Brass C2680R-H Thickness=0.35mm
 Shield: SUS 201-1/2H Thickness=0.2mm
 Contact plating: Gold 6 micro-inches min. In contact area.
3. Wave solder tip temperature: 265°C Max, 5 Sec Max