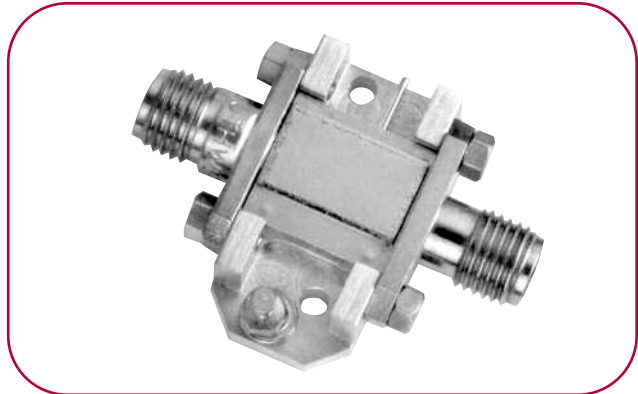


ACTIVE FREQUENCY DOUBLERS (CONT.)

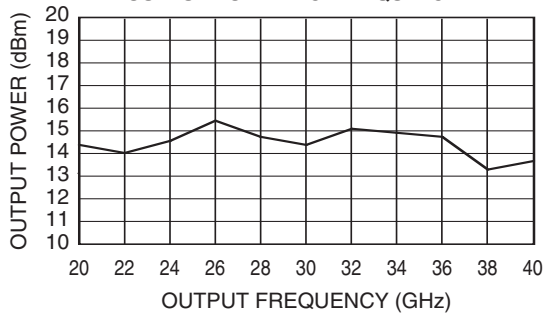
MODEL: MAX2M200400

ELECTRICAL SPECIFICATIONS

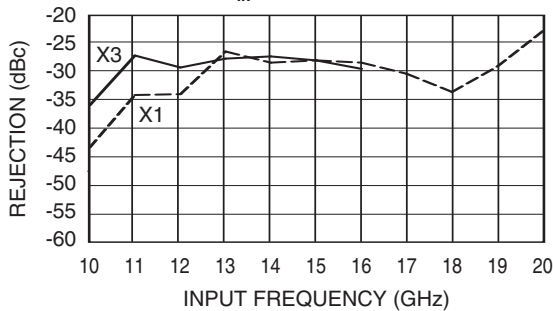
Input frequency range	10 – 20 GHz
Output frequency range	20 – 40 GHz
Input power range	8 – 12 dBm
Harmonic rejection	
Fundamental	20 dBc minimum
Odd harmonic	20 dBc minimum



OUTPUT POWER VS. FREQUENCY

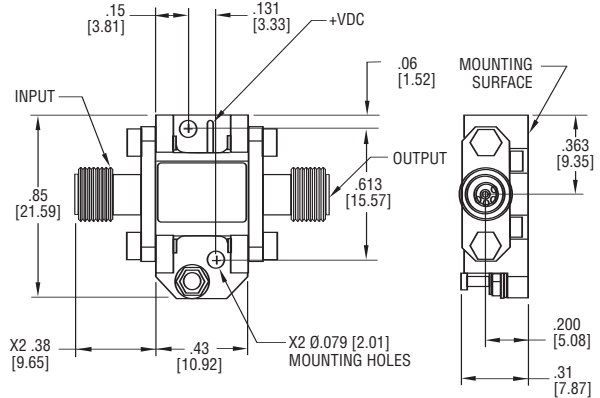


FUNDAMENTAL HARMONIC REJECTION VS. FREQUENCY (P_{IN} = +10 dBm)



OUTLINE DRAWING

MAX2K



NOTES:

- Optional input connectors SMA, K or output connectors K or V type male.
- Optional waveguide output available, please contact MITEQ.
- All dimensions shown in brackets [] are in millimeters.