

PART NAME: KNOB SCALE: 1:1 DATE: 12/3/92 DR. BY HD

THIS DRAWING IS THE PROPERTY OF DAVIES MOLDING COMPANY, IS SUBMITTED SOLELY AS A DESIGN OR ENGINEERING PROJECT. WE ACCEPT NO RESPONSIBILITY WHATSOEVER FOR THE PRACTICAL APPLICATION OF THE PIECES MADE TO THIS DESIGN.



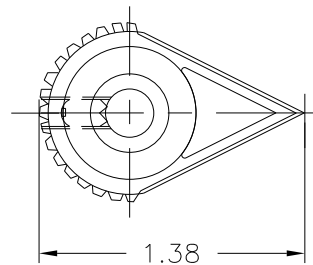
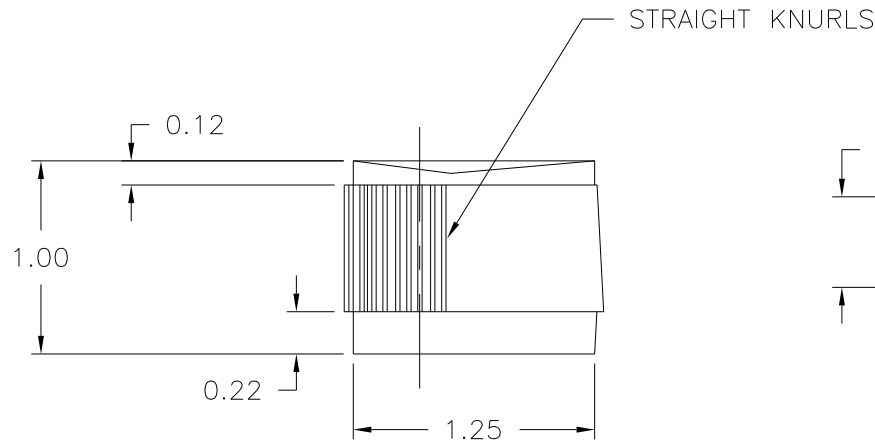
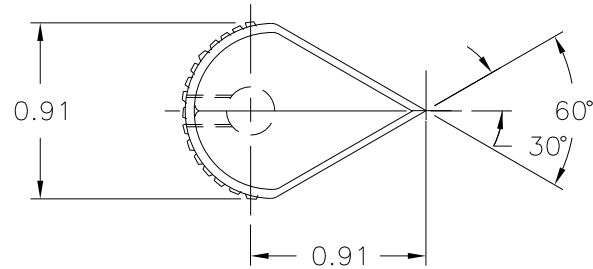
DESIGNERS & MANUFACTURERS OF KNOBS, HANDLES, CASES & CUSTOM PLASTIC COMPONENTS

P/N 8010

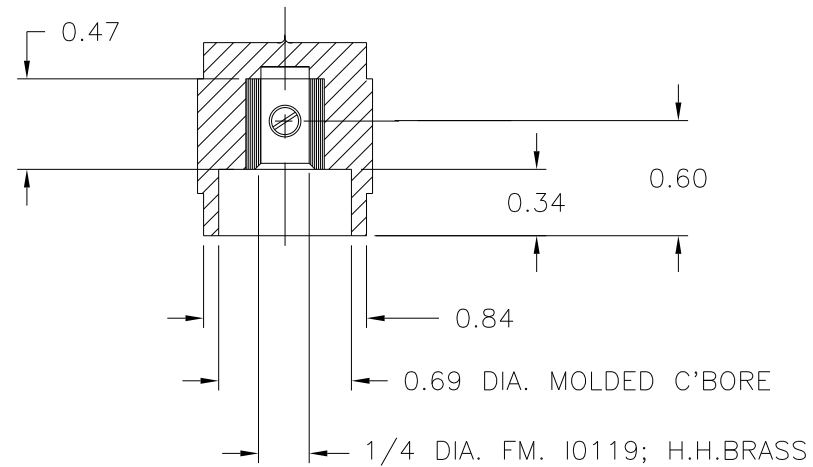
BASE PART 8010-01

SET SCREW I0357

CAD/REDRAWN : 12/3/92 : HD



C'SK; USE # 28 DR.(.140 DIA.); 8-32 TAP. # 8-32 X 1/4 LG. THD'D. CUP POINTED, HEADLESS, SLOTTED TYPE, SET SCREW I0357, ONE(1) REQ'D. AS SHOWN.



Ⓐ MATERIAL: 6/6 NYLON (BE4)  
COLOR: BLACK

|   |                                  |   |                 |              |
|---|----------------------------------|---|-----------------|--------------|
| TOLERANCES:<br>UNLESS OTHERWISE SPECIFIED | DO NOT SCALE<br>DRAWING          |   |                 |              |
| DECIMALS: X.XXX ± .005<br>X.XX ± .015     | MM: X.XX ± 0.15MM<br>X.X ± 0.4MM | - | UPDATED TOOLBOX | JAM 11/25/02 |
| FRACTIONS ± 1/64                          | ANG. ± 1°                        | A | WAS ABS         | JAM 2/21/00  |
| CHANGES                                   |                                  |   |                 |              |