

## 54LS379/DM74LS379 Quad Parallel Register with Enable

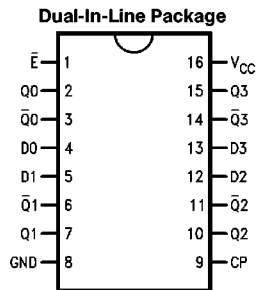
### General Description

The LS379 is a 4-bit register with buffered common Enable. This device is similar to the LS175 but features the common Enable rather than common Master Reset.

### Features

- Edge-triggered D-type inputs
- Buffered positive edge-triggered clock
- Buffered common enable input
- True and complement outputs

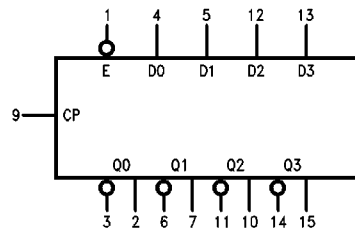
### Connection Diagram



TL/F/10186-1

**Order Number 54LS379DMQB, 54LS379FMQB,  
54LS379LMQB, DM74LS379M or DM74LS379N  
See NS Package Number E20A,  
J16A, M16A, N16E or W16A**

### Logic Symbol



V<sub>CC</sub> = Pin 16  
GND = Pin 8

TL/F/10186-2

Pin Names	Description
$\bar{E}$	Enable Input (Active LOW)
D0-D3	Data Inputs
CP	Clock Pulse Input (Active Rising Edge)
Q0-Q3	Flip-Flop Outputs
$\bar{Q}0-\bar{Q}3$	Complement Outputs

## Absolute Maximum Ratings (Note)

If Military/Aerospace specified devices are required, please contact the National Semiconductor Sales Office/Distributors for availability and specifications.

Supply Voltage	7V
Input Voltage	7V
Operating Free Air Temperature Range	
54LS	–55°C to +125°C
DM74LS	0°C to +70°C
Storage Temperature Range	–65°C to +150°C

Note: The "Absolute Maximum Ratings" are those values beyond which the safety of the device cannot be guaranteed. The device should not be operated at these limits. The parametric values defined in the "Electrical Characteristics" table are not guaranteed at the absolute maximum ratings. The "Recommended Operating Conditions" table will define the conditions for actual device operation.

## Recommended Operating Conditions

Symbol	Parameter	54LS379			DM74LS379			Units
		Min	Nom	Max	Min	Nom	Max	
V <sub>CC</sub>	Supply Voltage	4.5	5	5.5	4.75	5	5.25	V
V <sub>IH</sub>	High Level Input Voltage	2			2			V
V <sub>IL</sub>	Low Level Input Voltage			0.7			0.8	V
I <sub>OH</sub>	High Level Output Current			–0.4			–0.4	mA
I <sub>OL</sub>	Low Level Output Current			4			8	mA
T <sub>A</sub>	Free Air Operating Temperature	–55		125	0		70	°C
t <sub>s</sub> (H) t <sub>s</sub> (L)	Setup Time HIGH or LOW Dn to CP	20			20			ns
t <sub>h</sub> (H) t <sub>h</sub> (L)	Hold Time HIGH or LOW Dn to CP	5			5			ns
t <sub>s</sub> (H) t <sub>s</sub> (L)	Setup Time HIGH or LOW E to CP	25			25			ns
t <sub>h</sub> (H) t <sub>h</sub> (L)	Hold Time HIGH or LOW E to CP	5			5			ns
t <sub>w</sub> (L)	CP Pulse Width LOW	17			17			ns

## Electrical Characteristics over recommended operating free air temperature range (unless otherwise noted)

Symbol	Parameter	Conditions	Min	Typ (Note 1)	Max	Units
V <sub>I</sub>	Input Clamp Voltage	V <sub>CC</sub> = Min, I <sub>I</sub> = –18 mA			–1.5	V
V <sub>OH</sub>	High Level Output Voltage	V <sub>CC</sub> = Min, I <sub>OH</sub> = Max, V <sub>IL</sub> = Max	54LS DM74	2.5 2.7		V
V <sub>OL</sub>	Low Level Output Voltage	V <sub>CC</sub> Min, I <sub>OL</sub> = Max, V <sub>IH</sub> = Min	54LS DM74		0.4 0.5	V
		I <sub>OL</sub> = 4 mA, V <sub>CC</sub> = Min	DM74		0.4	
I <sub>I</sub>	Input Current @ Max Input Voltage	V <sub>CC</sub> = Max, V <sub>I</sub> = 10V			0.1	mA
I <sub>IH</sub>	High Level Input Current	V <sub>CC</sub> = Max, V <sub>I</sub> = 2.7V			20	μA
I <sub>IL</sub>	Low Level Input Current	V <sub>CC</sub> = Max, V <sub>I</sub> = 0.4V			–0.4	mA
I <sub>OS</sub>	Short Circuit Output Current	V <sub>CC</sub> = Max (Note 2)	54LS DM74	–20 –20	–100 –100	mA
I <sub>CC</sub>	Supply Current	V <sub>CC</sub> = Max			18	mA

Note 1: All typicals are at V<sub>CC</sub> = 5V, T<sub>A</sub> = 25°C.

Note 2: Note more than one output should be shorted at a time, and the duration should not exceed one second.

## Switching Characteristics

$V_{CC} = +5.0V$ ,  $T_A = +25^\circ C$  (See Section 1 for test waveforms and output load)

Symbol	Parameter	$R_L = 2\text{ k}\Omega$ , $C_L = 15\text{ pF}$		Units
		Min	Max	
$f_{max}$	Maximum Clock Frequency	30		MHz
$t_{PLH}$ $t_{PHL}$	Propagation Delay CP to Qn		27	ns

## Functional Description

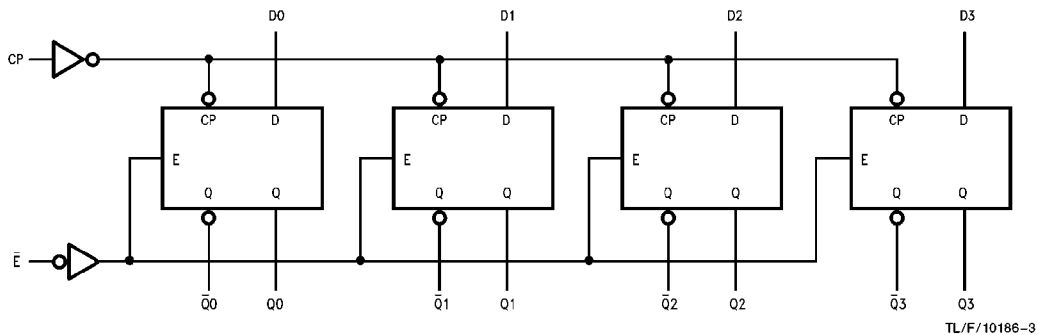
The LS379 consists of four edge-triggered D-type flip-flops with individual D inputs and Q and  $\bar{Q}$  outputs. The Clock (CP) and Enable ( $\bar{E}$ ) inputs are common to all flip-flops. When the  $\bar{E}$  input is HIGH, the register will retain the present data independent of the CP input. The Dn and  $\bar{E}$  inputs can change when the clock is in either state, provided that the recommended setup and hold times are observed.

## Truth Table

Inputs			Outputs	
$\bar{E}$	CP	Dn	Qn	$\bar{Q}n$
H		X	No Change	No Change
L		H	H	L
L		L	L	H

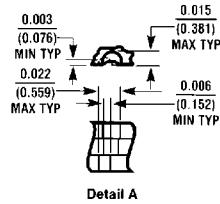
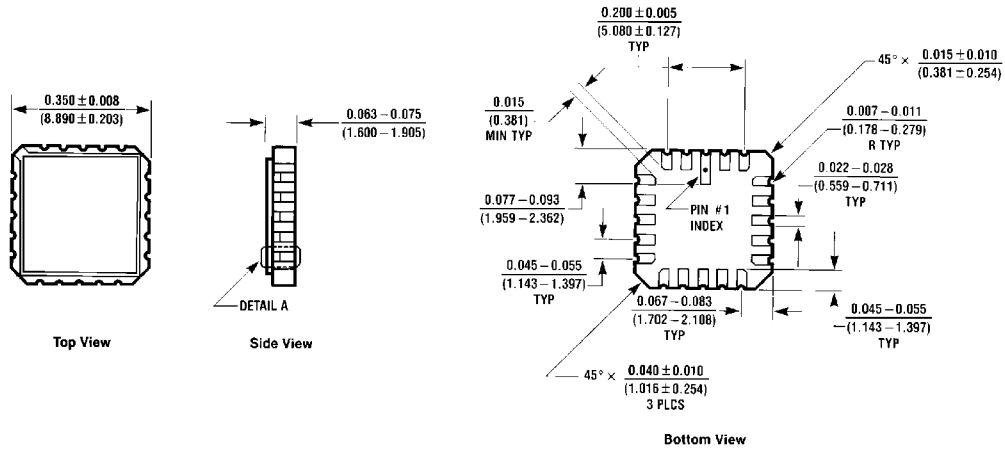
H = HIGH Voltage Level  
L = LOW Voltage Level  
X = Immaterial

## Logic Diagram



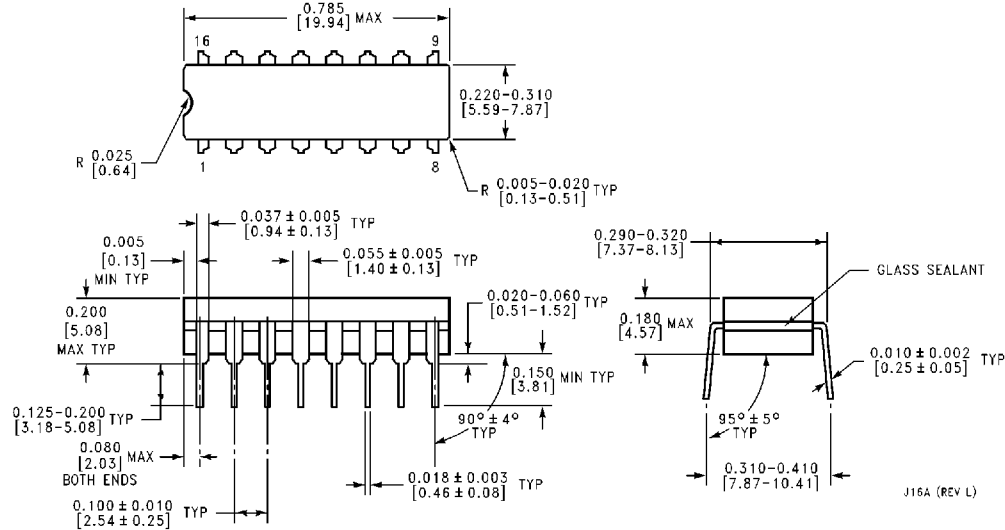
TL/F/10186-3

**Physical Dimensions** inches (millimeters)



**Ceramic Leadless Chip Carrier Package (E)**  
**Order Number 54LS379LMQB**  
**NS Package Number E20A**

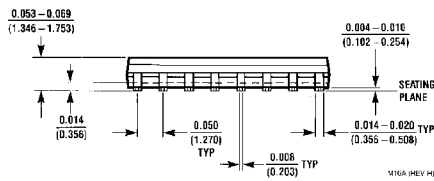
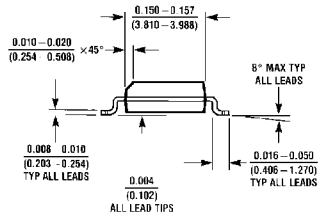
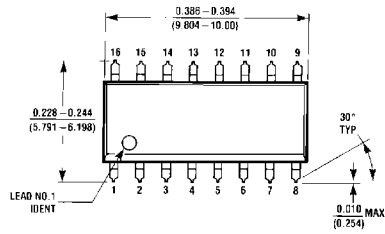
E20A (REV D)



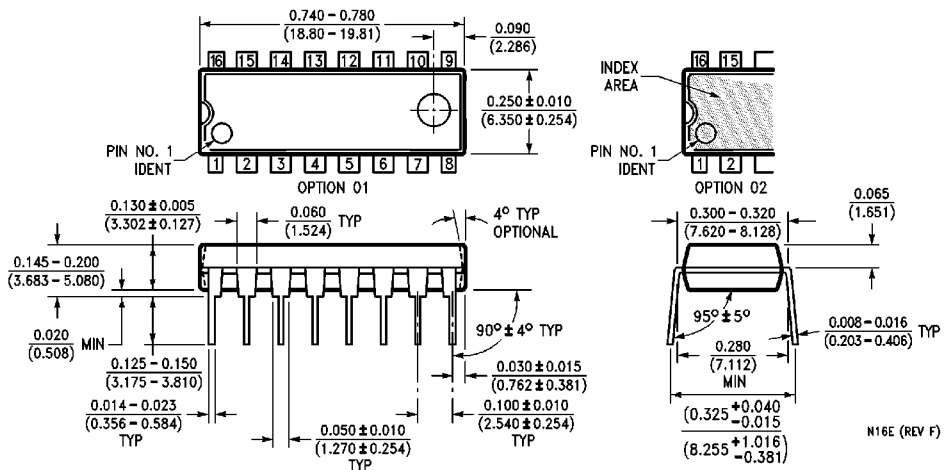
**16-Lead Ceramic Dual-In-Line Package (J)**  
**Order Number 54LS379DMQB**  
**NS Package Number J16A**

J16A (REV L)

**Physical Dimensions** inches (millimeters)

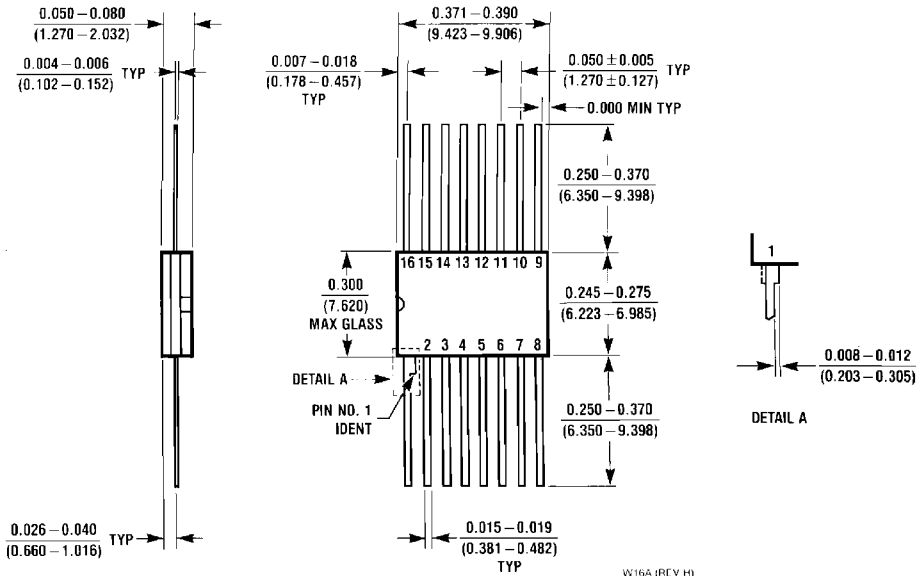


**16-Lead Small Outline Molded Package (M)**  
**Order Number DM74LS379M**  
**NS Package Number M16A**



**16-Lead Molded Dual-In-Line Package (N)**  
**Order Number DM74LS379N**  
**NS Package Number N16E**

**Physical Dimensions** inches (millimeters)



**16-Lead Ceramic Flat Package (W)**  
**Order Number 54LS379FMQB**  
**NS Package Number W16A**

**LIFE SUPPORT POLICY**

NATIONAL'S PRODUCTS ARE NOT AUTHORIZED FOR USE AS CRITICAL COMPONENTS IN LIFE SUPPORT DEVICES OR SYSTEMS WITHOUT THE EXPRESS WRITTEN APPROVAL OF THE PRESIDENT OF NATIONAL SEMICONDUCTOR CORPORATION. As used herein:

1. Life support devices or systems are devices or systems which, (a) are intended for surgical implant into the body, or (b) support or sustain life, and whose failure to perform, when properly used in accordance with instructions for use provided in the labeling, can be reasonably expected to result in a significant injury to the user.
2. A critical component is any component of a life support device or system whose failure to perform can be reasonably expected to cause the failure of the life support device or system, or to affect its safety or effectiveness.



**National Semiconductor Corporation**  
 1111 West Bardin Road  
 Arlington, TX 76017  
 Tel: 1(800) 272-9959  
 Fax: 1(800) 737-7018

**National Semiconductor Europe**  
 Fax: (+49) 0-180-530 85 86  
 Email: onjwge@tevm2.nsc.com  
 Deutsch Tel: (+49) 0-180-530 85 85  
 English Tel: (+49) 0-180-532 78 32  
 Français Tel: (+49) 0-180-532 93 58  
 Italiano Tel: (+49) 0-180-534 16 60

**National Semiconductor Hong Kong Ltd.**  
 13th Floor, Straight Block,  
 Ocean Centre, 5 Canton Rd.  
 Tsimshatsui, Kowloon  
 Hong Kong  
 Tel: (852) 2737-1600  
 Fax: (852) 2736-9960

**National Semiconductor Japan Ltd.**  
 Tel: 81-043-299-2309  
 Fax: 81-043-299-2408

National does not assume any responsibility for use of any circuitry described, no circuit patent licenses are implied and National reserves the right at any time without notice to change said circuitry and specifications.