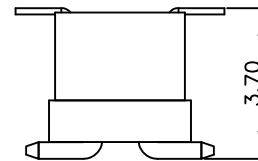
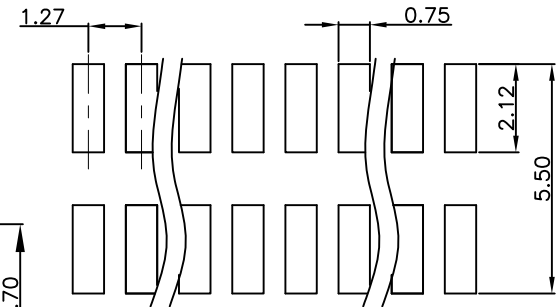
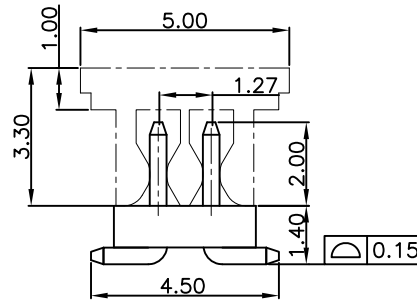
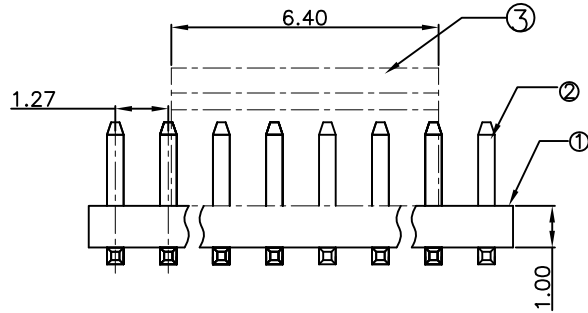
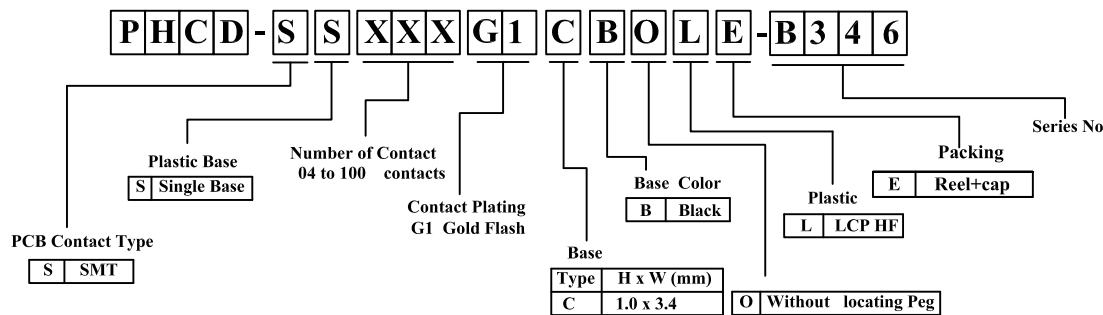


Compliance with:
 USB3.2 Gen2 Type C(10Gbps),
 USB3.2 Gen1(5Gbps).
 Mating with:
 "FHCD-SGXXXG1NBOL-E-F01"
 Mating Height: 3.70mm



Mating Drawing

P.C.B LAYOUT



L=4.6mm

RoHS compliant

REV.	DESCRIPTION	DATE
A	New Drawing	2020/02/17

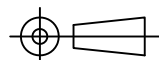
LTR	Part Name	Material	Description	QTY
1	Housing	LCP HF UL94V-0	260°C for 10 Seconds . Initial : 1000M Ohms Min. After Test : 500M Ohms Min.	1
2	Contact	Brass	Current Rating : 1.0A Initial : 20m Ohms Max. After Test : 40m Ohms Max.	XX
3	CAP	LCP UL94V-0	260°C for 10 Seconds .	1

Temperature Rating : -40°C ~ +125°C .
 Dielectric Withstanding Voltage : 500V AC/Min

Superior Tech Co., Ltd.

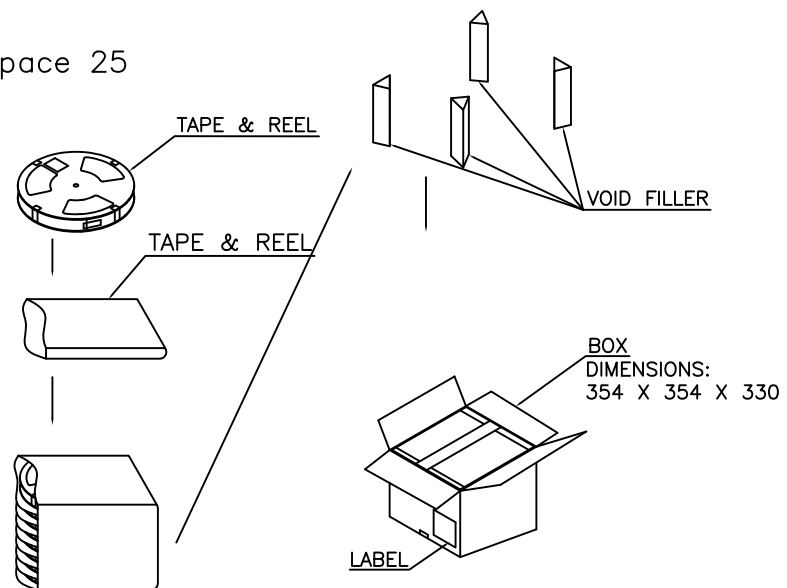
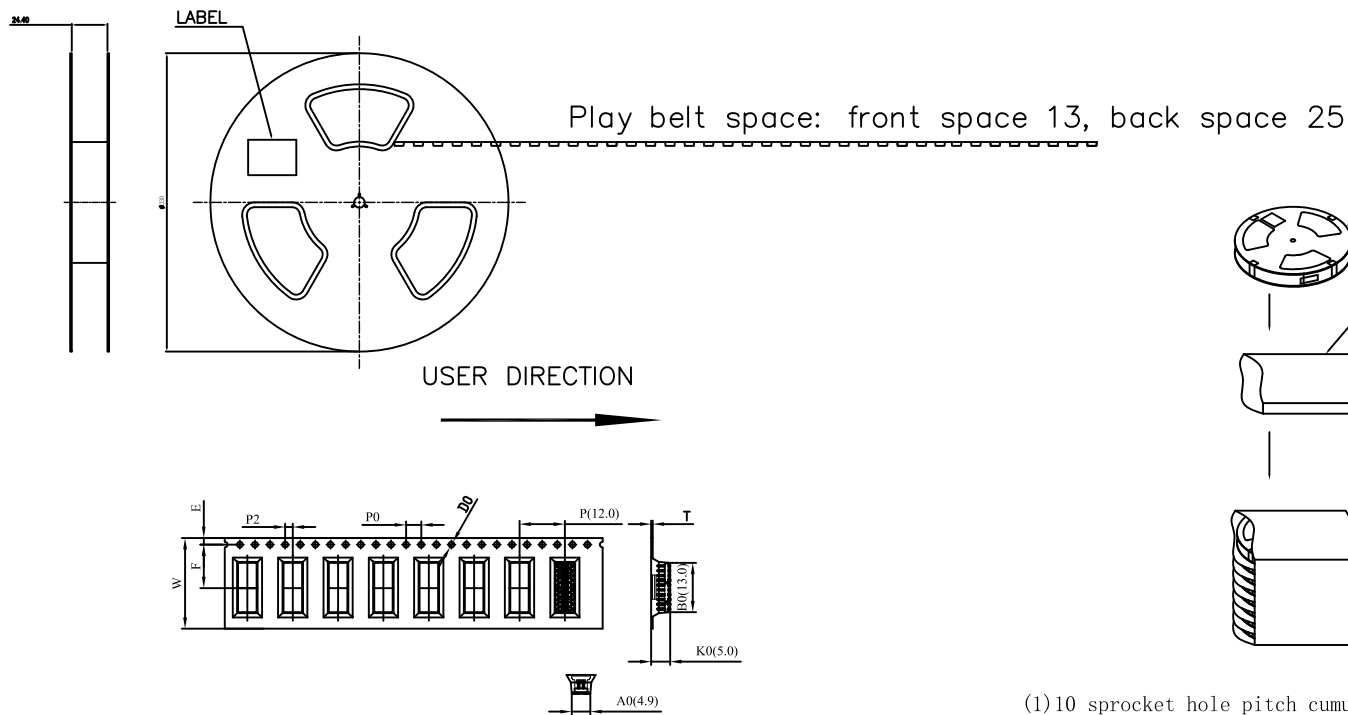
General Tolerance		TITLE	1.27x1.27mm Pin Header SMT Dual Row	
X.	± 0.5	DRAWN	DATE	NO.
.X	± 0.3	Tom	02-17-20'	002
.XX	± 0.2	CHECK	DATE	PART NO.
.XXX	± 0.1	APPROVED	DATE	PHCD-SSXXXG1CBOLE-B346
Angle	± 5°			CUSTOMER NO.
				DK

REV.	UNIT	SCALE
A	mm	1:1



(Q2-R03-01A) ST-R05-07

REV.	DESCRIPTION	DATE
A	New Drawing	2022/05/30



- (1) 10 sprocket hole pitch cumulative tolerance ± 0.20 .
- (2) Carrier camber is within 1 mm in 250mm.
- (3) All dimensions meet EIA-481-C requirements.
- (4) Material: **Transparent PS** Thickness: 0.40 ± 0.05 (JG-TR-400)
- (5) Reel: 13" * 4", Carrier Length: 12.576 M/R.
- (6) Package quantity: 1000.PCS.
- (7) Lot Dimension angle is 3° .

ITEM	W	A0	B0	K0	K1	P	F	E	D0	D1	P0	P2	T
DIM	24.00 ± 0.30	4.9 ± 0.10	13.0 ± 0.02	5.0 ± 0.10	± 0.10	12.0 ± 0.10	11.50 ± 0.10	1.75 ± 0.10	1.50 ± 0.10	0.00 ± 0.10	4.00 ± 0.10	2.00 ± 0.10	0.40 ± 0.05
ALTERNATE													

The number of PINs	Quantity per volume	Number of boxes / rolls	Box / quantity
2*10PIN	1000PCS/Volume	10PCS	10000PCS

Superior Tech Co., Ltd.

General Tolerance		TITLE PHCD-SS020G1CBOLE-B346_Packing	
X. ± 0.5		DRAWN Tom	DATE 2022/05/30
.X ± 0.3		CHECK	PART NO. PHCD-SS020G1CBOLE-B346
.XX ± 0.2		APPROVED	CUSTOMER NO. DK
.XXX ± 0.1			
Angle	$\pm 5^\circ$		

REV. A	UNIT mm	SCALE 1:1	
------------------	-------------------	---------------------	--