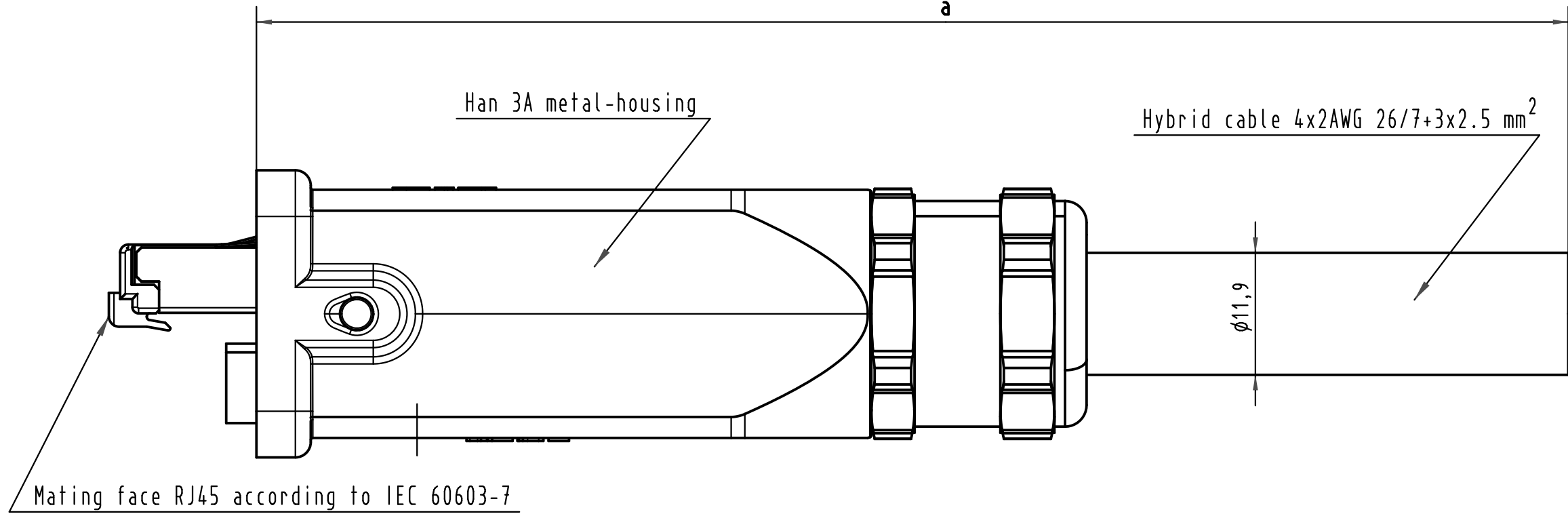
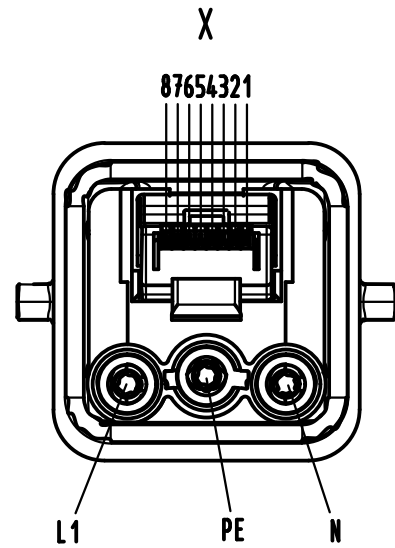


Alle Rechte vorbehalten/ All rights reserved



Mating face RJ45 according to IEC 60603-7



Loading-Plan (Data)

- Shield
- 1 White/green
- 2 Green
- 3 White/orange
- 4 Blue
- 5 White/blue
- 6 Orange
- 7 White/brown
- 8 Brown

Loading-Plan (Power)

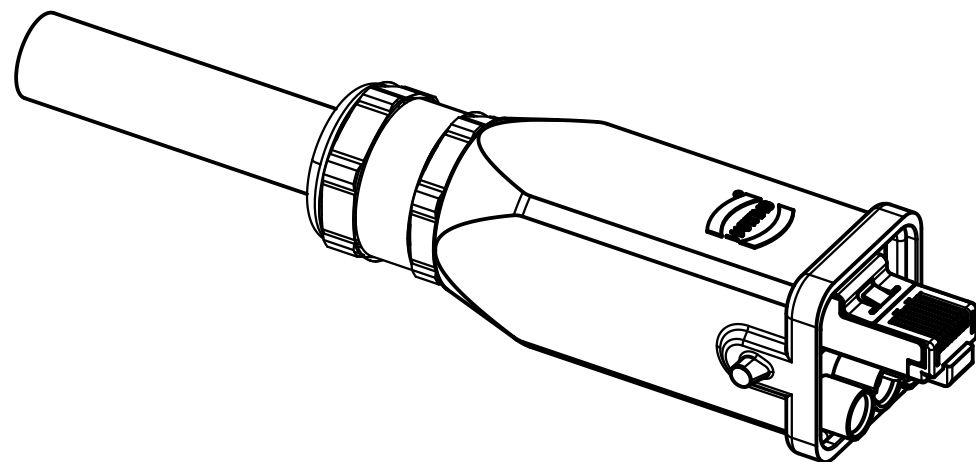
- L1 black
- N blue
- PE green/yellow

-Protection level: IP67
 -Temperature range: -20°C ...+70°C

-Data transmission properties in accordance with ISO/IEC 11801:2002 ? ? ? ? ? ? ? ? ? ?

4	Hybrid cable 4x2AWG26/7+3x2.5 mm ² AC	33 57 111 020 0002	20 m
3	Hybrid cable 4x2AWG26/7+3x2.5 mm ² AC	33 57 111 010 0002	10 m
2	Hybrid cable 4x2AWG26/7+3x2.5 mm ² AC	33 57 111 005 0002	5 m
1	Hybrid cable 4x2AWG26/7+3x2.5 mm ² AC	33 57 111 001 0002	1 m

Cont No.	Type of cable	Part-No.	Dim. a
----------	---------------	----------	--------



All Dimensions in mm Original Size DIN A 3			Techn. Character.			Nicht tolerierte Maßel/Free size tolerances			
			Dat.	Name	Maßstab/Scale 2:1	Hybrid cable assembly, 4x2AWG26/7+3x2.5 mm ² HAN3A, AC			
			Detail.	07.07.08					RA
			Insp.						
			Stand.						
35035	10.11.08	MS	HARTING Electronics GmbH & Co. KG			TB 33 57 111 xxx 0002			
34567			D-32339 ESPELKAMP						Blatt/ page
Mod.	Dat.	Name				Sub.			

