

Type FSC / FSC-P Fast Acting Glass Tube Fuse 5 x 20 mm



www.optifuse.com (619) 593-5050

Agency Standards and Listings:



See table to the right...

Interrupt Ratings:

- 10kA at 125VAC 100mA-8A
- 100A at 125VAC 1A-15A PSE
- 35A at 250VAC 100mA~1A
- 100A at 250VAC 1.2A~3.5A
- 200A at 250VAC 4A~8A
- 100A at 250VAC 1A~15A PSE
- 100A at 250VAC 100mA~7A KC

Operating Temperature:

-55° C - +90° C

Packaging in Bulk:

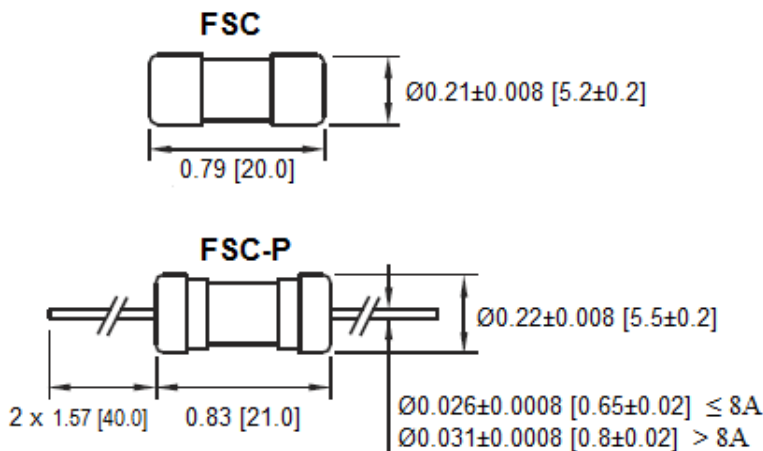
FSC-1000 pcs ; FSC-P- 500 pcs per box

Electrical Characteristics

100%	135%	200%
Min	Max	Max
4h	1h	5s

Cartridge Part No.	Axial Lead Part No.	Ampere Rating	Voltage Rating (V)	Nominal Resistance Cold Ohms	Agency Standards				
					UL cUL	UR cUR	CSA	PSE	KC
FSC-100mA	FSC-P-100mA	100mA	250V	-	•		•		•
FSC-125mA	FSC-P-125mA	125mA		-	•		•		•
FSC-150mA	FSC-P-150mA	150mA		-	•		•		•
FSC-200mA	FSC-P-200mA	200mA		0.02697	•		•		•
FSC-250mA	FSC-P-250mA	250mA		0.03371	•		•		•
FSC-300mA	FSC-P-300mA	300mA		0.04045	•		•		•
FSC-315mA	FSC-P-315mA	315mA		0.04247	•		•		•
FSC-350mA	FSC-P-350mA	350mA		0.04719	•		•		•
FSC-400mA	FSC-P-400mA	400mA		0.06145	•		•		•
FSC-500mA	FSC-P-500mA	500mA		0.07681	•		•		•
FSC-600mA	FSC-P-600mA	600mA		0.1224	•		•		•
FSC-630mA	FSC-P-630mA	630mA		0.1790	•		•		•
FSC-700mA	FSC-P-700mA	700mA		0.3040	•		•		•
FSC-750mA	FSC-P-750mA	750mA		0.3550	•		•		•
FSC-800mA	FSC-P-800mA	800mA		0.6167	•		•		•
FSC-1A	FSC-P-1A	1A		1.400	•		•	•	•
FSC-1.25A	FSC-P-1.25A	1.25A	1.540	•		•	•	•	
FSC-1.5A	FSC-P-1.5A	1.5A	2.076	•		•	•	•	
FSC-1.6A	FSC-P-1.6A	1.6A	3.450	•		•	•	•	
FSC-2A	FSC-P-2A	2A	5.149	•		•	•	•	
FSC-2.5A	FSC-P-2.5A	2.5A	5.761	•		•	•	•	
FSC-3A	FSC-P-3A	3A	9.722		•	•	•	•	
FSC-3.15A	FSC-P-3.15A	3.15A	9.835		•	•	•	•	
FSC-3.5A	FSC-P-3.5A	3.5A	13.52		•	•	•	•	
FSC-4A	FSC-P-4A	4A	15.80		•	•	•	•	
FSC-5A	FSC-P-5A	5A	29.11		•	•	•	•	
FSC-6A	FSC-P-6A	6A	47.42		•	•	•	•	
FSC-6.3A	FSC-P-6.3A	6.3A	59.24		•	•	•	•	
FSC-7A	FSC-P-7A	7A	73.10		•	•	•	•	
FSC-8A	FSC-P-8A	8A	100.0		•	•	•		
FSC-9A	FSC-P-9A	9A	153.9				•		
FSC-10A	FSC-P-10A	10A	171.0				•		
FSC-12A	FSC-P-12A	12A	306.2				•		
FSC-15A	FSC-P-15A	15A	382.8				•		
FSC-16A	FSC-P-16A	16A	-						

Mechanical Dimensions



Note: All specifications subject to change without notice.

Type FSC / FSC-P
Fast Acting Glass Tube Fuse
5 x 20 mm



www.optifuse.com (619) 593-5050

PART NUMBER FSC / FSC-P
TIME CURRENT CURVES

