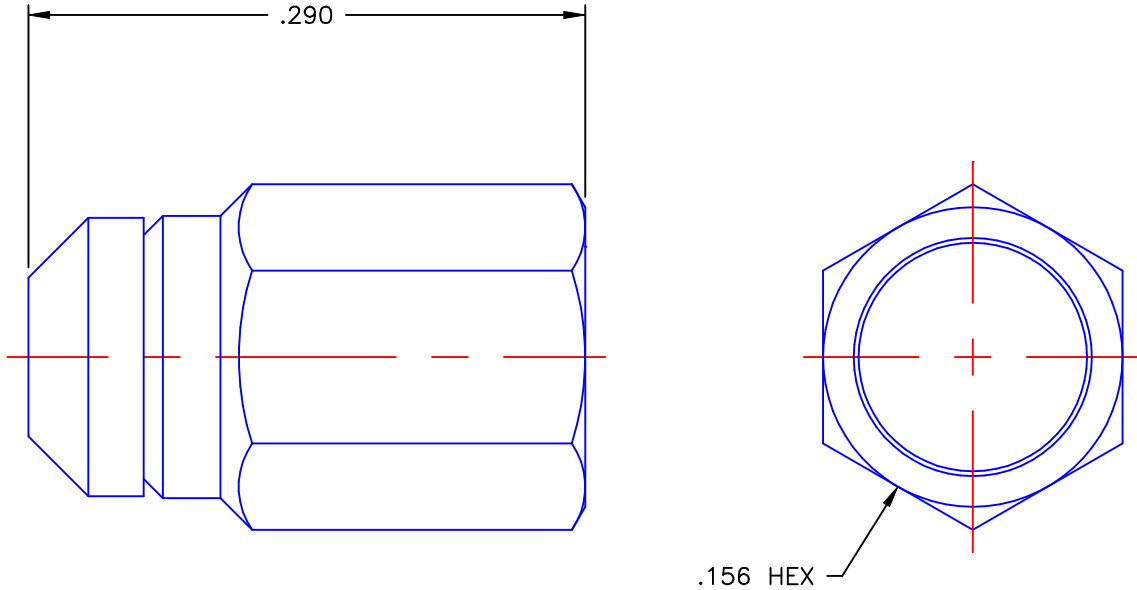


PROPRIETARY INFORMATION  
 NOT TO BE RELEASED  
 WITHOUT WRITTEN PERMISSION  
 FROM AN AUTHORIZED  
 REPRESENTATIVE OF  
 APPLIED ENGINEERING PRODUCTS

REVISIONS			
REV	DESCRIPTION	DATE	APPROVED
-	INITIAL RELEASE	08/16/99	A.M.




NOTES:

MATERIALS:

1. NUT = BERYLLIUM COPPER PER ASTM B196, ALLOY C17300, TEMPER TD04.
2. CAP = BRASS PER ASTM B16, ALLOY C36000, TEMPER H02.

FINISHES:

1. NUT & CAP = GOLD PLATE PER MIL-G-45204, TYPE II, CLASS 0, GRADE C, OVER .00010 TO .00020 COPPER STRIKE PER MIL-C-14550.

UNLESS OTHERWISE SPECIFIED DIMENSIONS ARE IN INCHES TOLERANCES ON		DWN: A.M.	DATE: 08/16/99	 <b>APPLIED ENGINEERING PRODUCTS</b> 104 John W. Murphy Dr. New Haven, CT 06513
		CHKD: G.L.	DATE: 08/16/99	
DECIMAL	ANGLE	APVD: D.N.	DATE: 08/16/99	
REFERENCE:		MATERIALS & FINISHES: SEE NOTES		SIZE: A FSCM NO.: 19505 DWG NO.: 7135-1002-002 REV: -
ORIGINATOR: A.M. DATE: 08/16/99		SCALE: 10:1		CODE: SHEET 1 OF 1

7135-1002-002