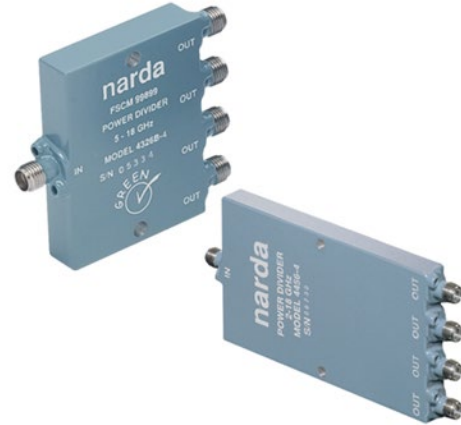


# Power Dividers

0.5-33 GHz

## Multi-Octave 2- and 4-Way Power Dividers

- Broadband Frequency Coverage from 0.5 to 33 GHz
- Excellent Phase and Amplitude Tracking
- Low Input VSWR
- High Isolation Between Output Ports
- Precision SMA or 2.92 mm Connectors



### Specifications

SMA (F) and 2.92 mm (F), 2-Way, 0.5 to 33 GHz, 30 W

FREQUENCY RANGE (GHz)	MODEL	CONNECTOR	BAND SEGMENTS (GHz)	VSWR (max.)		INSERTION LOSS (dB max.)	ISOLATION (dB min.)	AMPLITUDE BALANCE (dB)	PHASE BALANCE	AVERAGE POWER* (W)			WEIGHT	
				INPUT	OUTPUT					A	B	C	oz.	gr.
0.5-2.0	4321B-2	SMA (F)	0.5-2.0	1.25	1.15	0.6	22	0.2	2°	30	20	3	1.1	30
0.5-2.5	4322-2	SMA (F)	0.5-2.5	1.35	1.15	0.3	18	0.2	2°	30	20	3	2.0	55
0.8-2.2	4325-2	SMA (F)	0.8-2.2	1.25	1.15	0.6	23	0.2	2°	30	10	1	1.1	30
2-8	4324-2	SMA (F)	2-4	1.35	1.25	0.2	20	0.2	2°	30	10	1	1.2	35
			4-8	1.35	1.25	0.5	20	0.3	4°					
5-18	4326B-2	SMA (F)	5-12.4	1.35	1.30	0.4	19	0.2	3°	30	10	1	0.7	20
			12.4-18	1.40	1.35	0.6	19	0.3	6°					
2-18	4456-2	SMA (F)	2-8	1.30	1.25	0.5	20	0.2	3°	30	10	1	1.4	38
			8-18	1.40	1.40	1.2	19	0.3	6°					
1.7-26.5	4327C-2	2.92 mm (F)	1.7-2	1.50	1.50	1.1	19	0.3	6°	2	—	—	1.8	50
			2-18	1.40	1.35	1.4	21	0.3	6°					
			18-26.5	1.70	1.50	2.4	16	0.5	10°					
10-33	4328B-2**	2.92 mm (F)	10-18	1.50	1.50	1.5	15	0.5	6°	30	10	1	0.8	22
			18-33	2.00	2.00	1.5	15	0.5	12°					

SMA (F) and 2.92 mm (F), 4-Way, 0.5 to 18 GHz, 30 W

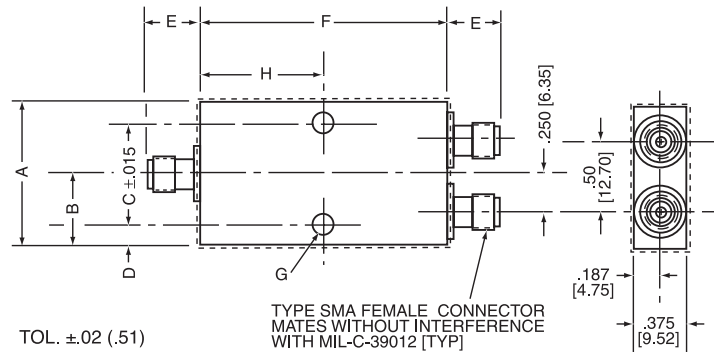
FREQUENCY RANGE (GHz)	MODEL	CONNECTOR	BAND SEGMENTS (GHz)	VSWR (max.)		INSERTION LOSS (dB max.)	ISOLATION (dB min.)	AMPLITUDE BALANCE (dB)	PHASE BALANCE	AVERAGE POWER* (W)			WEIGHT	
				INPUT	OUTPUT					A	B	C	oz.	gr.
0.5-2	4321C-4	SMA (F)	0.5-2	1.45	1.30	1.3	20	0.3	4°	30	10	3	2.9	80
0.5-2.5	4322-4	SMA (F)	0.5-2.5	1.45	1.25	0.7	20	0.3	4°	30	10	1	5.8	165
0.8-2.2	4325-4**	SMA (F)	0.8-2.2	1.25	1.20	0.9	22	0.3	3°	30	20	3	2.9	80
2-8	4324-4	SMA (F)	2-8	1.45	1.35	0.9	18	0.4	4°	30	10	1	4.3	120
5-18	4326B-4	SMA (F)	5-6	1.60	1.40	0.5	18	0.3	3°	30	10	1	2.2	60
			6-18	1.50	1.40	0.9	19	0.5	6°					
2-18	4456-4	SMA (F)	2-8	1.40	1.40	1.0	20	0.4	6°	30	10	1	4.4	125
			8-18	1.50	1.40	1.8	18	0.8	10°					

\* Average Power Rating into a load VSWR of (A) 1.2 to 1, (B) 2 to 1 and (C) ∞VSWR

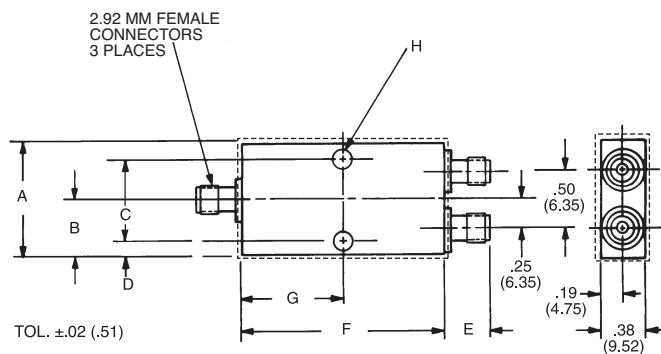
\*\* Custom-order basis: minimum quantity may apply

# Power Dividers

## Outline Drawings, 2-Way



MODEL	A	B	C $\pm 0.015$	D	E	F	G (Thru 2 Holes)	H
4321B-2	1.338 (33.98)	.669 (16.99)	1.146 (29.11)	.096 (2.44)	.375 (9.52)	1.204 (30.58)	.104 +0.004/-0.002	.602 (15.29)
4322-2	1.70 (43.18)	.85 (21.59)	1.512 (32.40)	.09 (2.38)	.375 (9.52)	1.56 (39.69)	.104 +0.004/-0.002	.78 (19.84)
4324-2	1.000 (25.40)	.500 (12.70)	.812 (20.62)	.094 (2.39)	.375 (9.52)	1.688 (42.87)	.104 +0.004/-0.002	.844 (21.44)
4326B-2	1.000 (25.40)	.500 (12.70)	.812 (20.62)	.094 (2.39)	.375 (9.52)	.750 (19.05)	.104 +0.004/-0.002	.375 (9.52)
4325-2	1.338 (33.98)	.669 (16.99)	1.146 (29.11)	.096 (2.44)	.375 (9.52)	1.204 (30.58)	.104 +0.004/-0.002	.602 (15.29)
4456-2	1.000 (25.40)	.500 (12.70)	.700 (17.78)	.150 (3.81)	.375 (9.52)	1.750 (44.45)	.146 $\pm 0.003$	.875 (22.22)

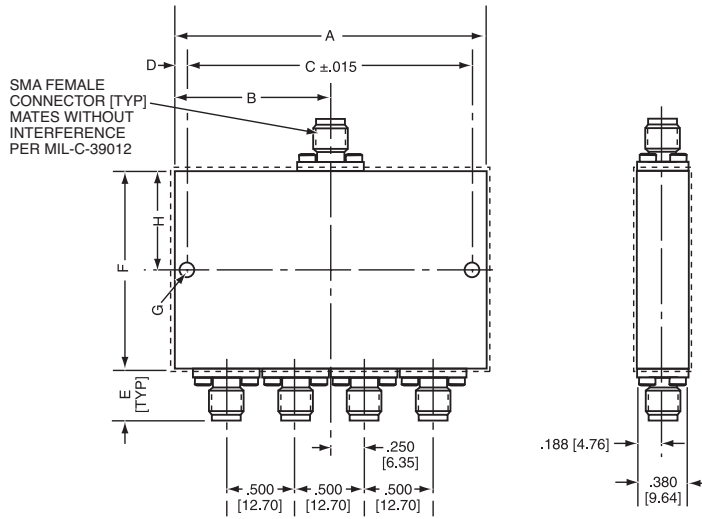


MODEL	A	B	C $\pm 0.015$	D	E	F	G	H (2 Holes)
4327C-2	1.00 (25.4)	.50 (12.7)	.700 (17.78)	.15 (3.81)	.38 (9.52)	1.40 (35.56)	.70 (17.78)	.146 $\pm 0.005$
4328B-2	1.00 (25.4)	.50 (12.7)	.812 (20.62)	.09 (2.39)	.38 (9.52)	.75 (19.05)	.38 (9.65)	.104 +0.004/-0.002

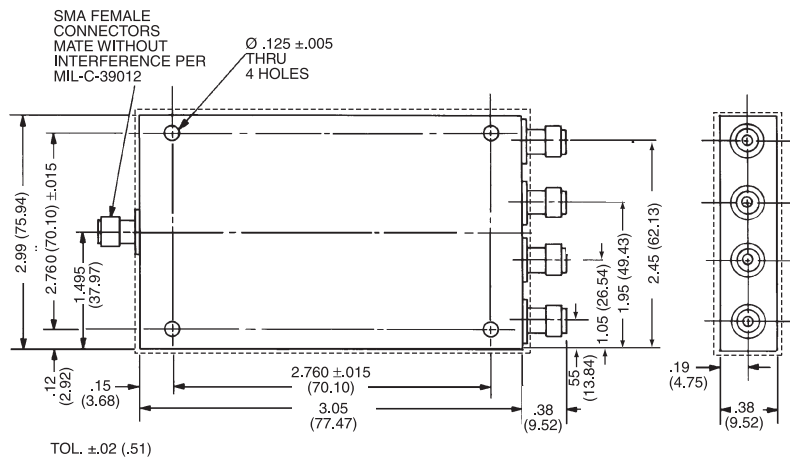
Allow .020 for sealant build-up per surface.  
Dimensions in inches (mm in parentheses), unless otherwise specified.

# Power Dividers

## Outline Drawings, 4-Way



MODEL	A	B	C ±.015	D	E	F	G (Thru 2 Holes)	H
4321C-4	2.343 (59.51)	1.171 (29.74)	2.153 (54.68)	.095 (2.41)	.375 (9.52)	2.11 (53.62)	.104 +.004/-0.002	1.055 (26.79)
4324-4	1.940 (49.27)	.970 (24.63)	1.688 (42.87)	.126 (3.20)	.375 (9.52)	3.448 (87.57)	.146	1.740 (44.20)
4325-4	2.343 (59.51)	1.171 (29.74)	2.153 (54.68)	.095 (2.41)	.380 (9.65)	2.110 (53.62)	.104 +.004/-0.002	1.055 (26.79)
4326B-4	1.940 (49.27)	.970 (24.63)	1.688 (42.87)	.126 (3.20)	.375 (9.52)	1.418 (36.01)	.146	.709 (18.00)
4456-4	1.940 (49.27)	.970 (24.63)	1.688 (42.87)	.126 (3.20)	.375 (9.52)	3.448 (87.57)	.146	1.724 (43.78)



MODEL 4322-4

Allow .020 for sealant build-up per surface.  
 Dimensions in inches (mm in parentheses), unless otherwise specified.