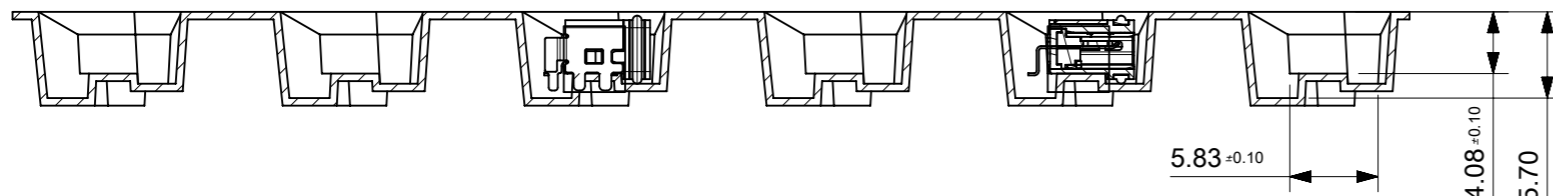
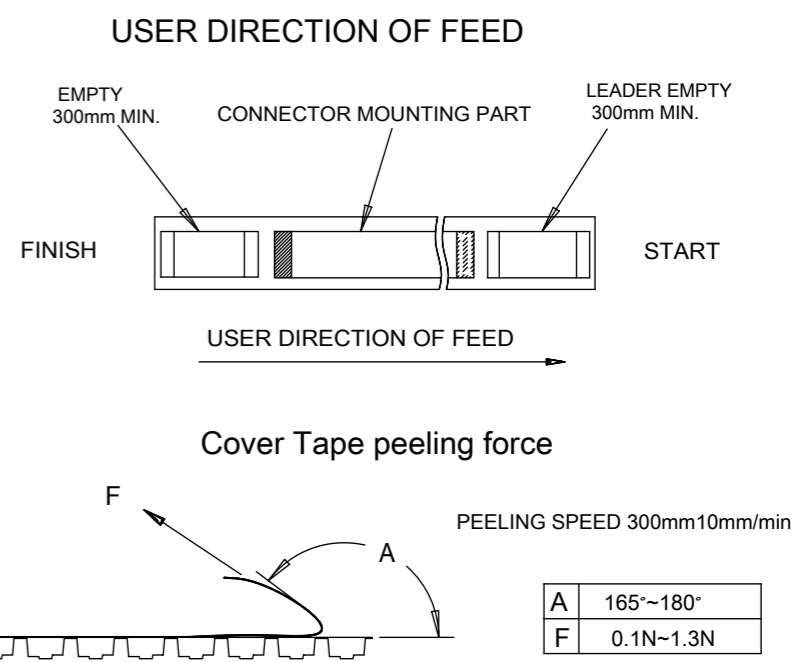


SECTION B-B

REEL



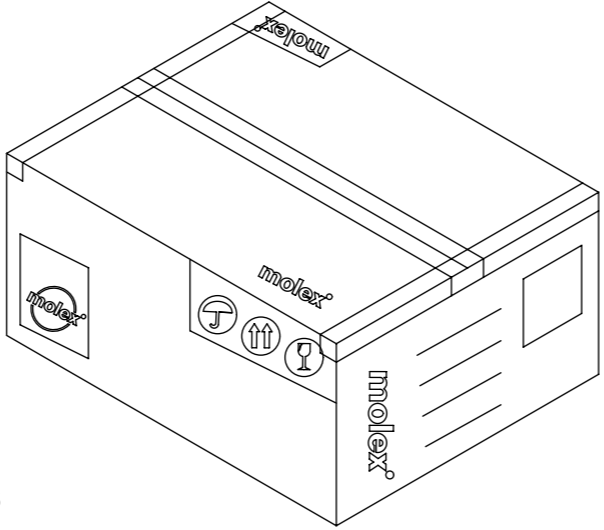
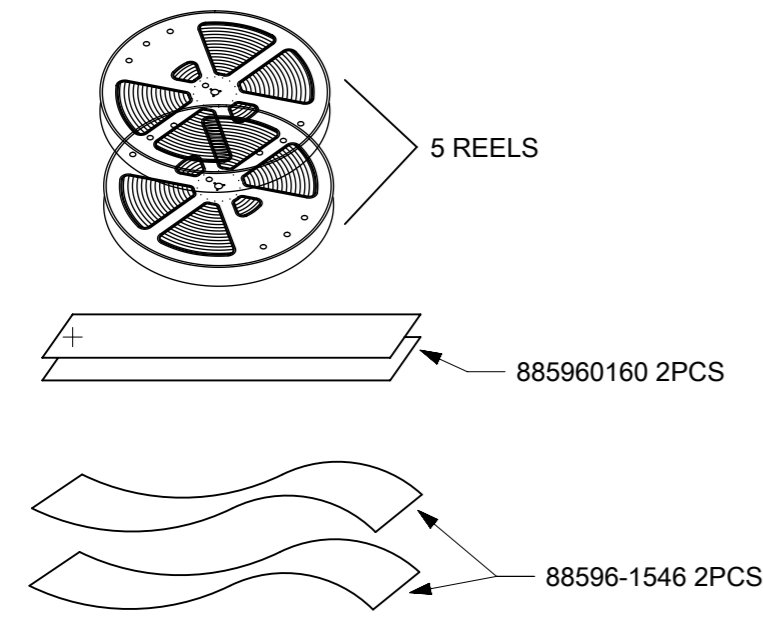
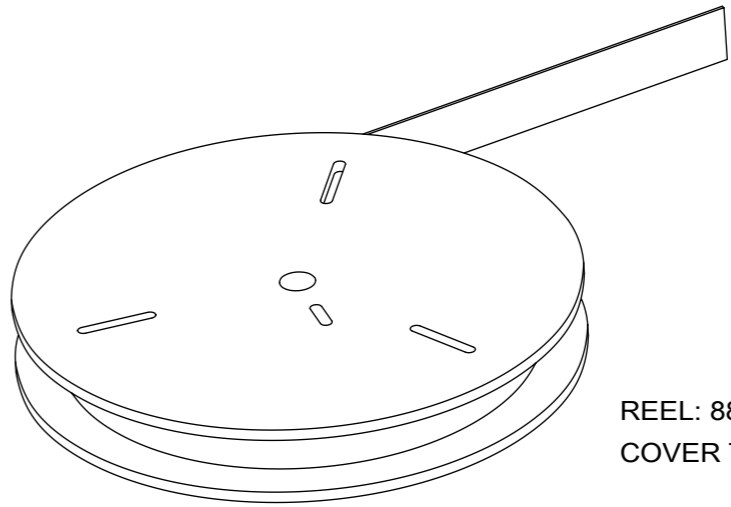
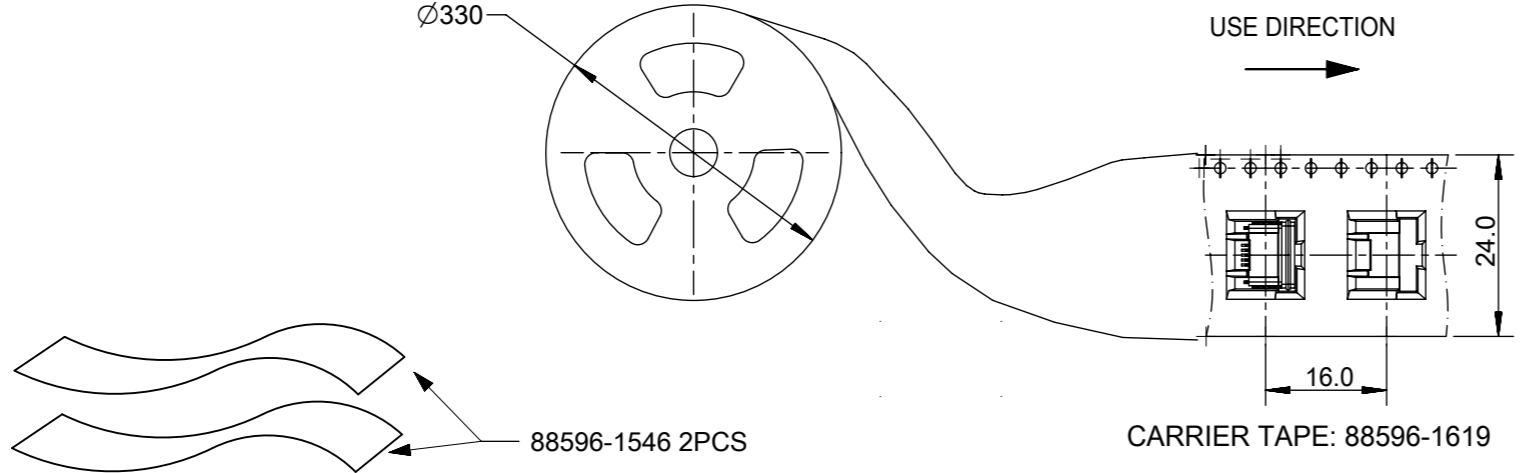
SECTION A-A



NOTES:

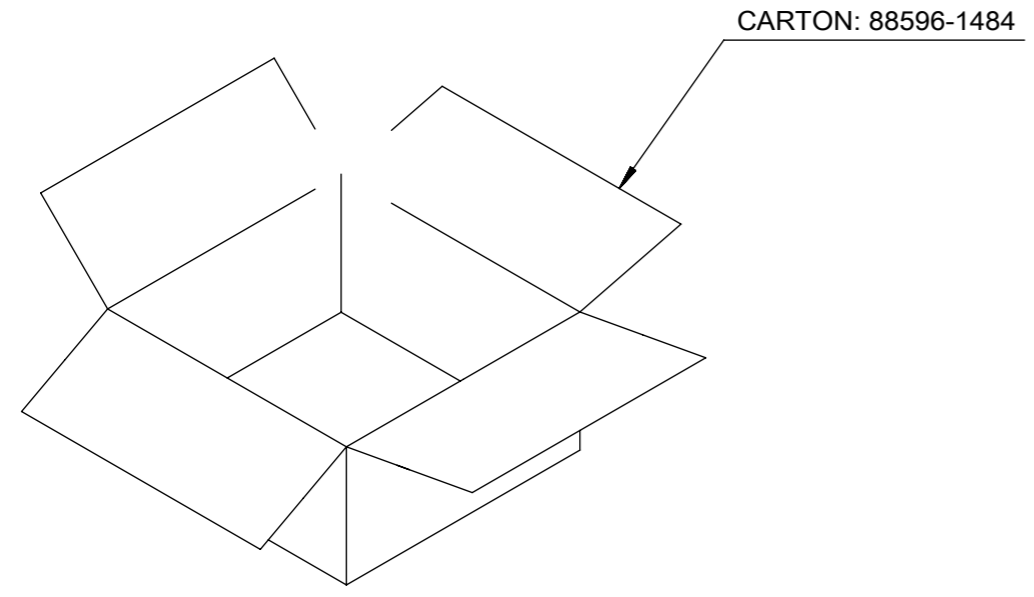
1. MATERIAL: 0.50±0.05mm PS/CLEAR.
2. GENERAL TOLERANCE: ±0.20mm UNLESS OTHERWISE STATED.
3. DRAFT ANGLE: 5° MAXIMUM TYP.
4. UNLESS OTHERWISE SPECIFIED RADIUS: 0.30mm MAXIMUM.
5. MAXIMUM CUMULATIVE TOLERANCE FOR 10 SOCKETS HOLE PITCH: ±0.20mm.
6. NO HIT MARKS, BRIDGES AND CRACKS ALLOWED.
7. CAMBERS DON'T EXCEED 1.0mm IN 250mm.
8. CARRIER TAPE PART NUMBER: 88596-1619.
9. COMPLIANT TO RoHS DIRECTIVE 2011/65/EU AND ELV 2000/53/EC.

QUALITY SYMBOLS ▽ = 0 ▽ = 0 ▽ = 0 ▼ = 0 ▽ = 0 ⊗ = 0 ■ = 0 ▽ = 0	THIS DRAWING CONTAINS INFORMATION THAT IS PROPRIETARY TO MOLEX ELECTRONIC TECHNOLOGIES, LLC AND SHOULD NOT BE USED WITHOUT WRITTEN PERMISSION				
	EC NO: 171707 DRWN: TLI97 CHK'D: RZHANG APPR: RZHANG	2018/02/05 2018/02/07 2018/02/07	GENERAL TOLERANCES (UNLESS SPECIFIED) ANGULAR TOL ± 3.0 ° 4 PLACES ± 3 PLACES ± 2 PLACES ± 0.2 1 PLACE ± 0.25 0 PLACES ± DRAFT WHERE APPLICABLE MUST REMAIN WITHIN DIMENSIONS	DIMENSION UNITS: mm SCALE: 2:1 DRWN BY: TLI97 DATE: 2017/06/14 CHK'D BY: RZHANG DATE: 2017/08/01 APPR BY: RZHANG DATE: 2017/08/01 DRAWING SIZE: A3 THIRD ANGLE PROJECTION	
	PACKAGING DRAWING FOR USB, MICRO-B WATER PROOF			PACKAGING DESIGN DRAWING	
	SERIES: 204926	MATERIAL NUMBER: SEE TABLE	CUSTOMER: GENERAL MARKET	DOCUMENT NUMBER: 2049263333 DOC TYPE: PDD DOC PART: 000 SHEET NUMBER: 1 OF 2	



- NOTES:
1. QUANTITY: 700PCS/REEL.
 2. 5 REELS IN A CARTON.
 3. COMPLIANT TO RoHS DIRECTIVE 2011/65/EU AND ELV 2000/53/EC.

204926-1104	3,500PCS	700PCS	5
204926-1103	3,500PCS	700PCS	5
PART NUMBER	PARTS PER SHIPPING CARTON (S.P.Q)	PARTS PER REEL	TOTAL REELS PER CARTON



QUALITY SYMBOLS A = 0 E = 0 EP = 0 ▼ = 0 C = 0 ⊗ = 0 ■ = 0 ▽ = 0	THIS DRAWING CONTAINS INFORMATION THAT IS PROPRIETARY TO MOLEX ELECTRONIC TECHNOLOGIES, LLC AND SHOULD NOT BE USED WITHOUT WRITTEN PERMISSION		DIMENSION UNITS mm	SCALE 1:1				
	EC NO: 171707 DRWN: TL197 CHK'D: RZHANG APPR: RZHANG	2018/02/05 2018/02/07 2018/02/07	GENERAL TOLERANCES (UNLESS SPECIFIED) ANGULAR TOL ± 3.0 ° 4 PLACES ± 3 PLACES ± 2 PLACES ± 0.2 1 PLACE ± 0.25 0 PLACES ± DRAFT WHERE APPLICABLE MUST REMAIN WITHIN DIMENSIONS	DRWN BY TL197				DATE 2017/06/14
		DRWD BY RZHANG	DATE 2017/08/01	SERIES 204926	MATERIAL NUMBER SEE TABLE	CUSTOMER GENERAL MARKET		
		DRAWING SIZE A3	THIRD ANGLE PROJECTION		DOCUMENT NUMBER 2049263333	DOC TYPE PDD	DOC PART 000	SHEET NUMBER 2 OF 2