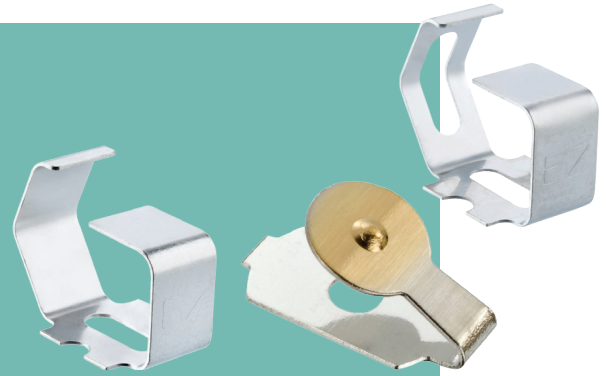


# Spring Contacts

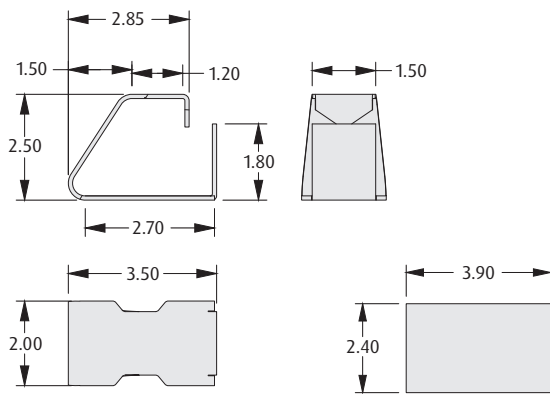
## Grounding/RFI Contacts

- Packaged in standard (EIA 481) Tape & Reel format.
- Spring contacts maintain a positive force and stable electrical contact.
- Small PCB footprint.
- Multi-Directional contacts can be used in either vertical or horizontal orientations.



SPRING CONTACTS

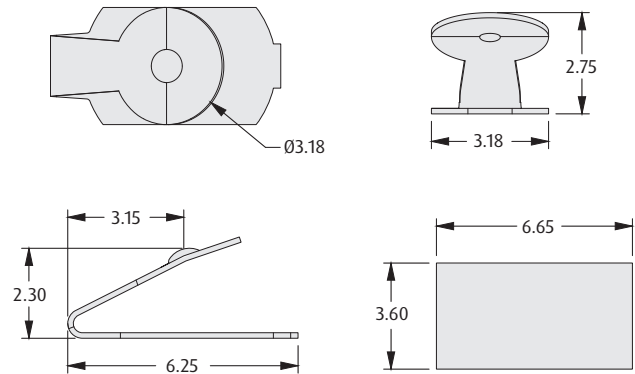
### 2.5mm HIGH



Recommended  
PC Board Pattern

ORDER CODE	FINISH
S7071-46R	Tin

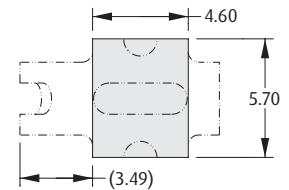
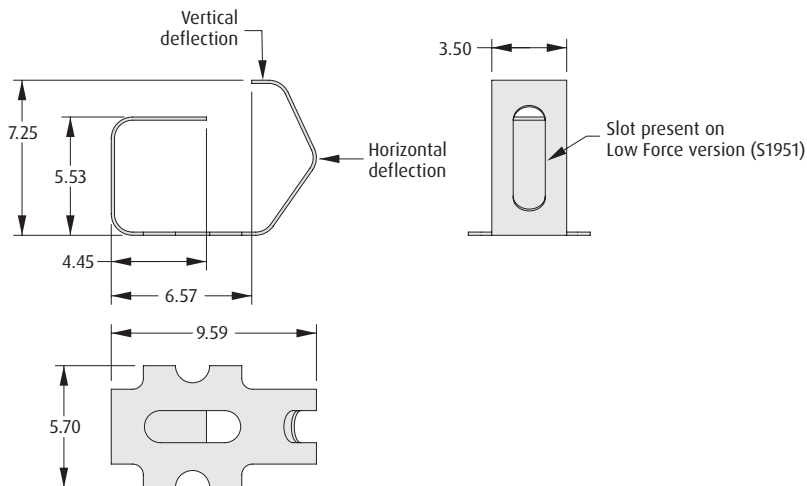
### 2.75mm HIGH



Recommended  
PC Board Pattern

ORDER CODE	FINISH
S7081-42R	Gold + Tin

### MULTI-DIRECTION



Recommended PC Board Pattern

ORDER CODE	TYPE	FINISH
S1941-42R	Normal Force	Gold + Tin
S1941-46R	Normal Force	Tin
S1951-46R	Low Force	Tin

All dimensions in mm.